

Stainless Steel- Three-lobe knobs

Hygienic Design

SPECIFICATION

Stainless Steel

- AISI 316 L
- matte (Ra < 0.8 µm) **MT**
- polished (Ra < 0.8 µm) **PL**

Sealing ring

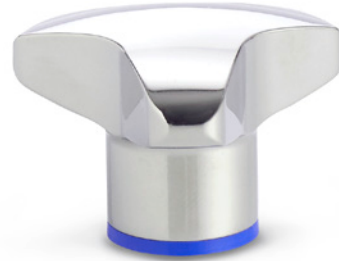
H-NBR **H**

temperature resistant -25 °C to + 150 °C

EPDM **E**

temperature resistant -40 °C to + 120 °C

- blue
- Hardness 85±5 Shore A
- FDA compliant

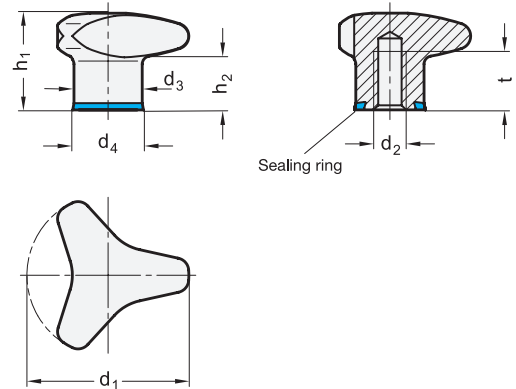


INFORMATION

GN 5445 Stainless Steel-Three-lobe knobs are intended for use in hygiene areas. The sealed mounting surface enables fastening without dead spaces. The high quality finish as well as the large corner radii and closed surfaces prevent adherence of dirt and facilitate cleaning.

TECHNICAL INFORMATION

- Stainless Steel characteristics (see page A26)
- Elastomer characteristics (see page A32)



GN 5445-H

STAINLESS STEEL

Description	d1	d2	d3	d4	h1	h2	t min.	⚖
GN 5445-40-M6-MT-H	40	M 6	18	18.8	26	15	12	75
GN 5445-40-M6-PL-H	40	M 6	18	18.8	26	15	12	75
GN 5445-40-M8-MT-H	40	M 8	18	18.8	26	15	15	71
GN 5445-40-M8-PL-H	40	M 8	18	18.8	26	15	15	71
GN 5445-50-M8-MT-H	50	M 8	21	21.8	30	17	15	121
GN 5445-50-M8-PL-H	50	M 8	21	21.8	30	17	15	121
GN 5445-50-M10-MT-H	50	M 10	21	21.8	30	17	18	117
GN 5445-50-M10-PL-H	50	M 10	21	21.8	30	17	18	117

GN 5445-E

STAINLESS STEEL

Description	d1	d2	d3	d4	h1	h2	t min.	⚖
GN 5445-40-M6-MT-E	40	M 6	18	18.8	26	15	12	75
GN 5445-40-M6-PL-E	40	M 6	18	18.8	26	15	12	75
GN 5445-40-M8-MT-E	40	M 8	18	18.8	26	15	15	71
GN 5445-40-M8-PL-E	40	M 8	18	18.8	26	15	15	71
GN 5445-50-M8-MT-E	50	M 8	21	21.8	30	17	15	121
GN 5445-50-M8-PL-E	50	M 8	21	21.8	30	17	15	121
GN 5445-50-M10-MT-E	50	M 10	21	21.8	30	17	18	117
GN 5445-50-M10-PL-E	50	M 10	21	21.8	30	17	18	117