

## Stainless Steel-Star knobs

### Hygienic Design

#### SPECIFICATION

Stainless Steel

- AISI 316 L (A4)
- matte (Ra < 0.8 μm) **MT**
- polished (Ra < 0.8 μm) **PL**

Sealing ring

H-NBR **H**

temperature resistant -25 °C to +150 °C

EPDM **E**

temperature resistant -40 °C to +120 °C

- blue

- Hardness 85±5 Shore A

- FDA compliant

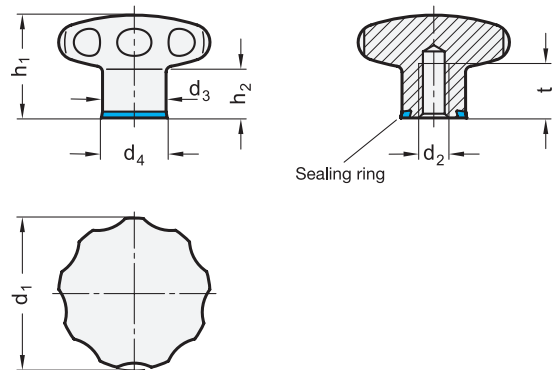


#### INFORMATION

GN 5435 Stainless Steel-Star knobs are intended for use in hygienic areas. The sealed mounting surface enables fastening without dead spaces. The high quality finish and the large corner radii prevent adherence of dirt and facilitate cleaning.

#### TECHNICAL INFORMATION

- Stainless Steel characteristics (see page A26)
- Elastomer characteristics (see page A32)



#### GN 5435-H

STAINLESS STEEL

Description	d1	d2	d3	d4	h1	h2	t min.	⚖
GN 5435-40-M6-MT-H	40	M 6	18	18.8	30.5	15	12	136
GN 5435-40-M6-PL-H	40	M 6	18	18.8	30.5	15	12	136
GN 5435-40-M8-MT-H	40	M 8	18	18.8	30.5	15	15	132
GN 5435-40-M8-PL-H	40	M 8	18	18.8	30.5	15	15	132
GN 5435-50-M8-MT-H	50	M 8	21	21.8	34	17	15	231
GN 5435-50-M8-PL-H	50	M 8	21	21.8	34	17	15	231
GN 5435-50-M10-MT-H	50	M 10	21	21.8	34	17	18	226
GN 5435-50-M10-PL-H	50	M 10	21	21.8	34	17	18	226

#### GN 5435-E

STAINLESS STEEL

Description	d1	d2	d3	d4	h1	h2	t min.	⚖
GN 5435-40-M6-MT-E	40	M 6	18	18.8	30.5	15	12	136
GN 5435-40-M6-PL-E	40	M 6	18	18.8	30.5	15	12	136
GN 5435-40-M8-MT-E	40	M 8	18	18.8	30.5	15	15	132
GN 5435-40-M8-PL-E	40	M 8	18	18.8	30.5	15	15	132
GN 5435-50-M8-MT-E	50	M 8	21	21.8	34	17	15	231
GN 5435-50-M8-PL-E	50	M 8	21	21.8	34	17	15	231
GN 5435-50-M10-MT-E	50	M 10	21	21.8	34	17	18	226
GN 5435-50-M10-PL-E	50	M 10	21	21.8	34	17	18	226