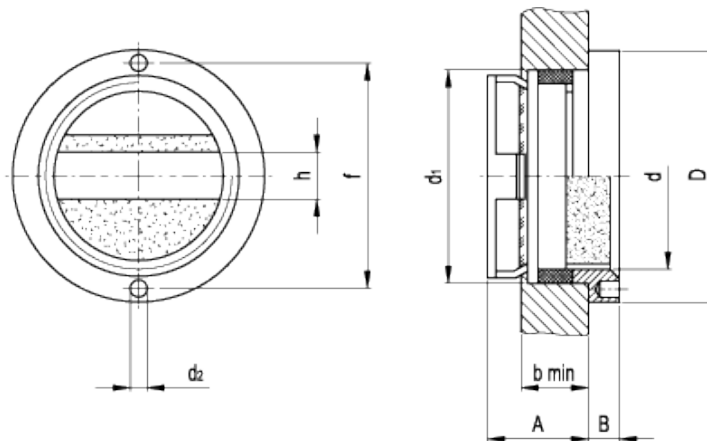


GN 537

Oil level indicators



technical informations

Material

Aluminium.

Window

Plastic (PMMA) glass, resistant to temperatures up to 80°C.

Seal

NBR rubber (PERBUNAN).

Contrast screen

White plastic.

- Execution A: without level limit indicator mask.
- Execution B: with red oil level limit indicator.

Instructions of use

For installing GN 537 oil level sights no screw thread is required.

The oil level sight is inserted into the hole d1 to h11. By simply tightening the ring nut using the pin key the seal is pressed against the contact surface which, at the same time, will hold the sight glass in position. For removal reverse the procedure. Their use is limited to non-pressurised or even slightly pressurised tanks.

Standard Elements	Main dimensions									Weight	Pin key for installation
Description	d	d ₁	A	B	D	d ₂	b	f _{±0.1}	h	g	
GN 537-16-20-A	16	20	15	3.5	25	2.2	9	21	5	8	GN 537.1-21
GN 537-22-28-A	22	28	15	4.5	35	3	10	30	6	17	GN 537.1-30
GN 537-32-38-A	32	38	18	5.5	45	3	12	40	8	34	GN 537.1-40
GN 537-50-58-A	50	58	22	5.5	64	3	14	58.5	10	80	GN 537.1-58.5
GN 537-16-20-B	16	20	15	3.5	25	2.2	9	21	5	8	GN 537.1-21
GN 537-22-28-B	22	28	15	4.5	35	3	10	30	6	17	GN 537.1-30
GN 537-32-38-B	32	38	18	5.5	45	3	12	40	8	34	GN 537.1-40
GN 537-50-58-B	50	58	22	5.5	64	3	14	58.5	10	80	GN 537.1-58.5



STANDARD MACHINE ELEMENTS WORLDWIDE