

## Stainless Steel-Triangular knobs

### SPECIFICATION

#### Types

- Type **E**: with threaded blind bore
- Type **D**: with threaded through bore
- Type **C**: with plain blind bore H7

Stainless Steel precision casting

- AISI CF-8
- matt shot-blasted **MT**
- highly polished **PL** (only type D and E)

### INFORMATION

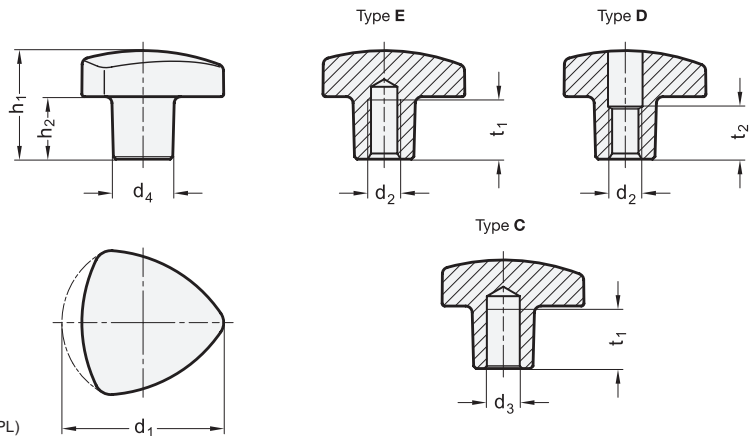
Stainless Steel-Triangular knobs GN 5339.5 have been specially designed for use on machinery in the food industry.

The smooth and enclosed areas as well as the corner radii comply with the requirements of hygiene standards.

Original ELESA-Design, manufactured in metal version under permission of ELESA s.p.a.

### TECHNICAL INFORMATION

- Cross holes GN 110 (see page A17)
- ISO-Fundamental Tolerances (see page A21)
- Stainless Steel characteristics (see page A26)



\* Complete with surface index of the triangular knob (MT or PL)

**MT**      **PL**  
Matt shot-blasted      Highly polished

### GN 5339.5

**STAINLESS STEEL**

Description	d1	d2	d3 H7	d4	h1 ≈	h2 ≈	t1 min.	t2	⚠
GN 5339.5-32-B6-C-MT	32	-	B 6	12	21	12	12	-	43
GN 5339.5-40-B8-C-MT	40	-	B 8	14	26	14	15	-	88
GN 5339.5-50-B10-C-MT	50	-	B 10	18	33	19	18	-	148
GN 5339.5-60-B12-C-MT	60	-	B 12	20	41	23	22	-	286
GN 5339.5-32-M6-D-*	32	M 6	-	12	21	12	-	10	40
GN 5339.5-40-M8-D-*	40	M 8	-	14	26	14	-	13	82
GN 5339.5-50-M10-D-*	50	M 10	-	18	33	19	-	16	100
GN 5339.5-60-M12-D-*	60	M 12	-	20	41	23	-	20	275
GN 5339.5-32-M5-E-*	32	M 5	-	12	21	12	10	-	44
GN 5339.5-32-M6-E-*	32	M 6	-	12	21	12	12	-	40
GN 5339.5-40-M6-E-*	40	M 6	-	14	26	13	12	-	85
GN 5339.5-40-M8-E-*	40	M 8	-	14	26	14	15	-	100
GN 5339.5-50-M8-E-*	50	M 8	-	18	32	18	15	-	160
GN 5339.5-50-M10-E-*	50	M 10	-	18	33	19	18	-	151
GN 5339.5-60-M10-E-*	60	M 10	-	20	41	23	18	-	295
GN 5339.5-60-M12-E-*	60	M 12	-	20	41	23	22	-	295