

Star knobs

Aluminium

SPECIFICATION

Types

- Type **A**: without bore
- Type **C**: with plain blind bore H7
- Type **D**: with threaded through bore
- Type **E**: with threaded blind bore

Aluminium

- matt finish (ground), flash mark not visible **MT**
- polished **PL**

Type **A** (without bore) is only available with a matt finish (**MT**)

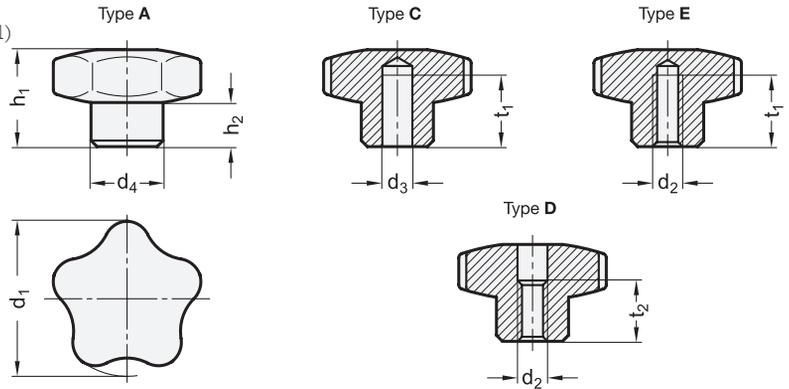


INFORMATION

Star knobs GN 5336 are forged, therefore a close grain structure is maintained providing a high tensile strength and a smooth surface. Original ELESA design, now produced in metal in agreement with ELESA s.p.a.

TECHNICAL INFORMATION

- Cross holes GN 110 (see page A17)
- ISO-Fundamental Tolerances (see page A21)



* Complete with surface index of the star knob (MT or PL)

MT Matt finish
PL Polished

GN 5336

Description	d1	d2	d3 H7	d4 -0.5	h1	h1 -1	h2 ≈	t1 min.	t2	ΔΔ
GN 5336-40-A-MT	40	-	-	15	-	26	12.5	-	-	31
GN 5336-50-A-MT	50	-	-	19	-	33	16	-	-	69
GN 5336-60-A-MT	60	-	-	21	-	41	20	-	-	101
GN 5336-70-A-MT	70	-	-	26	-	47	23	-	-	163
GN 5336-40-B8-C-*	40	-	B 8	15	25	-	12.5	15	-	32
GN 5336-50-B10-C-*	50	-	B 10	19	32	-	16	18	-	62
GN 5336-60-B12-C-*	60	-	B 12	21	40	-	20	22	-	110
GN 5336-70-B16-C-*	70	-	B 16	26	46	-	23	28	-	144
GN 5336-40-M8-D-*	40	M 8	-	15	25	-	12.5	-	15	32
GN 5336-50-M10-D-*	50	M 10	-	19	32	-	16	-	20	60
GN 5336-60-M12-D-*	60	M 12	-	21	40	-	20	-	26	90
GN 5336-70-M16-D-*	70	M 16	-	26	46	-	23	-	32	174
GN 5336-40-M6-E-*	40	M 6	-	15	25	-	12.5	15	-	35
GN 5336-40-M8-E-*	40	M 8	-	15	25	-	12.5	15	-	33
GN 5336-50-M8-E-*	50	M 8	-	19	32	-	16	18	-	63
GN 5336-50-M10-E-*	50	M 10	-	19	32	-	16	18	-	61
GN 5336-60-M10-E-*	60	M 10	-	21	40	-	20	22	-	115
GN 5336-60-M12-E-*	60	M 12	-	21	40	-	20	22	-	100
GN 5336-70-M12-E-*	70	M 12	-	26	46	-	23	28	-	174
GN 5336-70-M16-E-*	70	M 16	-	26	46	-	23	28	-	165