

Stainless Steel-Star knobs

Stainless Steel AISI 316L (A4)

SPECIFICATION

Types

- Type **A**: without bore
- Type **E**: with threaded blind bore
- Type **D**: with threaded through bore
- Type **C**: with plain blind bore H7

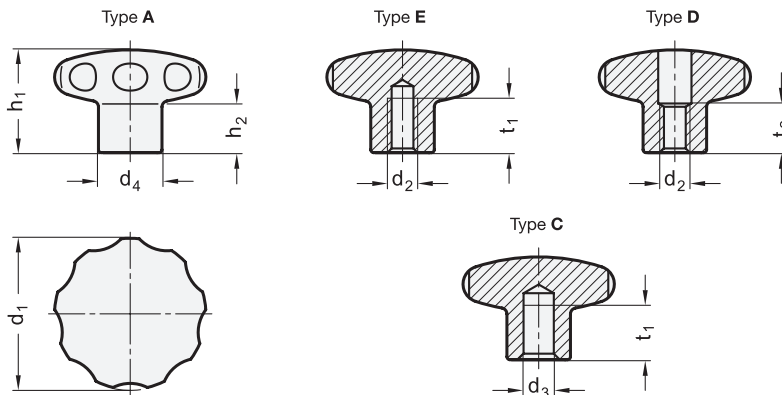
Stainless Steel AISI 316L (A4)
matt shot-blasted

INFORMATION

Stainless Steel-Star knobs GN 5335.4 are a special development intended for the food processing machinery industry. The smooth and enclosed areas as well as the large corner radii comply with the requirements of hygiene standards.

TECHNICAL INFORMATION

- Cross holes GN 110 (see page A17)
- ISO-Fundamental Tolerances (see page A21)
- Stainless Steel characteristics (see page A26)



GN 5335.4

STAINLESS STEEL

Description	d1	d2	d3 H7	d4	h1	h2	t1 min.	t2	△
GN 5335.4-40-A	40	-	-	18	30.5	15	-	-	130
GN 5335.4-50-A	50	-	-	21	34	17	-	-	220
GN 5335.4-60-A	60	-	-	25	39	18	-	-	388
GN 5335.4-40-B8-C	40	-	B 8	18	30.5	15	15	-	125
GN 5335.4-50-B10-C	50	-	B 10	21	34	17	18	-	205
GN 5335.4-60-B12-C	60	-	B 12	25	39	18	22	-	366
GN 5335.4-40-M6-D	40	M 6	-	18	30.5	15	-	13	132
GN 5335.4-40-M8-D	40	M 8	-	18	30.5	15	-	13	150
GN 5335.4-50-M8-D	50	M 8	-	21	34	17	-	16	225
GN 5335.4-50-M10-D	50	M 10	-	21	34	17	-	16	205
GN 5335.4-60-M10-D	60	M 10	-	25	39	18	-	20	360
GN 5335.4-60-M12-D	60	M 12	-	25	39	18	-	20	366
GN 5335.4-40-M6-E	40	M 6	-	18	30.5	15	12	-	140
GN 5335.4-40-M8-E	40	M 8	-	18	30.5	15	15	-	225
GN 5335.4-50-M8-E	50	M 8	-	21	34	17	15	-	150
GN 5335.4-50-M10-E	50	M 10	-	21	34	17	18	-	218
GN 5335.4-60-M10-E	60	M 10	-	25	39	18	18	-	367
GN 5335.4-60-M12-E	60	M 12	-	25	39	18	22	-	367

