

Stainless Steel-Star knobs

with loss protection

SPECIFICATION

Types

- Type **A**: only with retaining ring
- Type **H**: with retaining cable
- Type **K**: with ball chain

Knob

Stainless Steel AISI 316L (A4)

Hub welded

matte, shot blasted

Threaded stud / Bushing

Stainless Steel AISI 304

Retaining ring GN 111.6 (see page 903)

Stainless Steel AISI 301

Ball chain GN 111.5 (see page 905) (Type K)

Stainless Steel AISI 301

Retaining cable GN 111.2 (see page 906) (Type H)

Stainless Steel

coated with clear plastic



INFORMATION

Stainless Steel-Star knobs GN 5334.13 can be captive-attached to a base element with the help of a ball chain or a retaining cable.

The star knobs are supplied ready assembled (with retaining ring and ball chain or retaining cable).

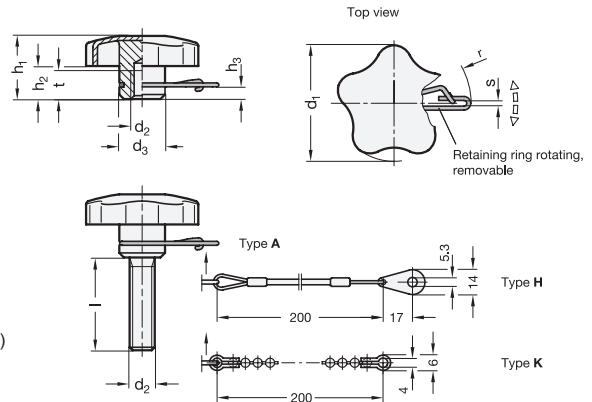
Original ELESA design, now produced in metal in agreement with ELESA S.p.A.

ON REQUEST

- Ball chains / Retaining cables with other lengths
- with spiral retaining cable GN 111.4 (see page 908)
- other GN / DIN standards with loss protection

TECHNICAL INFORMATION

- Stainless Steel characteristics (see page A26)



* Complete with type index of the Stainless Steel-Star knobs (A, H or K)

A	H	K
only with retaining ring	with retaining cable	with ball chain

GN 5334.13

STAINLESS STEEL

Description	d1	d2	l	d3	h1	h2	h3	r ≈	s	t	△
GN 5334.13-40-M8-*	40	M 8	-	14	24	12	3.2	22.3	2.8	15	37
GN 5334.13-50-M10-*	50	M 10	-	18	30	17	3.9	29.6	3.2	18	69
GN 5334.13-60-M12-*	60	M 12	-	20	38	20	3.9	30.7	3.2	22	113
GN 5334.13-40-M8-20-*	40	M 8	20	14	24	12	-	22.3	2.8	-	50
GN 5334.13-40-M8-30-*	40	M 8	30	14	24	12	-	22.3	2.8	-	53
GN 5334.13-40-M8-40-*	40	M 8	40	14	24	12	-	22.3	2.8	-	56
GN 5334.13-50-M10-20-*	50	M 10	20	18	30	17	-	29.6	3.2	-	92
GN 5334.13-50-M10-30-*	50	M 10	30	18	30	17	-	29.6	3.2	-	97
GN 5334.13-50-M10-40-*	50	M 10	40	18	30	17	-	29.6	3.2	-	102
GN 5334.13-60-M12-20-*	60	M 12	20	20	38	20	-	30.7	3.2	-	148
GN 5334.13-60-M12-30-*	60	M 12	30	20	38	20	-	30.7	3.2	-	156
GN 5334.13-60-M12-40-*	60	M 12	40	20	38	20	-	30.7	3.2	-	163
GN 5334.13-60-M12-50-*	60	M 12	50	20	38	20	-	30.7	3.2	-	171

Weight type A