

Stainless Steel- Retaining magnets

rod-shaped, with gummed adhesive surface

SPECIFICATION

Housing
Stainless Steel

Material of the magnet
NdFeB **ND**
temperature resistant up to 80 °C

Rubber
Elastomer (TPE)
80 shore A ≈
black

INFORMATION

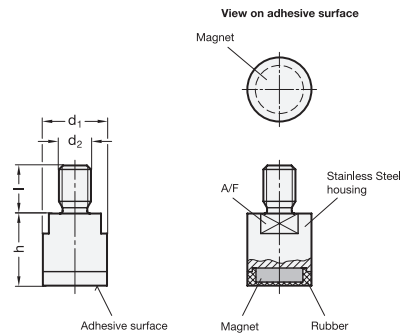
Stainless Steel-Retaining magnets GN 52.5 are a shielded magnetic system with gummed adhesive surface.

They are preferably used for sensitive surfaces. Also, the coefficient of friction is increased, with the effect that high lateral retaining forces are achieved.

- More information to retaining magnets (see page 2022)

TECHNICAL INFORMATION

- Elastomer characteristics (see page A32)



GN 52.5

STAINLESS STEEL

Description	d1	d2	h	l	A/F	Nominal adhesive forces in N	⚖️
GN 52.5-ND-13-M6	13	M 6	16	10	11	15	16
GN 52.5-ND-16-M8	16	M 8	18	12	13	23	29
GN 52.5-ND-20-M10	20	M 10	20	14	17	46	52

