

Latches

with Extended Housing, Operation with Socket Keys / with Operating Elements, Lockable

SPECIFICATION

Types

- Type **DK**: With triangular spindle
- Type **VK7**: With square spindle
- Type **VK8**: With square spindle
- Type **SCH**: With slot
- Type **VDE**: With double bit
- Type **SCK**: Operation with wing knob (same lock)
- Type **SCT**: Operation with T-Handle (same lock)

Version in Zinc die casting

Lock housing

Zinc die casting **ZD**

Housing collar

Powder coated

Black, RAL 9005, textured finish **SW**

Operating elements

Plastic (Polyamide PA)

Black, matte finish

Key

Nickel silver with plastic hand piece

Other parts

Steel, zinc plated, blue passivated

Protection class IP 65

Version in Stainless Steel

Lock housing

Stainless steel **NI**

- AISI 316 (at $h_1 = 30$)

- AISI 303 (at $h_1 = 50$)

- Plain finish **BL**

Latch arm

Stainless steel AISI 304

Other parts

Stainless steel AISI 303

Protection class IP 65

INFORMATION

Latches GN 515 are identical to standard latches GN 115 except for the extended housing. They are operated with a rotation limited to 90°, which moves the latch arm into the locked position behind the frame. The bevels of the latch arm ease the closing of the door. Thanks to the stainless steel material, the latches are optimally suited for use in corrosive environments.

By installing latch arms (zinc die casting) with different bend profiles, the latch distance A can be varied from 16 to 92 mm depending on the housing height h_1 , while the extended housing is suitable for a door thickness s up to 50 mm.

By installing latch arms (stainless steel version) with different bend profiles, the latch distance A can be varied from 18 to 82 mm depending on the housing height h_1 , while the extended housing is suitable for a door thickness s up to 40 mm.

The latches (with operating elements, lockable) each come with 2 keys and loosely enclosed latch arm. The key can be removed in both end positions. The lock is standard, so that every lock can be opened with the same key.

Latches GN 515 (types DK, VK7, VK8, SCH, VDE) are supplied with loosely enclosed latch arm.

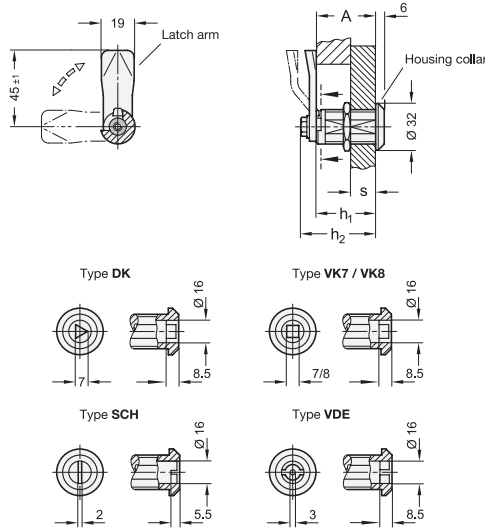


ACCESSORY

- Socket Keys GN 119.2 (see page 1530)
(Types DK, VK7, VK8, SCH, VDE)
- Opening Handles GN 120.1 (see page 1487)
(Types DK, VK7, VK8, SCH, VDE)
- Protective Guide Plates GN 120.2 (see page 1479)
(Types DK, VK7, VK8, SCH, VDE, SCK, SCT)
- Protective Caps GN 120 (see page 1486)
(Version in Stainless Steel)

TECHNICAL INFORMATION

- IP Protection Classes (see page A23)
- Plastic Characteristics (see page A2)
- Stainless Steel Characteristics (see page A26)



* Complete with type index of the latch
DK VK7 VK8 SCH VDE

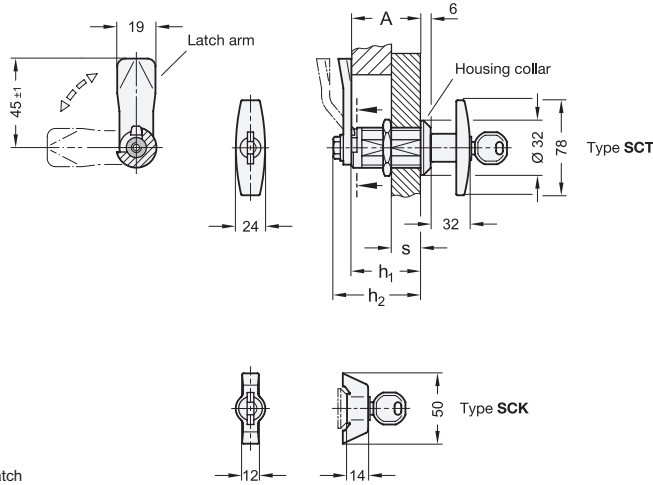
GN 515-Operation with Socket Keys

Description	h ₁	Latch arm distance A	h ₂	s max.	⚖
GN 515-ZD-*.30-16-SW	30	16	40	20	106
GN 515-ZD-*.30-20-SW	30	20	40	20	104
GN 515-ZD-*.30-25-SW	30	25	40	20	103
GN 515-ZD-*.30-28-SW	30	28	40	20	96
GN 515-ZD-*.30-32-SW	30	32	40	20	102
GN 515-ZD-*.30-36-SW	30	36	40	20	102
GN 515-ZD-*.30-40-SW	30	40	40	20	104
GN 515-ZD-*.30-44-SW	30	44	40	20	106
GN 515-ZD-*.30-48-SW	30	48	40	20	106
GN 515-ZD-*.30-52-SW	30	52	40	20	114
GN 515-ZD-*.30-57-SW	30	57	40	20	106
GN 515-ZD-*.30-18-SW	30	18	40	20	103
GN 515-ZD-*.30-22-SW	30	22	40	20	103
GN 515-ZD-*.30-26-SW	30	26	40	20	103
GN 515-ZD-*.30-30-SW	30	30	40	20	101
GN 515-ZD-*.30-34-SW	30	34	40	20	102
GN 515-ZD-*.30-38-SW	30	38	40	20	104
GN 515-ZD-*.30-42-SW	30	42	40	20	105
GN 515-ZD-*.30-46-SW	30	46	40	20	108
GN 515-ZD-*.30-50-SW	30	50	40	20	111
GN 515-ZD-*.30-54-SW	30	54	40	20	113
GN 515-ZD-*.30-62-SW	30	62	40	20	118
GN 515-ZD-*.40-26-SW	40	26	50	30	126
GN 515-ZD-*.40-30-SW	40	30	50	30	124
GN 515-ZD-*.40-35-SW	40	35	50	30	123
GN 515-ZD-*.40-38-SW	40	38	50	30	116
GN 515-ZD-*.40-42-SW	40	42	50	30	122
GN 515-ZD-*.40-46-SW	40	46	50	30	122
GN 515-ZD-*.40-50-SW	40	50	50	30	124
GN 515-ZD-*.40-54-SW	40	54	50	30	126
GN 515-ZD-*.40-58-SW	40	58	50	30	126
GN 515-ZD-*.40-62-SW	40	62	50	30	134
GN 515-ZD-*.40-67-SW	40	67	50	30	126
GN 515-ZD-*.40-28-SW	40	28	50	30	123
GN 515-ZD-*.40-32-SW	40	32	50	30	123
GN 515-ZD-*.40-36-SW	40	36	50	30	123
GN 515-ZD-*.40-40-SW	40	40	50	30	121
GN 515-ZD-*.40-44-SW	40	44	50	30	122
GN 515-ZD-*.40-48-SW	40	48	50	30	124
GN 515-ZD-*.40-52-SW	40	52	50	30	125
GN 515-ZD-*.40-56-SW	40	56	50	30	128
GN 515-ZD-*.40-60-SW	40	60	50	30	131
GN 515-ZD-*.40-64-SW	40	64	50	30	133
GN 515-ZD-*.40-72-SW	40	72	50	30	138
GN 515-ZD-*.50-36-SW	50	36	60	40	142

Description	h ₁	Latch arm distance A	h ₂	s max.	⚖
GN 515-ZD-*.50-40-SW	50	40	60	40	140
GN 515-ZD-*.50-45-SW	50	45	60	40	139
GN 515-ZD-*.50-48-SW	50	48	60	40	132
GN 515-ZD-*.50-52-SW	50	52	60	40	138
GN 515-ZD-*.50-56-SW	50	56	60	40	138
GN 515-ZD-*.50-60-SW	50	60	60	40	140
GN 515-ZD-*.50-64-SW	50	64	60	40	142
GN 515-ZD-*.50-68-SW	50	68	60	40	142
GN 515-ZD-*.50-72-SW	50	72	60	40	150
GN 515-ZD-*.50-77-SW	50	77	60	40	142
GN 515-ZD-*.50-38-SW	50	38	60	40	139
GN 515-ZD-*.50-42-SW	50	42	60	40	139
GN 515-ZD-*.50-46-SW	50	46	60	40	139
GN 515-ZD-*.50-50-SW	50	50	60	40	137
GN 515-ZD-*.50-54-SW	50	54	60	40	138
GN 515-ZD-*.50-58-SW	50	58	60	40	140
GN 515-ZD-*.50-62-SW	50	62	60	40	141
GN 515-ZD-*.50-66-SW	50	66	60	40	144
GN 515-ZD-*.50-70-SW	50	70	60	40	147
GN 515-ZD-*.50-74-SW	50	74	60	40	149
GN 515-ZD-*.50-82-SW	50	82	60	40	154
GN 515-ZD-*.60-46-SW	60	46	70	50	158
GN 515-ZD-*.60-50-SW	60	50	70	50	156
GN 515-ZD-*.60-55-SW	60	55	70	50	155
GN 515-ZD-*.60-58-SW	60	58	70	50	148
GN 515-ZD-*.60-62-SW	60	62	70	50	154
GN 515-ZD-*.60-66-SW	60	66	70	50	154
GN 515-ZD-*.60-70-SW	60	70	70	50	156
GN 515-ZD-*.60-74-SW	60	74	70	50	158
GN 515-ZD-*.60-78-SW	60	78	70	50	158
GN 515-ZD-*.60-82-SW	60	82	70	50	166
GN 515-ZD-*.60-87-SW	60	87	70	50	158
GN 515-ZD-*.60-48-SW	60	48	70	50	155
GN 515-ZD-*.60-52-SW	60	52	70	50	155
GN 515-ZD-*.60-56-SW	60	56	70	50	155
GN 515-ZD-*.60-60-SW	60	60	70	50	153
GN 515-ZD-*.60-64-SW	60	64	70	50	154
GN 515-ZD-*.60-68-SW	60	68	70	50	156
GN 515-ZD-*.60-72-SW	60	72	70	50	157
GN 515-ZD-*.60-76-SW	60	76	70	50	160
GN 515-ZD-*.60-80-SW	60	80	70	50	163
GN 515-ZD-*.60-84-SW	60	84	70	50	165
GN 515-ZD-*.60-92-SW	60	92	70	50	170

Weight type DK





* Complete with type index of the latch
SCK **SCT**

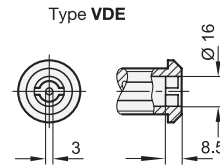
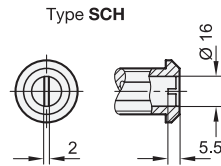
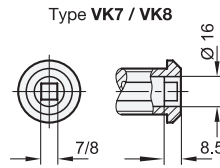
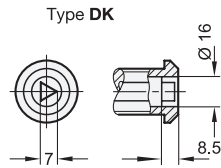
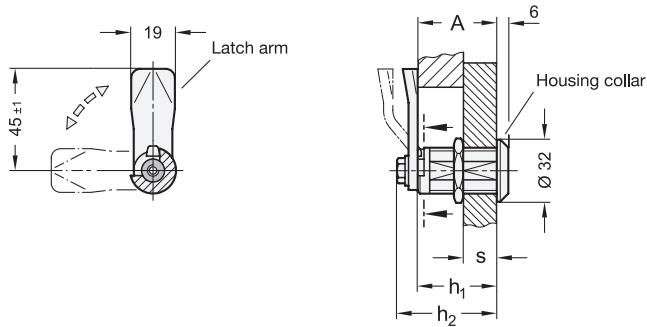
GN 515-with Operating Elements, Lockable

Description	h1	Latch arm distance A	h2	s max.	⚖
GN 515-ZD.*-30-16-SW	30	16	40	20	136
GN 515-ZD.*-30-20-SW	30	20	40	20	134
GN 515-ZD.*-30-25-SW	30	25	40	20	133
GN 515-ZD.*-30-28-SW	30	28	40	20	126
GN 515-ZD.*-30-32-SW	30	32	40	20	132
GN 515-ZD.*-30-36-SW	30	36	40	20	132
GN 515-ZD.*-30-40-SW	30	40	40	20	134
GN 515-ZD.*-30-44-SW	30	44	40	20	136
GN 515-ZD.*-30-48-SW	30	48	40	20	136
GN 515-ZD.*-30-52-SW	30	52	40	20	144
GN 515-ZD.*-30-57-SW	30	57	40	20	136
GN 515-ZD.*-30-18-SW	30	18	40	20	133
GN 515-ZD.*-30-22-SW	30	22	40	20	133
GN 515-ZD.*-30-26-SW	30	26	40	20	133
GN 515-ZD.*-30-30-SW	30	30	40	20	131
GN 515-ZD.*-30-34-SW	30	34	40	20	132
GN 515-ZD.*-30-38-SW	30	38	40	20	134
GN 515-ZD.*-30-42-SW	30	42	40	20	135
GN 515-ZD.*-30-46-SW	30	46	40	20	138
GN 515-ZD.*-30-50-SW	30	50	40	20	141
GN 515-ZD.*-30-54-SW	30	54	40	20	143
GN 515-ZD.*-30-62-SW	30	62	40	20	148
GN 515-ZD.*-40-26-SW	40	26	50	30	158
GN 515-ZD.*-40-30-SW	40	30	50	30	156
GN 515-ZD.*-40-35-SW	40	35	50	30	155
GN 515-ZD.*-40-38-SW	40	38	50	30	148
GN 515-ZD.*-40-42-SW	40	42	50	30	154
GN 515-ZD.*-40-46-SW	40	46	50	30	154
GN 515-ZD.*-40-50-SW	40	50	50	30	156
GN 515-ZD.*-40-54-SW	40	54	50	30	158
GN 515-ZD.*-40-58-SW	40	58	50	30	158
GN 515-ZD.*-40-62-SW	40	62	50	30	166
GN 515-ZD.*-40-67-SW	40	67	50	30	158
GN 515-ZD.*-40-28-SW	40	28	50	30	155
GN 515-ZD.*-40-32-SW	40	32	50	30	155
GN 515-ZD.*-40-36-SW	40	36	50	30	155
GN 515-ZD.*-40-40-SW	40	40	50	30	153
GN 515-ZD.*-40-44-SW	40	44	50	30	154
GN 515-ZD.*-40-48-SW	40	48	50	30	156
GN 515-ZD.*-40-52-SW	40	52	50	30	157
GN 515-ZD.*-40-56-SW	40	56	50	30	160
GN 515-ZD.*-40-60-SW	40	60	50	30	163
GN 515-ZD.*-40-64-SW	40	64	50	30	165
GN 515-ZD.*-40-72-SW	40	72	50	30	170
GN 515-ZD.*-50-36-SW	50	36	60	40	177

Description	h1	Latch arm distance A	h2	s max.	⚖
GN 515-ZD.*-50-40-SW	50	40	60	40	175
GN 515-ZD.*-50-45-SW	50	45	60	40	174
GN 515-ZD.*-50-48-SW	50	48	60	40	167
GN 515-ZD.*-50-52-SW	50	52	60	40	173
GN 515-ZD.*-50-56-SW	50	56	60	40	173
GN 515-ZD.*-50-60-SW	50	60	60	40	175
GN 515-ZD.*-50-64-SW	50	64	60	40	177
GN 515-ZD.*-50-68-SW	50	68	60	40	177
GN 515-ZD.*-50-72-SW	50	72	60	40	185
GN 515-ZD.*-50-77-SW	50	77	60	40	177
GN 515-ZD.*-50-38-SW	50	38	60	40	174
GN 515-ZD.*-50-42-SW	50	42	60	40	174
GN 515-ZD.*-50-46-SW	50	46	60	40	174
GN 515-ZD.*-50-50-SW	50	50	60	40	172
GN 515-ZD.*-50-54-SW	50	54	60	40	173
GN 515-ZD.*-50-58-SW	50	58	60	40	175
GN 515-ZD.*-50-62-SW	50	62	60	40	176
GN 515-ZD.*-50-66-SW	50	66	60	40	179
GN 515-ZD.*-50-70-SW	50	70	60	40	182
GN 515-ZD.*-50-74-SW	50	74	60	40	184
GN 515-ZD.*-50-82-SW	50	82	60	40	189
GN 515-ZD.*-60-46-SW	60	46	70	50	198
GN 515-ZD.*-60-50-SW	60	50	70	50	196
GN 515-ZD.*-60-55-SW	60	55	70	50	195
GN 515-ZD.*-60-58-SW	60	58	70	50	188
GN 515-ZD.*-60-62-SW	60	62	70	50	194
GN 515-ZD.*-60-66-SW	60	66	70	50	194
GN 515-ZD.*-60-70-SW	60	70	70	50	196
GN 515-ZD.*-60-74-SW	60	74	70	50	198
GN 515-ZD.*-60-78-SW	60	78	70	50	198
GN 515-ZD.*-60-82-SW	60	82	70	50	206
GN 515-ZD.*-60-87-SW	60	87	70	50	198
GN 515-ZD.*-60-48-SW	60	48	70	50	195
GN 515-ZD.*-60-52-SW	60	52	70	50	195
GN 515-ZD.*-60-56-SW	60	56	70	50	195
GN 515-ZD.*-60-60-SW	60	60	70	50	193
GN 515-ZD.*-60-64-SW	60	64	70	50	194
GN 515-ZD.*-60-68-SW	60	68	70	50	196
GN 515-ZD.*-60-72-SW	60	72	70	50	197
GN 515-ZD.*-60-76-SW	60	76	70	50	200
GN 515-ZD.*-60-80-SW	60	80	70	50	203
GN 515-ZD.*-60-84-SW	60	84	70	50	205
GN 515-ZD.*-60-92-SW	60	92	70	50	210

Weight type SCK





* Complete with type index of the latch
DK VK7 VK8 SCH VDE

GN 515-NI Operation with Socket Keys

STAINLESS STEEL

Description	h1	Latch arm distance A	h2	s max.	⚖
GN 515-NI-*-30-18-BL	30	18	40	20	114
GN 515-NI-*-30-22-BL	30	22	40	20	112
GN 515-NI-*-30-26-BL	30	26	40	20	110
GN 515-NI-*-30-30-BL	30	30	40	20	110
GN 515-NI-*-30-32-BL	30	32	40	20	110
GN 515-NI-*-30-34-BL	30	34	40	20	110
GN 515-NI-*-30-36-BL	30	36	40	20	105
GN 515-NI-*-30-38-BL	30	38	40	20	111
GN 515-NI-*-30-40-BL	30	40	40	20	113
GN 515-NI-*-30-42-BL	30	42	40	20	105
GN 515-NI-*-30-46-BL	30	46	40	20	116
GN 515-NI-*-30-50-BL	30	50	40	20	119
GN 515-NI-*-30-52-BL	30	52	40	20	115
GN 515-NI-*-30-62-BL	30	62	40	20	146
GN 515-NI-*-50-38-BL	50	38	60	40	163
GN 515-NI-*-50-42-BL	50	42	60	40	161
GN 515-NI-*-50-46-BL	50	46	60	40	159
GN 515-NI-*-50-50-BL	50	50	60	40	159
GN 515-NI-*-50-52-BL	50	52	60	40	159
GN 515-NI-*-50-54-BL	50	54	60	40	159
GN 515-NI-*-50-56-BL	50	56	60	40	154
GN 515-NI-*-50-58-BL	50	58	60	40	160
GN 515-NI-*-50-60-BL	50	60	60	40	162
GN 515-NI-*-50-62-BL	50	62	60	40	154
GN 515-NI-*-50-66-BL	50	66	60	40	165
GN 515-NI-*-50-70-BL	50	70	60	40	168
GN 515-NI-*-50-72-BL	50	72	60	40	164
GN 515-NI-*-50-82-BL	50	82	60	40	195

Weight type DK

