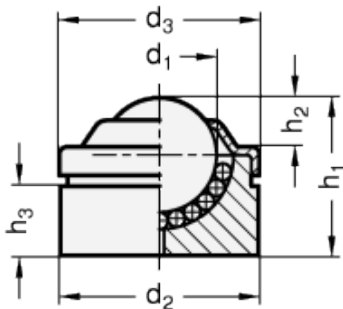


# GN 509.4

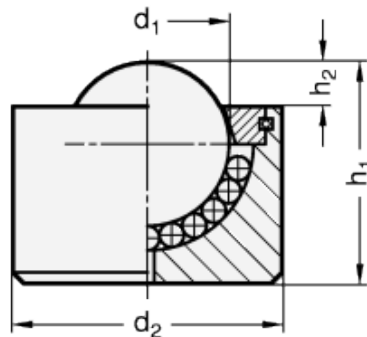
Ball transfer units



Size 8, 12  
(Sheet steel cover)



Size 15, 22, 30, 45



## technical informations

### Material

Zinc-plated turned steel, blue passivated.

### Balls

Zinc-plated steel, blank.

### Accessories on request

- Plastic balls (Polyamide).
- Stainless Steel Balls.
- Stainless Steel Housing.

### Applications

Ball transfer units GN 509.4 are used on conveyer tracks. They assist a linear or rotary movement of heavy loads on a conveyer track.

They have no support collar, taking the load at the housing diameter  $d_2$  instead.

Standard Elements	Main dimensions							Max. load carrying capacity N	Weight
	Description	Size	d <sub>1</sub>	d <sub>2 ±0.8</sub>	d <sub>3</sub>	h <sub>1 ±0.3</sub>	h <sub>2 ±0.3</sub>		h <sub>3</sub>
GN 509.4-8-SBL	8	7.9	18	18	12	2	5.1	120	18
GN 509.4-12-SBL	12	12.7	22	22.2	17.5	5.5	7.7	200	34
GN 509.4-15-SBL	15	15.8	24	-	20	5	-	500	49
GN 509.4-22-SBL	22	22.2	36.5	-	30	6	-	1300	175
GN 509.4-30-SBL	30	30.1	44.4	-	36.8	7.5	-	2500	324
GN 509.4-45-SBL	45	44.4	62.6	-	53.5	13	-	6000	410



ELESA and GANTER models all rights reserved in accordance with the law. Always mention the source when reproducing our drawings.

**STANDARD MACHINE ELEMENTS WORLDWIDE**