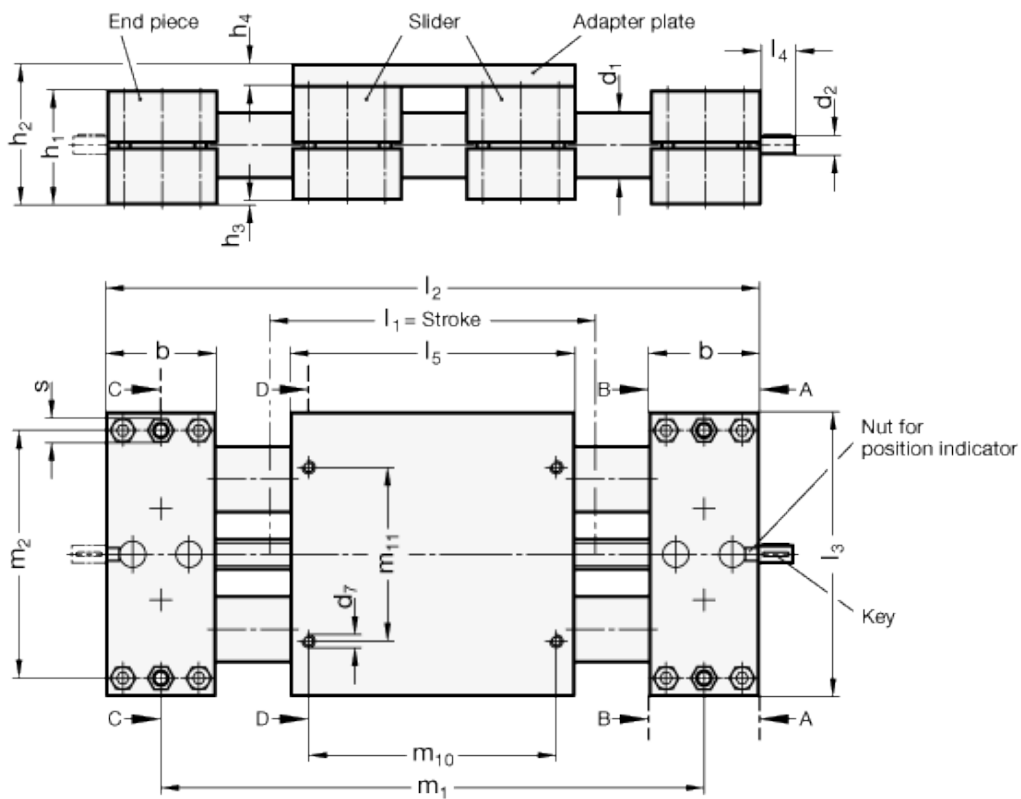


GN 492

Double tube linear actuators



technical informations
Guide tube DIN 2391
Chrome-plated steel SCR.

End pieces/Slider/Adapter plate

Aluminium, plastic coated, black RAL 9005, textured finish.
Fixing surface / mounting surface machined, blank.

Spindle with trapezoidal thread

Steel blank, with ball-bearing.
Positioning accuracy $\pm 0.2\text{mm}/300\text{ mm travel}$.

Follower nut

Gun metal.

Cylinder head screws DIN 912

Zinc-plated steel.

Hexagon nuts DIN 985

Zinc-plated steel.

Standard versions available

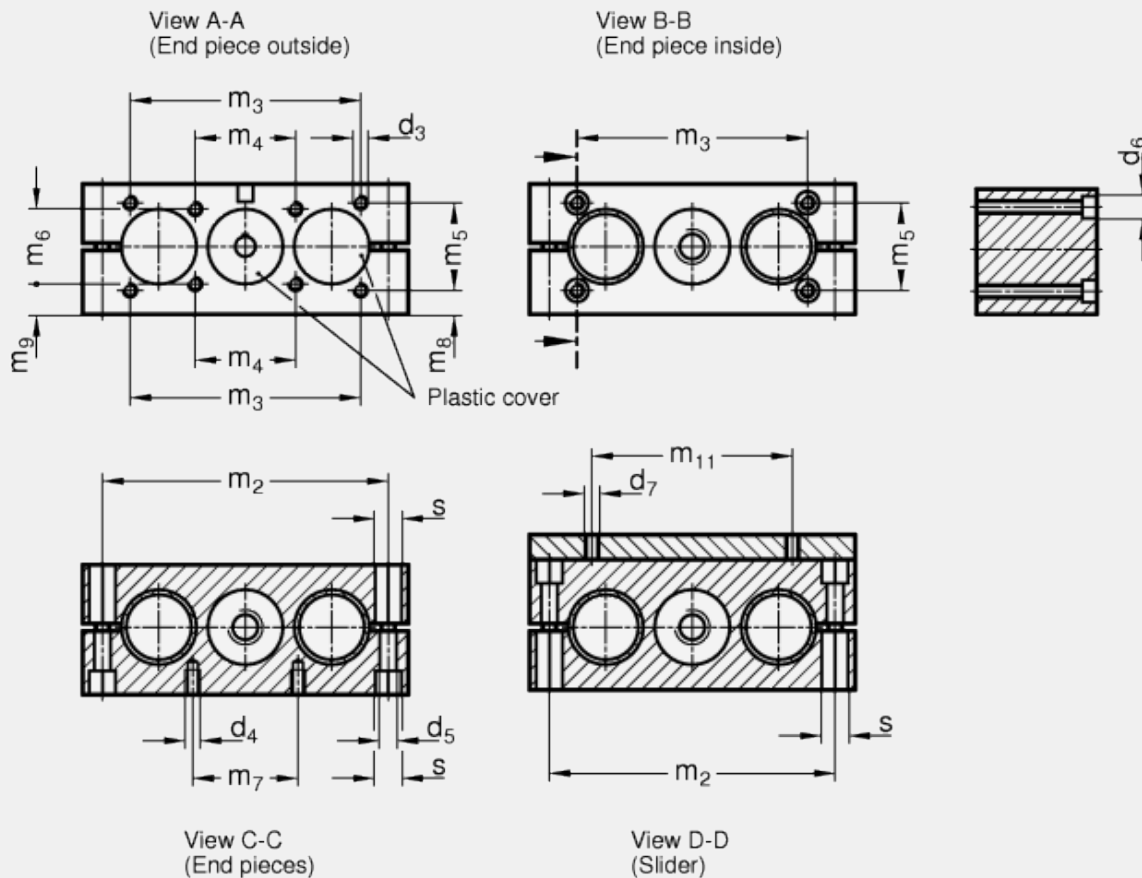
- Type R1: Right hand thread, single shaft end.
- Type R2*: Right hand thread, two shaft ends.
- Type L1*: Left hand thread, single shaft end.
- Type L2*: Left hand thread, two shaft ends.

* usually not available from stock

Features and applications

In addition to the standard travel lengths specified in the above table for the double tube linear actuator GN 492 any length inside the maximum length is available.

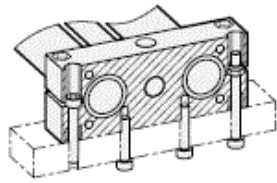
In order to measure the movement and positioning of the sliders, digital position indicators can be added.



Mounting facilities of the end pieces

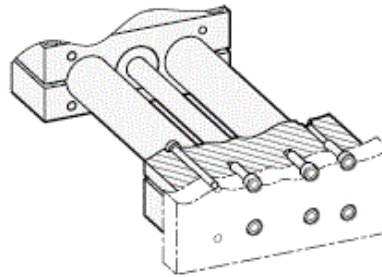
Horizontal

with screws for thread d_4 or bore d_5



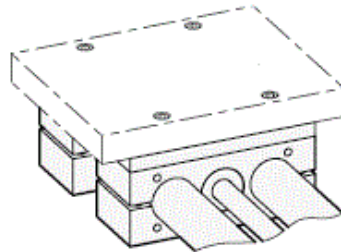
Vertikal

From outside, with screws for thread d_4
From inside, with screws for bore d_6



Mounting facilities at the slider

Mounting with screws
for thread d_7



for screw DIN 912

Standard
Elements

Main dimensions

Description	d ₁	l ₁ Travel	l ₁ Travel	b	d ₂	d _{3**}	d _{4***}	d ₅	d ₆	#	d ₇	#	d ₈	h ₁	h ₂	h ₃	h ₄	l ₂	l ₃	l ₄ long	l ₅	m ₁	m ₂	m ₃	m ₄
GN 492-18-100-R1-SCR	18	100	400	TR10x3	28	6	-	M5	5,3	-	-	-	-	M5	28	37	1	14,5	0,75	8	2xb+I5+I1	81	16	80	b+I5+I1
GN 492-18-150-R1-SCR	18	150	400	TR10x3	28	6	-	M5	5,3	-	-	-	-	M5	28	37	1	14,5	0,75	8	2xb+I5+I1	81	16	80	b+I5+I1
GN 492-18-200-R1-SCR	18	200	400	TR10x3	28	6	-	M5	5,3	-	-	-	-	M5	28	37	1	14,5	0,75	8	2xb+I5+I1	81	16	80	b+I5+I1
GN 492-18-300-R1-SCR	18	300	400	TR10x3	28	6	-	M5	5,3	-	-	-	-	M5	28	37	1	14,5	0,75	8	2xb+I5+I1	81	16	80	b+I5+I1
GN 492-30-100-R1-SCR	30	100	1500	TR14x4	50	8	M 6	M 6	6.5	10	M 5	11	M 6	M 6	52	64	2	27	0,85	10	2xb+I5+I1	130	16	130	b+I5+I1
GN 492-30-150-R1-SCR	30	150	1500	TR14x4	50	8	M6	M6	6.5	10	M 5	11	M 6	M 6	52	64	2	27	0,85	10	2xb+I5+I1	130	16	130	b+I5+I1
GN 492-30-200-R1-SCR	30	200	1500	TR14x4	50	8	M 6	M 6	6.5	10	M 5	11	M 6	M 6	52	64	2	27	0,85	10	2xb+I5+I1	130	16	130	b+I5+I1
GN 492-30-300-R1-SCR	30	300	1500	TR14x4	50	8	M 6	M 6	6.5	10	M 5	11	M 6	M 6	52	64	2	27	0,85	10	2xb+I5+I1	130	16	130	b+I5+I1
GN 492-40-100-R1-SCR	40	100	2500	TR20x4	60	12	M8	M8	8,5	13,5	M6	13,5	M8	M8	60	76	3	31,5	1,05	13	2xb+I5+I1	180	17	180	b+I5+I1
GN 492-40-150-R1-SCR	40	150	2500	TR20x4	60	12	M8	M8	8,5	13,5	M6	13,5	M8	M8	60	76	3	31,5	1,05	13	2xb+I5+I1	180	17	180	b+I5+I1
GN 492-40-200-R1-SCR	40	200	2500	TR20x4	60	12	M8	M8	8,5	13,5	M6	13,5	M8	M8	60	76	3	31,5	1,05	13	2xb+I5+I1	180	17	180	b+I5+I1
GN 492-40-300-R1-SCR	40	300	2500	TR20x4	60	12	M8	M8	8,5	13,5	M6	13,5	M8	M8	60	76	3	31,5	1,05	13	2xb+I5+I1	180	17	180	b+I5+I1
GN 492-50-100-R1-SCR	50	100	2630	TR20x4	72	12	M 10	M 8	8.5	15	M 8	15	M 8	M 8	72	92	4	38	1,2	16	2xb+I5+I1	206	18	206	b+I5+I1
GN 492-50-150-R1-SCR	50	150	2630	TR20x4	72	12	M 10	M 8	8.5	15	M 8	15	M 8	M 8	72	92	4	38	1,2	16	2xb+I5+I1	206	18	206	b+I5+I1
GN 492-50-200-R1-SCR	50	200	2630	TR20x4	72	12	M 10	M 8	8.5	15	M 8	15	M 8	M 8	72	92	4	38	1,2	16	2xb+I5+I1	206	18	206	b+I5+I1
GN 492-50-300-R1-SCR	50	300	2630	TR20x4	72	12	M 10	M 8	8.5	15	M 8	15	M 8	M 8	72	92	4	38	1,2	16	2xb+I5+I1	206	18	206	b+I5+I1
GN 492-60-400-R1-SCR	60	400	2580	TR25x4	80	14	M10	M10	10,5	13,5	M8	16,5	M10	M10	86	103	2	44	1,35	15	2xb+I5+I1	240	19	240	b+I5+I1
GN 492-60-500-R1-SCR	60	500	2580	TR25x4	80	14	M10	M10	10,5	13,5	M8	16,5	M10	M10	86	103	2	44	1,35	15	2xb+I5+I1	240	19	240	b+I5+I1
GN 492-60-600-R1-SCR	60	600	2580	TR25x4	80	14	M10	M10	10,5	13,5	M8	16,5	M10	M10	86	103	2	44	1,35	15	2xb+I5+I1	240	19	240	b+I5+I1
GN 492-18-100-L1-SCR*	18	100	400	TR10x3	28	6	-	M5	5,3	-	-	-	-	M5	28	37	1	14,5	0,75	8	2xb+I5+I1	81	16	80	b+I5+I1
GN 492-18-150-L1-SCR*	18	150	400	TR10x3	28	6	-	M5	5,3	-	-	-	-	M5	28	37	1	14,5	0,75	8	2xb+I5+I1	81	16	80	b+I5+I1
GN 492-18-200-L1-SCR*	18	200	400	TR10x3	28	6	-	M5	5,3	-	-	-	-	M5	28	37	1	14,5	0,75	8	2xb+I5+I1	81	16	80	b+I5+I1
GN 492-18-300-L1-SCR*	18	300	400	TR10x3	28	6	-	M5	5,3	-	-	-	-	M5	28	37	1	14,5	0,75	8	2xb+I5+I1	81	16	80	b+I5+I1
GN 492-30-100-L1-SCR*	30	100	1500	TR14x4	50	8	M 6	M 6	6.5	10	M 5	11	M 6	M 6	52	64	2	27	0,85	10	2xb+I5+I1	130	16	130	b+I5+I1
GN 492-30-150-L1-SCR*	30	150	1500	TR14x4	50	8	M 6	M 6	6.5	10	M 5	11	M 6	M 6	52	64	2	27	0,85	10	2xb+I5+I1	130	16	130	b+I5+I1
GN 492-30-200-L1-SCR*	30	200	1500	TR14x4	50	8	M 6	M 6	6.5	10	M 5	11	M 6	M 6	52	64	2	27	0,85	10	2xb+I5+I1	130	16	130	b+I5+I1

GN 492-50-100-L2-SCR*	50	100	2630	TR20x4	72	12	M 10	M 8	8.5	15	M 8	15	M 8	M 8	72	92	4	38	1,2	16	2xb+I5+I1	206	18	206	b+I5+I1
GN 492-50-150-L2-SCR*	50	150	2630	TR20x4	72	12	M 10	M 8	8.5	15	M 8	15	M 8	M 8	72	92	4	38	1,2	16	2xb+I5+I1	206	18	206	b+I5+I1
GN 492-50-200-L2-SCR*	50	200	2630	TR20x4	72	12	M 10	M 8	8.5	15	M 8	15	M 8	M 8	72	92	4	38	1,2	16	2xb+I5+I1	206	18	206	b+I5+I1
GN 492-50-300-L2-SCR*	50	300	2630	TR20x4	72	12	M 10	M 8	8.5	15	M 8	15	M 8	M 8	72	92	4	38	1,2	16	2xb+I5+I1	206	18	206	b+I5+I1
GN 492-60-400-L2-SCR*	60	400	2580	TR25x4	80	14	M10	M10	10,5	13,5	M8	16,5	M10	M10	86	103	2	44	1,35	15	2xb+I5+I1	240	19	240	b+I5+I1
GN 492-60-500-L2-SCR*	60	500	2580	TR25x4	80	14	M10	M10	10,5	13,5	M8	16,5	M10	M10	86	103	2	44	1,35	15	2xb+I5+I1	240	19	240	b+I5+I1
GN 492-60-600-L2-SCR*	60	600	2580	TR25x4	80	14	M10	M10	10,5	13,5	M8	16,5	M10	M10	86	103	2	44	1,35	15	2xb+I5+I1	240	19	240	b+I5+I1

* normally not available from stock ** usable depth of thread min. $2 \times d_3$ *** usable depth of thread min. $1.5 \times d_4$



ELESA and GANTER models all rights reserved in accordance with the law. Always mention the source when reproducing our drawings.

STANDARD MACHINE ELEMENTS WORLDWIDE