

# GN 491.1

## Installation kits

for position indicators used on linear actuators GN 491 / GN 492



---

### Specification

#### Identification no.

- No. **1**: for mechanical position indicators DD52R / DD51 / DD50
- No. **2**: for electrical position indicators DD52R-E / DD51-E

Adaptor shaft

Steel

blackened

Torque support

Aluminium

black anodized

---

### Information

The installation kits GN 491.1 are required for the attachment of a position indicator to double tube linear actuators. They consist of an adapter shaft and, depending on the position indicator, a torque support including fixing screws.

Mechanical position indicators DD52R / DD51 / DD50 must be ordered so that the counter is aligned with the rising of the trapezoidal thread spindle.

For the position indicators DD52R-E / DD51-E the respective rising is set at the position indicator for every programming.

---

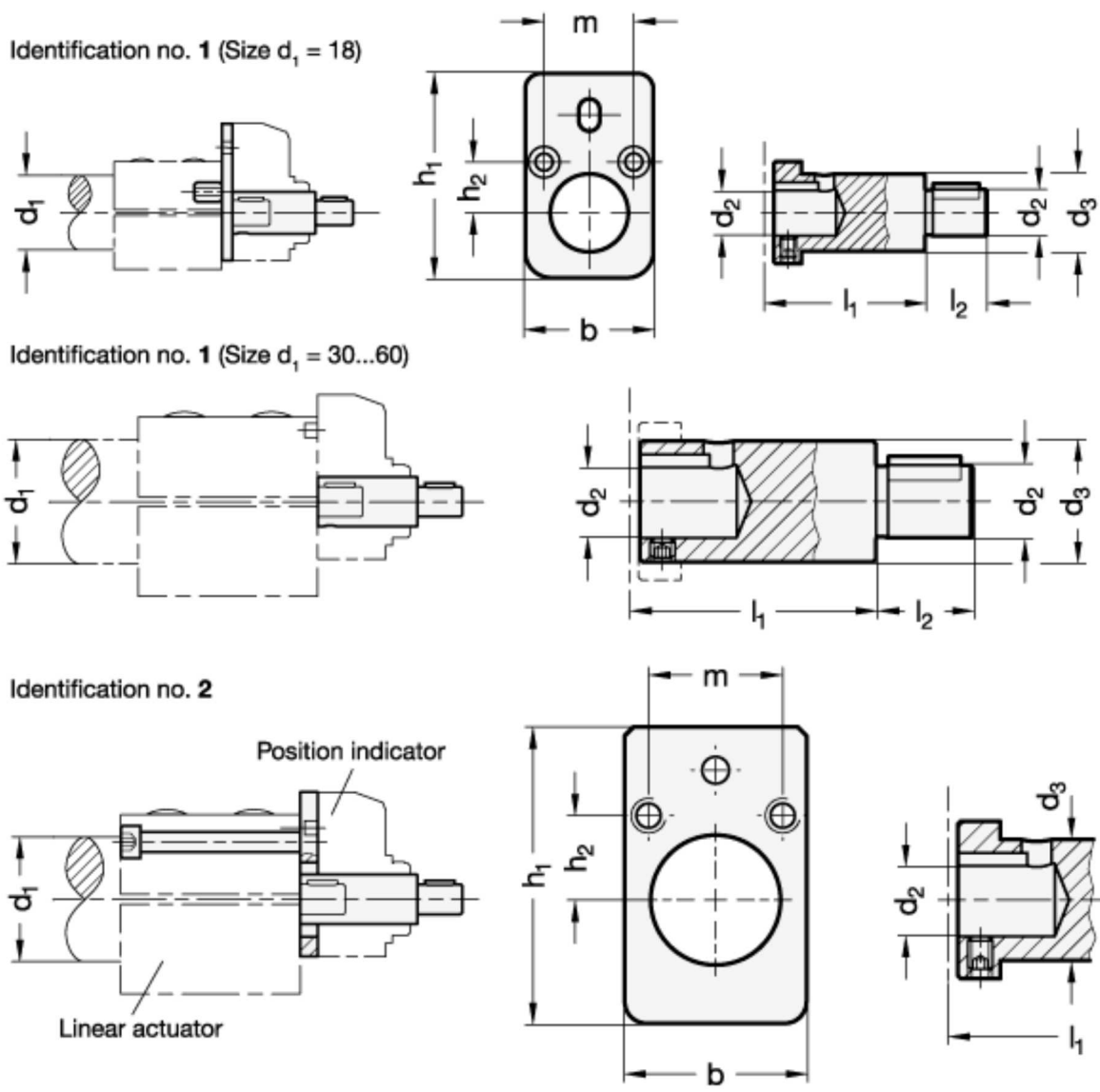
### Accessory

Position indicators and handwheels have to be ordered separately.

---

### Technical information

- [ISO-Fundamental tolerances](#)



**GN 491.1**

Description	d <sub>1</sub> Ø Linear actuator	d <sub>2</sub> f7	b	d <sub>3</sub>	l <sub>1</sub>	l <sub>2</sub>	h <sub>1</sub>	h <sub>2</sub>	m	For position indicator	Weight
<b>GN 491.1-18-6-1</b>	18	6	27	10	30	16	38.5	10	20	DD50	90
<b>GN 491.1-30-8-1</b>	30	8	40	14	35	15	54.5	15	30	DD51 DD51-E	100
<b>GN 491.1-40-12-1</b>	40	12	50	20	39	16	72.5	19.5	39	DD52R DD52R-E	159
<b>GN 491.1-50-12-1</b>	50	12	60	20	39	17	72.5	23	46	DD52R DD52R-E	159
<b>GN 491.1-60-14-1</b>	60	14	70	20	39	18	72.5	27.5	55	DD52R DD52R-E	92
<b>GN 491.1-30-8-2</b>	30	8	40	14	44	15	54.5	15	30	DD51 DD51-E	150
<b>GN 491.1-40-12-2</b>	40	12	50	20	51	16	72.5	19.5	39	DD52R DD52R-E	247
<b>GN 491.1-50-12-2</b>	50	12	60	20	51	17	72.5	23	46	DD52R DD52R-E	271
<b>GN 491.1-60-14-2</b>	60	14	70	20	51	18	72.5	27.5	55	DD52R DD52R-E	324