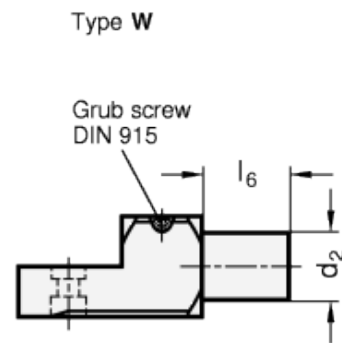
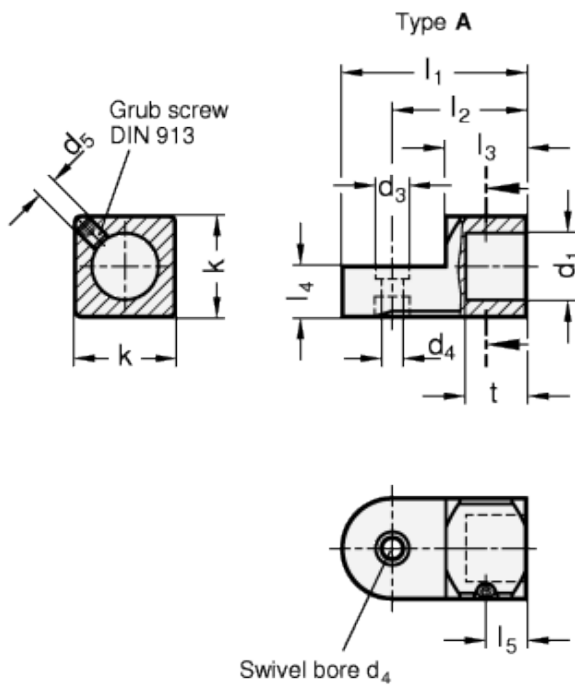
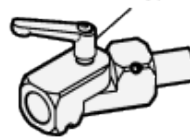


GN 483

T-Swivel clamp mountings



Swivel clamp
mounting joint
with clamping kit
GN 511.1, Type K



Clamping kit
GN 511.1, Type S



technical informations

Material
Aluminium.

Finish

- Version MT: matte, slide ground.
- Version ELS: black anodized.

Standard versions available

- Type A: with bore.
- Type W: with bolt.

Bolt

Zinc-plated steel, blue passivated (Type W).

Grub screw DIN 913 (Type A)

Stainless Steel AISI 304.

Grub screw DIN 915 (Type W)

Stainless Steel AISI 304.

Features and applications

Using swivel clamp mountings GN 482 and attachment clamp mountings GN 484 with the same k dimensions, T-Swivel clamp mountings GN 483 are easily combined into articulated swivel clamp mounting joints. Clamping kits GN 511.1 with screw, type S and adjustable hand lever, type K are available for this purpose (description see table of dimensions).

Standard Elements	Main dimensions															Clamping kits for d4	Clamping kits for d4	Weight g
	Description	d ₁	d ₂	k	d ₃	d ₄	d ₅	l ₁	l ₂	l ₃	l ₄	l ₅	l ₆	t				
GN 483-B8-16-A-MT	B8	-	16	7	4.5	M4	30	22	13	8	5.5	-	8	GN 511.1-M4-16-S	GN 511.1-M4-16-K	17		
GN 483-B8-16-A-ELS	B8	-	16	7	4.5	M4	30	22	13	8	5.5	-	8	GN 511.1-M4-16-S	GN 511.1-M4-16-K	17		
GN 483-B10-20-A-MT	B10	-	20	8.5	5.5	M5	38	28	17	10	7	-	10	GN 511.1-M4-16-S	GN 511.1-M4-16-K	20		
GN 483-B10-20-A-ELS	B10	-	20	8.5	5.5	M5	38	28	17	10	7	-	12	GN 511.1-M4-16-S	GN 511.1-M4-16-K	20		
GN 483-B12-20-A-MT	B12	-	20	8.5	5.5	M5	38	28	17	10	8	-	12	GN 511.1-M4-16-S	GN 511.1-M4-16-K	20		
GN 483-B12-20-A-ELS	B12	-	20	8.5	5.5	M5	30	28	17	10	8	-	12	GN 511.1-M4-16-S	GN 511.1-M4-16-K	20		
GN 483-B15-25-A-MT	B15	-	25	10	6.5	M6	46	33.5	20	12.5	10	-	15	GN 511.1-M4-16-S	GN 511.1-M4-16-K	40		
GN 483-B15-25-A-ELS	B15	-	25	10	6.5	M6	46	33.5	20	12.5	10	-	15	GN 511.1-M4-16-S	GN 511.1-M4-16-K	40		
GN 483-B16-25-A-MT	B16	-	25	10	6.5	M6	46	33.5	24	12.5	11	-	16	GN 511.1-M4-16-S	GN 511.1-M4-16-K	40		
GN 483-B16-25-A-ELS	B16	-	25	10	6.5	M6	46	33.5	24	12.5	11	-	16	GN 511.1-M4-16-S	GN 511.1-M4-16-K	40		
GN 483-B20-30-A-MT	B20	-	30	10	6.5	M6	55	40	24	15	12	-	18	GN 511.1-M4-16-S	GN 511.1-M4-16-K	80		
GN 483-B20-30-A-ELS	B20	-	30	10	6.5	M6	55	40	24	15	12	-	18	GN 511.1-M4-16-S	GN 511.1-M4-16-K	80		
GN 483-8-16-W-MT	-	8	16	7	4.5	M4	30	22	13	8	5.5	16	-	GN 511.1-M4-16-S	GN 511.1-M4-16-K	20		
GN 483-8-16-W-ELS	-	8	16	7	4.5	M4	30	22	13	8	5.5	16	-	GN 511.1-M4-16-S	GN 511.1-M4-16-K	20		
GN 483-10-20-W-MT	-	10	20	8.5	5.5	M5	38	28	17	10	7	17	-	GN 511.1-M4-16-S	GN 511.1-M4-16-K	42		
GN 483-10-20-W-ELS	-	10	20	8.5	5.5	M5	38	28	17	10	7	17	-	GN 511.1-M4-16-S	GN 511.1-M4-16-K	42		
GN 483-12-20-W-MT	-	12	20	8.5	5.5	M5	38	28	17	10	8	19	-	GN 511.1-M4-16-S	GN 511.1-M4-16-K	51		
GN 483-12-20-W-ELS	-	12	20	8.5	5.5	M5	38	28	17	10	8	19	-	GN 511.1-M4-16-S	GN 511.1-M4-16-K	51		
GN 483-15-25-W-MT	-	15	25	10	6.5	M6	46	33.5	20	12.5	10	21	-	GN 511.1-M4-16-S	GN 511.1-M4-16-K	94		
GN 483-15-25-W-ELS	-	15	25	10	6.5	M6	46	33.5	20	12.5	10	21	-	GN 511.1-M4-16-S	GN 511.1-M4-16-K	94		
GN 483-16-25-W-MT	-	16	25	10	6.5	M6	46	33.5	24	12.5	11	24	-	GN 511.1-M4-16-S	GN 511.1-M4-16-K	106		
GN 483-16-25-W-ELS	-	16	25	10	6.5	M6	46	33.5	24	12.5	11	24	-	GN 511.1-M4-16-S	GN 511.1-M4-16-K	106		
GN 483-20-30-W-MT	-	20	30	10	6.5	M6	55	33.5	24	15	12	26	-	GN 511.1-M4-16-S	GN 511.1-M4-16-K	180		
GN 483-20-30-W-ELS	-	20	30	10	6.5	M6	55	33.5	24	15	12	26	-	GN 511.1-M4-16-S	GN 511.1-M4-16-K	180		



STANDARD MACHINE ELEMENTS WORLDWIDE