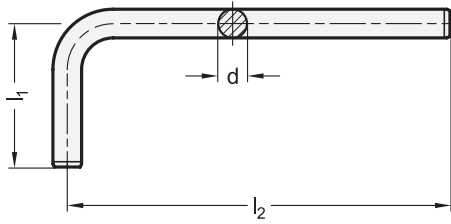
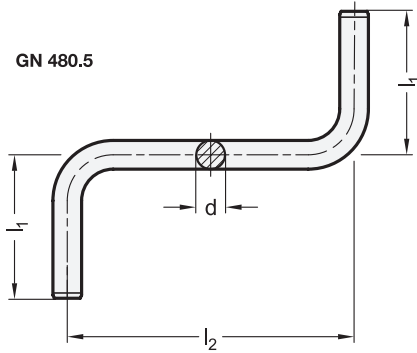


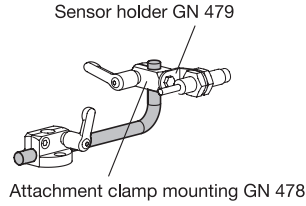
GN 480.3



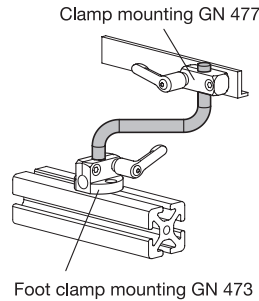
GN 480.5



**Examples of application**



ROSTFREI  
Inox  
Stainless  
Steel



GN 480.3	1	2	3
d	l <sub>1</sub>	l <sub>2</sub>	
D 8	30	90	
D 8	50	150	
D 8	80	240	
D 10	50	150	
D 10	70	210	
D 10	100	300	

GN 480.5	1	2	3
d	l <sub>1</sub>	l <sub>2</sub>	
D 8	30	60	
D 8	50	100	
D 8	80	160	
D 10	50	100	
D 10	70	140	
D 10	100	200	

**Specification**

- Stainless Steel - AISI 304
- blank
- Stainless Steel characteristics → Page 1489
- RoHS

**On request**

- other dimensions for l<sub>1</sub> and l<sub>2</sub>

**Information**

The dimensions of GN 480.3 and GN 480.5 Stainless Steel-Retaining rods are tailored for use with clamp mountings.

The cranked/angled Stainless Steel-Retaining rods make it possible to create compact and space-saving clamp mounting structures efficiently and cost-effectively with few components.

see also...

- Retaining tubes / Retaining rods GN 480.1 → Page 1256

How to order (angled)

GN 480.3-D10-50-150-NI

- 1 d
- 2 l<sub>1</sub>
- 3 l<sub>2</sub>
- 4 Material

How to order (cranked)

GN 480.5-D8-80-160-NI

- 1 d
- 2 l<sub>1</sub>
- 3 l<sub>2</sub>
- 4 Material

3.1  
3.2  
3.3  
3.4  
3.5  
3.6  
3.7  
3.8  
3.9

