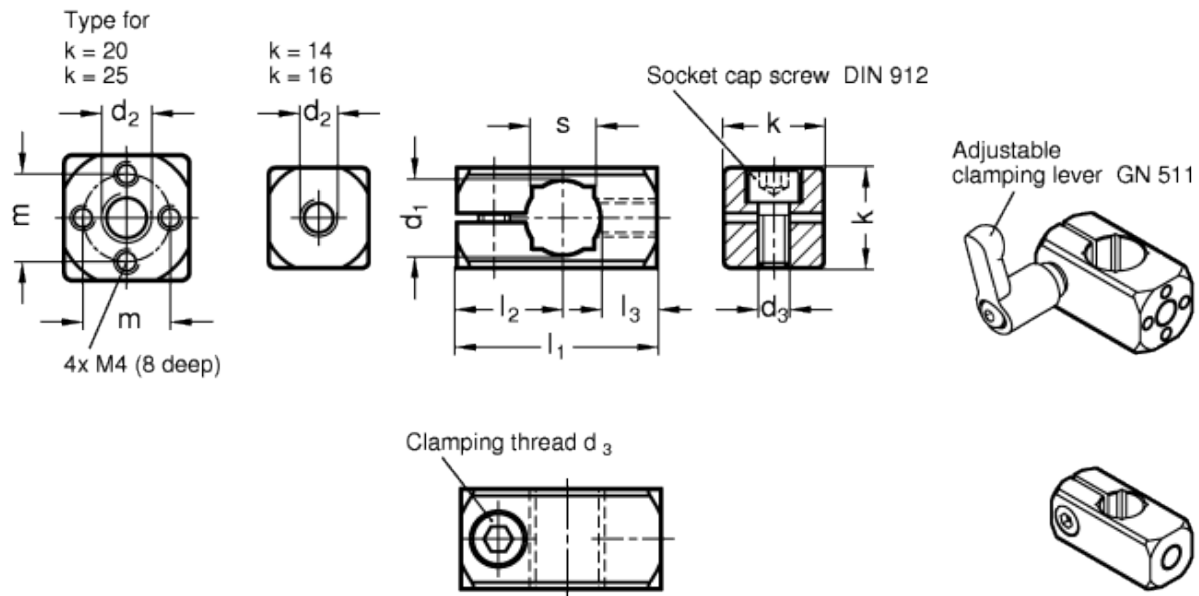


# GN 478

Clamp mountings with threaded holes



technical informations

**Material**  
Aluminium.

**Finish**

- Version MT: matte, ground.
- Version ELS: anodised, black.

**Clamping screws**

AISI 304 stainless steel socket cap screws DIN 912.

## Features and applications

Clamp mountings GN 478 are primarily designed for mounting sensor holders.  
The standard clamping bolts are socket cap screws DIN 912. They can be replaced by clamping kits GN 511 (description see table of dimensions).

## Accessories

Clamping kits [GN 511](#) (clamping handles GN 300.1 with distance bushing).

Standard Elements	Main dimensions									Clamping kits for d <sub>3</sub>	Weight g
	Description	d <sub>1</sub> Bore B for shaft tol. h11	d <sub>2</sub>	d <sub>3</sub> Clamping thread	k	m	l <sub>1</sub>	l <sub>2</sub>	l <sub>3</sub>		
GN 478-B8-M5-MT	B8	M 5	M 4	14	-	25	13.5	7.5	-	GN 511-M4-14	11
GN 478-B10-M5-MT	B10	M 5	M 5	16	-	30	17	8	8	GN 511-M5-16	16
GN 478-B10-M6-MT	B10	M 6	M 5	16	-	30	17	8	8	GN 511-M5-16	20
GN 478-B10-M8-MT	B10	M 8	M 5	16	-	30	17	8	8	GN 511-M5-16	16
GN 478-B12-M5-MT	B12	M 5	M 5	16	-	32	17	9	10	GN 511-M5-16	16
GN 478-B12-M6-MT	B12	M 6	M 5	16	-	32	17	9	10	GN 511-M5-16	16
GN 478-B12-M8-MT	B12	M 8	M 5	16	-	32	17	9	10	GN 511-M5-16	15
GN 478-B15-M6-MT	B15	M 6	M 6	20	14	40	20.5	12	12	GN 511-M6-20	20
GN 478-B15-M8-MT	B15	M 8	M 6	20	14	40	20.5	12	12	GN 511-M6-20	31
GN 478-B16-M6-MT	B16	M 6	M 6	20	14	40	20.5	11.5	-	GN 511-M6-20	31
GN 478-B16-M8-MT	B16	M 8	M 6	20	14	40	20.5	11.5	-	GN 511-M6-20	30
GN 478-B20-M8-MT	B20	M 8	M 6	25	17	45	21.5	12	16	GN 511-M6-25	51
GN 478-B20-M10-MT	B20	M 10	M 6	25	17	45	21.5	12	16	GN 511-M6-25	50
GN 478-B8-M5-ELS	B8	M 5	M 4	14	-	25	13.5	7.5	-	GN 511-M4-14	11
GN 478-B10-M5-ELS	B10	M 5	M 5	16	-	30	17	8	8	GN 511-M5-16	16
GN 478-B10-M6-ELS	B10	M 6	M 5	16	-	30	17	8	8	GN 511-M5-16	20
GN 478-B10-M8-ELS	B10	M 8	M 5	16	-	30	17	8	8	GN 511-M5-16	16
GN 478-B12-M5-ELS	B12	M 5	M 5	16	-	32	17	9	10	GN 511-M5-16	16
GN 478-B12-M6-ELS	B12	M 6	M 5	16	-	32	17	9	10	GN 511-M5-16	37
GN 478-B12-M8-ELS	B12	M 8	M 5	16	-	32	17	9	10	GN 511-M5-16	17
GN 478-B15-M6-ELS	B15	M 6	M 6	20	14	40	20.5	12	12	GN 511-M6-20	20
GN 478-B15-M8-ELS	B15	M 8	M 6	20	14	40	20.5	12	12	GN 511-M6-20	31
GN 478-B16-M6-ELS	B16	M 6	M 6	20	14	40	20.5	11.5	-	GN 511-M6-20	31
GN 478-B16-M8-ELS	B16	M 8	M 6	20	14	40	20.5	11.5	-	GN 511-M6-20	30
GN 478-B20-M8-ELS	B20	M 8	M 6	25	17	45	21.5	12	16	GN 511-M6-25	51
GN 478-B20-M10-ELS	B20	M 10	M 6	25	17	45	21.5	12	16	GN 511-M6-25	50



STANDARD MACHINE ELEMENTS WORLDWIDE