

GN 472.5

Cranked handles with retractable handle

Stainless Steel



Specification

Body

Aluminium

plastic coated

black, RAL 9005, textured finish **SW**

silver, RAL 9006, textured finish **SR**

hub machined

Hub cover

light grey

Retractable handles [GN 798.5](#)

Plastic, Technopolymer

black, matt finish

Retractable mechanism

Stainless Steel

Axle parts AISI 303

Flat base Sintered Steel AISI 316

Information

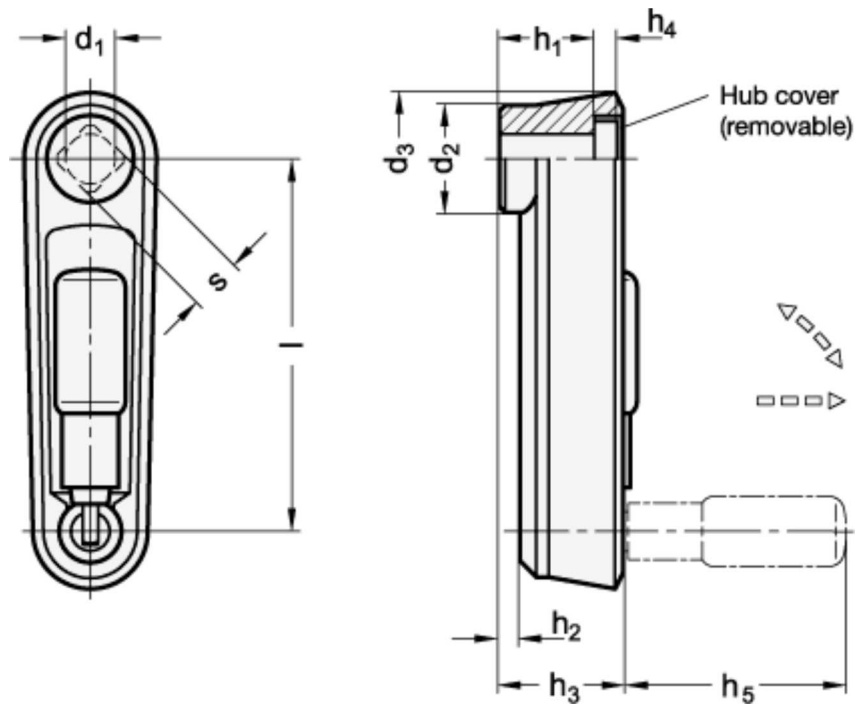
The handpiece of the cranked handle GN 472.5 is locked in a tapered bore in the operating position.

For tilting, the handle must first be pulled out of the taper in axial direction.

A compression spring holds the handle in both end positions. When folded out, it automatically re-engages.

Technical information

- Square [DIN 79](#)
- Cross holes [GN 110](#)
- [ISO-Fundamental Tolerances](#)



- Black (RAL 9005) Black
- Silver (RAL 9006) Silver

GN 472.5

Description	l	d ₁ H7	s H11	d ₂	d ₃	h ₁	h ₂	h ₃	h ₄	h ₅ ≈	Ø Handle	Weight
GN 472.5-80-B10-SW	80	B 10	-	23	29	20	4	26	4.3	43	16	0
GN 472.5-80-B10-SR	80	B 10	-	23	29	20	4	26	4.3	43	16	210
GN 472.5-80-V10-SW	80	-	V 10	23	29	20	4	26	4.3	57.5	16	100
GN 472.5-80-V10-SR	80	-	V 10	23	29	20	4	26	4.3	57.5	16	0
GN 472.5-100-B12-SW	100	B 12	-	26	34	24	5.5	30	4.2	76.5	18	190
GN 472.5-100-B12-SR	100	B 12	-	26	34	24	5.5	30	4.2	76.5	18	190
GN 472.5-100-V12-SW	100	-	V 12	26	34	24	5.5	30	4.2	43	18	190
GN 472.5-100-V12-SR	100	-	V 12	26	34	24	5.5	30	4.2	43	18	190
GN 472.5-125-B14-SW	125	B 14	-	28	36	31	10.5	37	4.2	57.5	24	0
GN 472.5-125-B14-SR	125	B 14	-	28	36	31	10.5	37	4.2	57.5	24	0
GN 472.5-125-V14-SW	125	-	V 14	28	36	31	10.5	37	4.2	76.5	24	100
GN 472.5-125-V14-SR	125	-	V 14	28	36	31	10.5	37	4.2	76.5	24	0