



GN 44

Stainless Steel-Levelling feet

Material no. AISI 316 L (A4)



Specification

Types (Base plate)

- Type **D0**: without rubber underlay
- Type **B0**: without rubber underlay, with 2 fixing holes
- Type **D1**: with rubber underlay, clipped on, black
- Type **D3**: with rubber underlay, vulcanized, black

Versions of threaded stem

- Version **S**: without nut, External hexagon at the bottom
- Version **SK**: with nut, External hexagon at the bottom
- Version **T**: without nut, Wrench flat at the bottom, "not dipping" version
- Version **TK**: with nut, Wrench flat at the bottom, "not dipping" version

Base plate

Stainless Steel

- AISI 316 L (A4)
- blank, ground

Threaded stem

Stainless Steel AISI 316 L (A4)

Hexagon nut ISO 4032

Stainless Steel, A4

Rubber cap

- clipped on
- black, Santoprene® (TPE) ≈ 80 Shore A

Rubber underlay

- vulcanized
- black, Perbunan® (NBR) 70±5 Shore A

Information

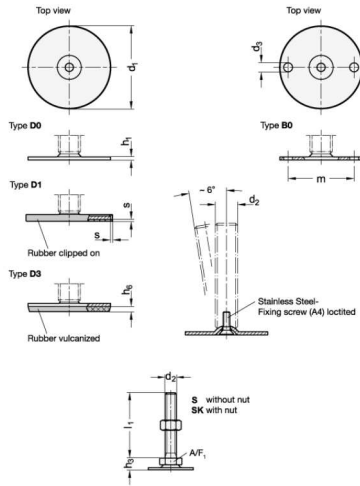
GN 44 Stainless Steel-Levelling feet are for use in aggressive environments. The range of combinations of base plates and adjustable spindle versions allows these levelling feet to be used in every situation.

The base plate with the rubber underlay protects sensitive surfaces and reduces lateral slippage. The type B0 can also be fastened to the mounting surface through two holes.

The levelling feet are supplied fully assembled and are not removable.

Technical information

- [Stainless Steel characteristics](#)
- [Elastomer characteristics](#)



GN 44-S/SK

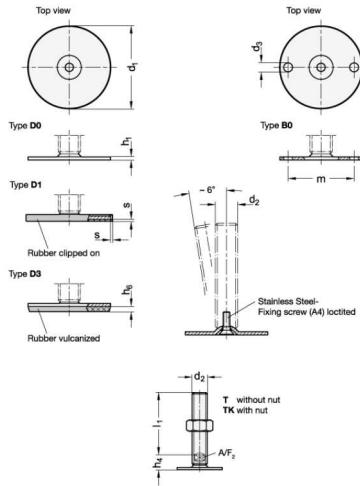
Description	d ₁	d ₂	l ₁	d ₃	h ₁	h ₃	h ₆	m	s	A/F 1	Static load in kN	Weight
GN 44-40-M8-40-D0-S	40	M 8	40	-	2	11	-	30	-	17	8	48
GN 44-40-M8-40-B0-S	40	M 8	40	5.4	2	11	-	30	-	17	8	38
GN 44-40-M8-40-D1-S	40	M 8	40	-	2	11	-	30	1.5	17	8	50
GN 44-40-M8-40-D3-S	40	M 8	40	-	2	11	3.5	30	-	17	8	50
GN 44-40-M8-50-D0-S	40	M 8	50	-	2	11	-	30	-	17	8	50
GN 44-40-M8-50-B0-S	40	M 8	50	5.4	2	11	-	30	-	17	8	142
GN 44-40-M8-50-D1-S	40	M 8	50	-	2	11	-	30	1.5	17	8	53
GN 44-40-M8-50-D3-S	40	M 8	50	-	2	11	3.5	30	-	17	8	53
GN 44-40-M8-63-D0-S	40	M 8	63	-	2	11	-	30	-	17	8	55
GN 44-40-M8-63-B0-S	40	M 8	63	5.4	2	11	-	30	-	17	8	146
GN 44-40-M8-63-D1-S	40	M 8	63	-	2	11	-	30	1.5	17	8	60
GN 44-40-M8-63-D3-S	40	M 8	63	-	2	11	3.5	30	-	17	8	60
GN 44-40-M10-50-D0-S	40	M 10	50	-	2	11	-	30	-	17	12	65
GN 44-40-M10-50-B0-S	40	M 10	50	5.4	2	11	-	30	-	17	12	175
GN 44-40-M10-50-D1-S	40	M 10	50	-	2	11	-	30	1.5	17	12	60
GN 44-40-M10-50-D3-S	40	M 10	50	-	2	11	3.5	30	-	17	12	60
GN 44-40-M10-60-D0-S	40	M 10	60	-	2	11	-	30	-	17	12	80
GN 44-40-M10-60-B0-S	40	M 10	60	5.4	2	11	-	30	-	17	12	175
GN 44-40-M10-60-D1-S	40	M 10	60	-	2	11	-	30	1.5	17	12	80
GN 44-40-M10-60-D3-S	40	M 10	60	-	2	11	3.5	30	-	17	12	80
GN 44-40-M10-80-D0-S	40	M 10	80	-	2	11	-	30	-	17	12	81
GN 44-40-M10-80-B0-S	40	M 10	80	5.4	2	11	-	30	-	17	12	185
GN 44-40-M10-80-D1-S	40	M 10	80	-	2	11	-	30	1.5	17	12	82
GN 44-40-M10-80-D3-S	40	M 10	80	-	2	11	3.5	30	-	17	12	84
GN 44-40-M10-100-D0-S	40	M 10	100	-	2	11	-	30	-	17	12	91
GN 44-40-M10-100-B0-S	40	M 10	100	5.4	2	11	-	30	-	17	12	196
GN 44-40-M10-100-D1-S	40	M 10	100	-	2	11	-	30	1.5	17	12	94
GN 44-40-M10-100-D3-S	40	M 10	100	-	2	11	3.5	30	-	17	12	80
GN 44-40-M12-60-D0-S	40	M 12	60	-	2	11	-	30	-	17	12	90
GN 44-40-M12-60-B0-S	40	M 12	60	5.4	2	11	-	30	-	17	12	66
GN 44-40-M12-60-D1-S	40	M 12	60	-	2	11	-	30	1.5	17	12	100
GN 44-40-M12-60-D3-S	40	M 12	60	-	2	11	3.5	30	-	17	12	60
GN 44-40-M12-80-D0-S	40	M 12	80	-	2	11	-	30	-	17	12	102
GN 44-40-M12-80-B0-S	40	M 12	80	5.4	2	11	-	30	-	17	12	203
GN 44-40-M12-80-D1-S	40	M 12	80	-	2	11	-	30	1.5	17	12	100
GN 44-40-M12-80-D3-S	40	M 12	80	-	2	11	3.5	30	-	17	12	102
GN 44-40-M12-100-D0-S	40	M 12	100	-	2	11	-	30	-	17	12	100
GN 44-40-M12-100-B0-S	40	M 12	100	5.4	2	11	-	30	-	17	12	218
GN 44-40-M12-100-D1-S	40	M 12	100	-	2	11	-	30	1.5	17	12	120
GN 44-40-M12-100-D3-S	40	M 12	100	-	2	11	3.5	30	-	17	12	122
GN 44-40-M12-125-D0-S	40	M 12	125	-	2	11	-	30	-	17	12	100
GN 44-40-M12-125-B0-S	40	M 12	125	5.4	2	11	-	30	-	17	12	235
GN 44-40-M12-125-D1-S	40	M 12	125	-	2	11	-	30	1.5	17	12	139
GN 44-40-M12-125-D3-S	40	M 12	125	-	2	11	3.5	30	-	17	12	140
GN 44-50-M8-40-D0-S	50	M 8	40	-	2.5	11	-	38	-	17	8	80
GN 44-50-M8-40-B0-S	50	M 8	40	6.6	2.5	11	-	38	-	17	8	60
GN 44-50-M8-40-D1-S	50	M 8	40	-	2.5	11	-	38	2	17	8	80
GN 44-50-M8-40-D3-S	50	M 8	40	-	2.5	11	4	38	-	17	8	74
GN 44-50-M8-50-D0-S	50	M 8	50	-	2.5	11	-	38	-	17	8	60
GN 44-50-M8-50-B0-S	50	M 8	50	6.6	2.5	11	-	38	-	17	8	60
GN 44-50-M8-50-D1-S	50	M 8	50	-	2.5	11	-	38	2	17	8	80
GN 44-50-M8-50-D3-S	50	M 8	50	-	2.5	11	4	38	-	17	8	80
GN 44-50-M8-63-D0-S	50	M 8	63	-	2.5	11	-	38	-	17	8	73
GN 44-50-M8-63-B0-S	50	M 8	63	6.6	2.5	11	-	38	-	17	8	65
GN 44-50-M8-63-D1-S	50	M 8	63	-	2.5	11	-	38	2	17	8	79
GN 44-50-M8-63-D3-S	50	M 8	63	-	2.5	11	4	38	-	17	8	82
GN 44-50-M10-50-D0-S	50	M 10	50	-	2.5	11	-	38	-	17	14	82
GN 44-50-M10-50-B0-S	50	M 10	50	6.6	2.5	11	-	38	-	17	14	90
GN 44-50-M10-50-D1-S	50	M 10	50	-	2.5	11	-	38	2	17	14	90
GN 44-50-M10-50-D3-S	50	M 10	50	-	2.5	11	4	38	-	17	14	80

GN 44-50-M10-60-D0-S	50	M 10	60	-	2.5	11	-	38	-	17	14	90
GN 44-50-M10-60-B0-S	50	M 10	60	6.6	2.5	11	-	38	-	17	14	94
GN 44-50-M10-60-D1-S	50	M 10	60	-	2.5	11	-	38	2	17	14	100
GN 44-50-M10-60-D3-S	50	M 10	60	-	2.5	11	4	38	-	17	14	98
GN 44-50-M10-80-D0-S	50	M 10	80	-	2.5	11	-	38	-	17	14	100
GN 44-50-M10-80-B0-S	50	M 10	80	6.6	2.5	11	-	38	-	17	14	104
GN 44-50-M10-80-D1-S	50	M 10	80	-	2.5	11	-	38	2	17	14	100
GN 44-50-M10-80-D3-S	50	M 10	80	-	2.5	11	4	38	-	17	14	109
GN 44-50-M10-100-D0-S	50	M 10	100	-	2.5	11	-	38	-	17	14	110
GN 44-50-M10-100-B0-S	50	M 10	100	6.6	2.5	11	-	38	-	17	14	120
GN 44-50-M10-100-D1-S	50	M 10	100	-	2.5	11	-	38	2	17	14	120
GN 44-50-M10-100-D3-S	50	M 10	100	-	2.5	11	4	38	-	17	14	100
GN 44-50-M12-60-D0-S	50	M 12	60	-	2.5	11	-	38	-	17	14	107
GN 44-50-M12-60-B0-S	50	M 12	60	6.6	2.5	11	-	38	-	17	14	108
GN 44-50-M12-60-D1-S	50	M 12	60	-	2.5	11	-	38	2	17	14	100
GN 44-50-M12-60-D3-S	50	M 12	60	-	2.5	11	4	38	-	17	14	117
GN 44-50-M12-80-D0-S	50	M 12	80	-	2.5	11	-	38	-	17	14	178
GN 44-50-M12-80-B0-S	50	M 12	80	6.6	2.5	11	-	38	-	17	14	100
GN 44-50-M12-80-D1-S	50	M 12	80	-	2.5	11	-	38	2	17	14	129
GN 44-50-M12-80-D3-S	50	M 12	80	-	2.5	11	4	38	-	17	14	120
GN 44-50-M12-100-D0-S	50	M 12	100	-	2.5	11	-	38	-	17	14	137
GN 44-50-M12-100-B0-S	50	M 12	100	6.6	2.5	11	-	38	-	17	14	137
GN 44-50-M12-100-D1-S	50	M 12	100	-	2.5	11	-	38	2	17	14	145
GN 44-50-M12-100-D3-S	50	M 12	100	-	2.5	11	4	38	-	17	14	145
GN 44-50-M12-125-D0-S	50	M 12	125	-	2.5	11	-	38	-	17	14	155
GN 44-50-M12-125-B0-S	50	M 12	125	6.6	2.5	11	-	38	-	17	14	154
GN 44-50-M12-125-D1-S	50	M 12	125	-	2.5	11	-	38	2	17	14	160
GN 44-50-M12-125-D3-S	50	M 12	125	-	2.5	11	4	38	-	17	14	165
GN 44-60-M8-40-D0-S	60	M 8	40	-	2.5	11	-	48	-	17	8	80
GN 44-60-M8-40-B0-S	60	M 8	40	6.6	2.5	11	-	48	-	17	8	74
GN 44-60-M8-40-D1-S	60	M 8	40	-	2.5	11	-	48	2	17	8	88
GN 44-60-M8-40-D3-S	60	M 8	40	-	2.5	11	4.5	48	-	17	8	100
GN 44-60-M8-50-D0-S	60	M 8	50	-	2.5	11	-	48	-	17	8	80
GN 44-60-M8-50-B0-S	60	M 8	50	6.6	2.5	11	-	48	-	17	8	78
GN 44-60-M8-50-D1-S	60	M 8	50	-	2.5	11	-	48	2	17	8	90
GN 44-60-M8-50-D3-S	60	M 8	50	-	2.5	11	4.5	48	-	17	8	100
GN 44-60-M8-63-D0-S	60	M 8	63	-	2.5	11	-	48	-	17	8	100
GN 44-60-M8-63-B0-S	60	M 8	63	6.6	2.5	11	-	48	-	17	8	82
GN 44-60-M8-63-D1-S	60	M 8	63	-	2.5	11	-	48	2	17	8	100
GN 44-60-M8-63-D3-S	60	M 8	63	-	2.5	11	4.5	48	-	17	8	100
GN 44-60-M10-50-D0-S	60	M 10	50	-	2.5	11	-	48	-	17	14	100
GN 44-60-M10-50-B0-S	60	M 10	50	6.6	2.5	11	-	48	-	17	14	107
GN 44-60-M10-50-D1-S	60	M 10	50	-	2.5	11	-	48	2	17	14	120
GN 44-60-M10-50-D3-S	60	M 10	50	-	2.5	11	4.5	48	-	17	14	114
GN 44-60-M10-60-D0-S	60	M 10	60	-	2.5	11	-	48	-	17	14	107
GN 44-60-M10-60-B0-S	60	M 10	60	6.6	2.5	11	-	48	-	17	14	111
GN 44-60-M10-60-D1-S	60	M 10	60	-	2.5	11	-	48	2	17	14	120
GN 44-60-M10-60-D3-S	60	M 10	60	-	2.5	11	4.5	48	-	17	14	119
GN 44-60-M10-80-D0-S	60	M 10	80	-	2.5	11	-	48	-	17	14	118
GN 44-60-M10-80-B0-S	60	M 10	80	6.6	2.5	11	-	48	-	17	14	121
GN 44-60-M10-80-D1-S	60	M 10	80	-	2.5	11	-	48	2	17	14	120
GN 44-60-M10-80-D3-S	60	M 10	80	-	2.5	11	4.5	48	-	17	14	140
GN 44-60-M10-100-D0-S	60	M 10	100	-	2.5	11	-	48	-	17	14	128
GN 44-60-M10-100-B0-S	60	M 10	100	6.6	2.5	11	-	48	-	17	14	120
GN 44-60-M10-100-D1-S	60	M 10	100	-	2.5	11	-	48	2	17	14	138
GN 44-60-M10-100-D3-S	60	M 10	100	-	2.5	11	4.5	48	-	17	14	140
GN 44-60-M12-60-D0-S	60	M 12	60	-	2.5	11	-	48	-	17	16	126
GN 44-60-M12-60-B0-S	60	M 12	60	6.6	2.5	11	-	48	-	17	16	125
GN 44-60-M12-60-D1-S	60	M 12	60	-	2.5	11	-	48	2	17	16	133
GN 44-60-M12-60-D3-S	60	M 12	60	-	2.5	11	4.5	48	-	17	16	139
GN 44-60-M12-80-D0-S	60	M 12	80	-	2.5	11	-	48	-	17	16	137
GN 44-60-M12-80-B0-S	60	M 12	80	6.6	2.5	11	-	48	-	17	16	139
GN 44-60-M12-80-D1-S	60	M 12	80	-	2.5	11	-	48	2	17	16	148
GN 44-60-M12-80-D3-S	60	M 12	80	-	2.5	11	4.5	48	-	17	16	131
GN 44-60-M12-100-D0-S	60	M 12	100	-	2.5	11	-	48	-	17	16	153
GN 44-60-M12-100-B0-S	60	M 12	100	6.6	2.5	11	-	48	-	17	16	154
GN 44-60-M12-100-D1-S	60	M 12	100	-	2.5	11	-	48	2	17	16	150
GN 44-60-M12-100-D3-S	60	M 12	100	-	2.5	11	4.5	48	-	17	16	160
GN 44-60-M12-125-D0-S	60	M 12	125	-	2.5	11	-	48	-	17	16	172
GN 44-60-M12-125-B0-S	60	M 12	125	6.6	2.5	11	-	48	-	17	16	171
GN 44-60-M12-125-D1-S	60	M 12	125	-	2.5	11	-	48	2	17	16	180
GN 44-60-M12-125-D3-S	60	M 12	125	-	2.5	11	4.5	48	-	17	16	186
GN 44-80-M8-40-D0-S	80	M 8	40	-	3	12	-	64	-	17	8	142
GN 44-80-M8-40-B0-S	80	M 8	40	8.5	3	12	-	64	-	17	8	138
GN 44-80-M8-40-D1-S	80	M 8	40	-	3	12	-	64	2	17	8	160
GN 44-80-M8-40-D3-S	80	M 8	40	-	3	12	5	64	-	17	8	180
GN 44-80-M8-50-D0-S	80	M 8	50	-	3	12	-	64	-	17	8	160
GN 44-80-M8-50-B0-S	80	M 8	50	8.5	3	12	-	64	-	17	8	142
GN 44-80-M8-50-D1-S	80	M 8	50	-	3	12	-	64	2	17	8	160
GN 44-80-M8-50-D3-S	80	M 8	50	-	3	12	5	64	-	17	8	150
GN 44-80-M8-63-D0-S	80	M 8	63	-	3	12	-	64	-	17	8	149
GN 44-80-M8-63-B0-S	80	M 8	63	8.5	3	12	-	64	-	17	8	146
GN 44-80-M8-63-D1-S	80	M 8	63	-	3	12	-	64	2	17	8	159
GN 44-80-M8-63-D3-S	80	M 8	63	-	3	12	5	64	-	17	8	180
GN 44-80-M10-50-D0-S	80	M 10	50	-	3	12	-	64	-	17	14	157
GN 44-80-M10-50-B0-S	80	M 10	50	8.5	3	12	-	64	-	17	14	171
GN 44-80-M10-50-D1-S	80	M 10	50	-	3	12	-	64	2	17	14	180
GN 44-80-M10-50-D3-S	80	M 10	50	-	3	12	5	64	-	17	14	180
GN 44-80-M10-60-D0-S	80	M 10	60	-	3	12	-	64	-	17	14	160
GN 44-80-M10-60-B0-S	80	M 10	60	8.5	3	12	-	64	-	17	14	175
GN 44-80-M10-60-D1-S	80	M 10	60	-	3	12	-	64	2	17	14	174
GN 44-80-M10-60-D3-S	80	M 10	60	-	3	12	5	64	-	17	14	196

GN 44-80-M10-80-D0-S	80	M 10	80	-	3	12	-	64	-	17	14	185
GN 44-80-M10-80-B0-S	80	M 10	80	8.5	3	12	-	64	-	17	14	198
GN 44-80-M10-80-D1-S	80	M 10	80	-	3	12	-	64	2	17	14	181
GN 44-80-M10-80-D3-S	80	M 10	80	-	3	12	5	64	-	17	14	211
GN 44-80-M10-100-D0-S	80	M 10	100	-	3	12	-	64	-	17	14	186
GN 44-80-M10-100-B0-S	80	M 10	100	8.5	3	12	-	64	-	17	14	196
GN 44-80-M10-100-D1-S	80	M 10	100	-	3	12	-	64	2	17	14	210
GN 44-80-M10-100-D3-S	80	M 10	100	-	3	12	5	64	-	17	14	216
GN 44-80-M12-60-D0-S	80	M 12	60	-	3	12	-	64	-	17	20	189
GN 44-80-M12-60-B0-S	80	M 12	60	8.5	3	12	-	64	-	17	20	150
GN 44-80-M12-60-D1-S	80	M 12	60	-	3	12	-	64	2	17	20	200
GN 44-80-M12-60-D3-S	80	M 12	60	-	3	12	5	64	-	17	20	214
GN 44-80-M12-80-D0-S	80	M 12	80	-	3	12	-	64	-	17	20	204
GN 44-80-M12-80-B0-S	80	M 12	80	8.5	3	12	-	64	-	17	20	203
GN 44-80-M12-80-D1-S	80	M 12	80	-	3	12	-	64	2	17	20	218
GN 44-80-M12-80-D3-S	80	M 12	80	-	3	12	5	64	-	17	20	220
GN 44-80-M12-100-D0-S	80	M 12	100	-	3	12	-	64	-	17	20	214
GN 44-80-M12-100-B0-S	80	M 12	100	8.5	3	12	-	64	-	17	20	218
GN 44-80-M12-100-D1-S	80	M 12	100	-	3	12	-	64	2	17	20	228
GN 44-80-M12-100-D3-S	80	M 12	100	-	3	12	5	64	-	17	20	245
GN 44-80-M12-125-D0-S	80	M 12	125	-	3	12	-	64	-	17	20	237
GN 44-80-M12-125-B0-S	80	M 12	125	8.5	3	12	-	64	-	17	20	235
GN 44-80-M12-125-D1-S	80	M 12	125	-	3	12	-	64	2	17	20	240
GN 44-80-M12-125-D3-S	80	M 12	125	-	3	12	5	64	-	17	20	250
GN 44-40-M8-40-D0-SK	40	M 8	40	-	2	11	-	30	-	17	8	48
GN 44-40-M8-40-B0-SK	40	M 8	40	5.4	2	11	-	30	-	17	8	142
GN 44-40-M8-40-D1-SK	40	M 8	40	-	2	11	-	30	1.5	17	8	50
GN 44-40-M8-40-D3-SK	40	M 8	40	-	2	11	3.5	30	-	17	8	50
GN 44-40-M8-50-D0-SK	40	M 8	50	-	2	11	-	30	-	17	8	50
GN 44-40-M8-50-B0-SK	40	M 8	50	5.4	2	11	-	30	-	17	8	146
GN 44-40-M8-50-D1-SK	40	M 8	50	-	2	11	-	30	1.5	17	8	53
GN 44-40-M8-50-D3-SK	40	M 8	50	-	2	11	3.5	30	-	17	8	55
GN 44-40-M8-63-D0-SK	40	M 8	63	-	2	11	-	30	-	17	8	55
GN 44-40-M8-63-B0-SK	40	M 8	63	5.4	2	11	-	30	-	17	8	50
GN 44-40-M8-63-D1-SK	40	M 8	63	-	2	11	-	30	1.5	17	8	60
GN 44-40-M8-63-D3-SK	40	M 8	63	-	2	11	3.5	30	-	17	8	60
GN 44-40-M10-50-D0-SK	40	M 10	50	-	2	11	-	30	-	17	12	65
GN 44-40-M10-50-B0-SK	40	M 10	50	5.4	2	11	-	30	-	17	12	180
GN 44-40-M10-50-D1-SK	40	M 10	50	-	2	11	-	30	1.5	17	12	68
GN 44-40-M10-50-D3-SK	40	M 10	50	-	2	11	3.5	30	-	17	12	68
GN 44-40-M10-60-D0-SK	40	M 10	60	-	2	11	-	30	-	17	12	80
GN 44-40-M10-60-B0-SK	40	M 10	60	5.4	2	11	-	30	-	17	12	184
GN 44-40-M10-60-D1-SK	40	M 10	60	-	2	11	-	30	1.5	17	12	60
GN 44-40-M10-60-D3-SK	40	M 10	60	-	2	11	3.5	30	-	17	12	80
GN 44-40-M10-80-D0-SK	40	M 10	80	-	2	11	-	30	-	17	12	81
GN 44-40-M10-80-B0-SK	40	M 10	80	5.4	2	11	-	30	-	17	12	80
GN 44-40-M10-80-D1-SK	40	M 10	80	-	2	11	-	30	1.5	17	12	82
GN 44-40-M10-80-D3-SK	40	M 10	80	-	2	11	3.5	30	-	17	12	84
GN 44-40-M10-100-D0-SK	40	M 10	100	-	2	11	-	30	-	17	12	91
GN 44-40-M10-100-B0-SK	40	M 10	100	5.4	2	11	-	30	-	17	12	90
GN 44-40-M10-100-D1-SK	40	M 10	100	-	2	11	-	30	1.5	17	12	94
GN 44-40-M10-100-D3-SK	40	M 10	100	-	2	11	3.5	30	-	17	12	92
GN 44-40-M12-60-D0-SK	40	M 12	60	-	2	11	-	30	-	17	12	90
GN 44-40-M12-60-B0-SK	40	M 12	60	5.4	2	11	-	30	-	17	12	201
GN 44-40-M12-60-D1-SK	40	M 12	60	-	2	11	-	30	1.5	17	12	100
GN 44-40-M12-60-D3-SK	40	M 12	60	-	2	11	3.5	30	-	17	12	93
GN 44-40-M12-80-D0-SK	40	M 12	80	-	2	11	-	30	-	17	12	102
GN 44-40-M12-80-B0-SK	40	M 12	80	5.4	2	11	-	30	-	17	12	215
GN 44-40-M12-80-D1-SK	40	M 12	80	-	2	11	-	30	1.5	17	12	100
GN 44-40-M12-80-D3-SK	40	M 12	80	-	2	11	3.5	30	-	17	12	102
GN 44-40-M12-100-D0-SK	40	M 12	100	-	2	11	-	30	-	17	12	119
GN 44-40-M12-100-B0-SK	40	M 12	100	5.4	2	11	-	30	-	17	12	230
GN 44-40-M12-100-D1-SK	40	M 12	100	-	2	11	-	30	1.5	17	12	120
GN 44-40-M12-100-D3-SK	40	M 12	100	-	2	11	3.5	30	-	17	12	120
GN 44-40-M12-125-D0-SK	40	M 12	125	-	2	11	-	30	-	17	12	247
GN 44-40-M12-125-B0-SK	40	M 12	125	5.4	2	11	-	30	-	17	12	139
GN 44-40-M12-125-D1-SK	40	M 12	125	-	2	11	-	30	1.5	17	12	136
GN 44-40-M12-125-D3-SK	40	M 12	125	-	2	11	3.5	30	-	17	12	140
GN 44-50-M8-40-D0-SK	50	M 8	40	-	2.5	11	-	38	-	17	8	60
GN 44-50-M8-40-B0-SK	50	M 8	40	6.6	2.5	11	-	38	-	17	8	61
GN 44-50-M8-40-D1-SK	50	M 8	40	-	2.5	11	-	38	2	17	8	80
GN 44-50-M8-40-D3-SK	50	M 8	40	-	2.5	11	4	38	-	17	8	74
GN 44-50-M8-50-D0-SK	50	M 8	50	-	2.5	11	-	38	-	17	8	64
GN 44-50-M8-50-B0-SK	50	M 8	50	6.6	2.5	11	-	38	-	17	8	60
GN 44-50-M8-50-D1-SK	50	M 8	50	-	2.5	11	-	38	2	17	8	80
GN 44-50-M8-50-D3-SK	50	M 8	50	-	2.5	11	4	38	-	17	8	62
GN 44-50-M8-63-D0-SK	50	M 8	63	-	2.5	11	-	38	-	17	8	73
GN 44-50-M8-63-B0-SK	50	M 8	63	6.6	2.5	11	-	38	-	17	8	69
GN 44-50-M8-63-D1-SK	50	M 8	63	-	2.5	11	-	38	2	17	8	79
GN 44-50-M8-63-D3-SK	50	M 8	63	-	2.5	11	4	38	-	17	8	82
GN 44-50-M10-50-D0-SK	50	M 10	50	-	2.5	11	-	38	-	17	14	82
GN 44-50-M10-50-B0-SK	50	M 10	50	6.6	2.5	11	-	38	-	17	14	99
GN 44-50-M10-50-D1-SK	50	M 10	50	-	2.5	11	-	38	2	17	14	90
GN 44-50-M10-50-D3-SK	50	M 10	50	-	2.5	11	4	38	-	17	14	91
GN 44-50-M10-60-D0-SK	50	M 10	60	-	2.5	11	-	38	-	17	14	90
GN 44-50-M10-60-B0-SK	50	M 10	60	6.6	2.5	11	-	38	-	17	14	103
GN 44-50-M10-60-D1-SK	50	M 10	60	-	2.5	11	-	38	2	17	14	100
GN 44-50-M10-60-D3-SK	50	M 10	60	-	2.5	11	4	38	-	17	14	98
GN 44-50-M10-80-D0-SK	50	M 10	80	-	2.5	11	-	38	-	17	14	100
GN 44-50-M10-80-B0-SK	50	M 10	80	6.6	2.5	11	-	38	-	17	14	113
GN 44-50-M10-80-D1-SK	50	M 10	80	-	2.5	11	-	38	2	17	14	100
GN 44-50-M10-80-D3-SK	50	M 10	80	-	2.5	11	4	38	-	17	14	109

GN 44-50-M10-100-D0-SK	50	M 10	100	-	2.5	11	-	38	-	17	14	110
GN 44-50-M10-100-B0-SK	50	M 10	100	6.6	2.5	11	-	38	-	17	14	124
GN 44-50-M10-100-D1-SK	50	M 10	100	-	2.5	11	-	38	2	17	14	120
GN 44-50-M10-100-D3-SK	50	M 10	100	-	2.5	11	4	38	-	17	14	118
GN 44-50-M12-60-D0-SK	50	M 12	60	-	2.5	11	-	38	-	17	14	107
GN 44-50-M12-60-B0-SK	50	M 12	60	6.6	2.5	11	-	38	-	17	14	120
GN 44-50-M12-60-D1-SK	50	M 12	60	-	2.5	11	-	38	2	17	14	120
GN 44-50-M12-60-D3-SK	50	M 12	60	-	2.5	11	4	38	-	17	14	107
GN 44-50-M12-80-D0-SK	50	M 12	80	-	2.5	11	-	38	-	17	14	120
GN 44-50-M12-80-B0-SK	50	M 12	80	6.6	2.5	11	-	38	-	17	14	134
GN 44-50-M12-80-D1-SK	50	M 12	80	-	2.5	11	-	38	2	17	14	129
GN 44-50-M12-80-D3-SK	50	M 12	80	-	2.5	11	4	38	-	17	14	130
GN 44-50-M12-100-D0-SK	50	M 12	100	-	2.5	11	-	38	-	17	14	137
GN 44-50-M12-100-B0-SK	50	M 12	100	6.6	2.5	11	-	38	-	17	14	149
GN 44-50-M12-100-D1-SK	50	M 12	100	-	2.5	11	-	38	2	17	14	145
GN 44-50-M12-100-D3-SK	50	M 12	100	-	2.5	11	4	38	-	17	14	145
GN 44-50-M12-125-D0-SK	50	M 12	125	-	2.5	11	-	38	-	17	14	155
GN 44-50-M12-125-B0-SK	50	M 12	125	6.6	2.5	11	-	38	-	17	14	166
GN 44-50-M12-125-D1-SK	50	M 12	125	-	2.5	11	-	38	2	17	14	160
GN 44-50-M12-125-D3-SK	50	M 12	125	-	2.5	11	4	38	-	17	14	165
GN 44-60-M8-40-D0-SK	60	M 8	40	-	2.5	11	-	48	-	17	8	80
GN 44-60-M8-40-B0-SK	60	M 8	40	6.6	2.5	11	-	48	-	17	8	78
GN 44-60-M8-40-D1-SK	60	M 8	40	-	2.5	11	-	48	2	17	8	88
GN 44-60-M8-40-D3-SK	60	M 8	40	-	2.5	11	4.5	48	-	17	8	100
GN 44-60-M8-50-D0-SK	60	M 8	50	-	2.5	11	-	48	-	17	8	80
GN 44-60-M8-50-B0-SK	60	M 8	50	6.6	2.5	11	-	48	-	17	8	82
GN 44-60-M8-50-D1-SK	60	M 8	50	-	2.5	11	-	48	2	17	8	90
GN 44-60-M8-50-D3-SK	60	M 8	50	-	2.5	11	4.5	48	-	17	8	100
GN 44-60-M8-63-D0-SK	60	M 8	63	-	2.5	11	-	48	-	17	8	100
GN 44-60-M8-63-B0-SK	60	M 8	63	6.6	2.5	11	-	48	-	17	8	86
GN 44-60-M8-63-D1-SK	60	M 8	63	-	2.5	11	-	48	2	17	8	100
GN 44-60-M8-63-D3-SK	60	M 8	63	-	2.5	11	4.5	48	-	17	8	100
GN 44-60-M10-50-D0-SK	60	M 10	50	-	2.5	11	-	48	-	17	14	100
GN 44-60-M10-50-B0-SK	60	M 10	50	6.6	2.5	11	-	48	-	17	14	116
GN 44-60-M10-50-D1-SK	60	M 10	50	-	2.5	11	-	48	2	17	14	120
GN 44-60-M10-50-D3-SK	60	M 10	50	-	2.5	11	4.5	48	-	17	14	114
GN 44-60-M10-60-D0-SK	60	M 10	60	-	2.5	11	-	48	-	17	14	107
GN 44-60-M10-60-B0-SK	60	M 10	60	6.6	2.5	11	-	48	-	17	14	100
GN 44-60-M10-60-D1-SK	60	M 10	60	-	2.5	11	-	48	2	17	14	120
GN 44-60-M10-60-D3-SK	60	M 10	60	-	2.5	11	4.5	48	-	17	14	119
GN 44-60-M10-80-D0-SK	60	M 10	80	-	2.5	11	-	48	-	17	14	118
GN 44-60-M10-80-B0-SK	60	M 10	80	6.6	2.5	11	-	48	-	17	14	130
GN 44-60-M10-80-D1-SK	60	M 10	80	-	2.5	11	-	48	2	17	14	120
GN 44-60-M10-80-D3-SK	60	M 10	80	-	2.5	11	4.5	48	-	17	14	140
GN 44-60-M10-100-D0-SK	60	M 10	100	-	2.5	11	-	48	-	17	14	128
GN 44-60-M10-100-B0-SK	60	M 10	100	6.6	2.5	11	-	48	-	17	14	141
GN 44-60-M10-100-D1-SK	60	M 10	100	-	2.5	11	-	48	2	17	14	138
GN 44-60-M10-100-D3-SK	60	M 10	100	-	2.5	11	4.5	48	-	17	14	140
GN 44-60-M12-60-D0-SK	60	M 12	60	-	2.5	11	-	48	-	17	16	126
GN 44-60-M12-60-B0-SK	60	M 12	60	6.6	2.5	11	-	48	-	17	16	137
GN 44-60-M12-60-D1-SK	60	M 12	60	-	2.5	11	-	48	2	17	16	133
GN 44-60-M12-60-D3-SK	60	M 12	60	-	2.5	11	4.5	48	-	17	16	139
GN 44-60-M12-80-D0-SK	60	M 12	80	-	2.5	11	-	48	-	17	16	137
GN 44-60-M12-80-B0-SK	60	M 12	80	6.6	2.5	11	-	48	-	17	16	151
GN 44-60-M12-80-D1-SK	60	M 12	80	-	2.5	11	-	48	2	17	16	148
GN 44-60-M12-80-D3-SK	60	M 12	80	-	2.5	11	4.5	48	-	17	16	131
GN 44-60-M12-100-D0-SK	60	M 12	100	-	2.5	11	-	48	-	17	16	153
GN 44-60-M12-100-B0-SK	60	M 12	100	6.6	2.5	11	-	48	-	17	16	166
GN 44-60-M12-100-D1-SK	60	M 12	100	-	2.5	11	-	48	2	17	16	150
GN 44-60-M12-100-D3-SK	60	M 12	100	-	2.5	11	4.5	48	-	17	16	168
GN 44-60-M12-125-D0-SK	60	M 12	125	-	2.5	11	-	48	-	17	16	172
GN 44-60-M12-125-B0-SK	60	M 12	125	6.6	2.5	11	-	48	-	17	16	182
GN 44-60-M12-125-D1-SK	60	M 12	125	-	2.5	11	-	48	2	17	16	180
GN 44-60-M12-125-D3-SK	60	M 12	125	-	2.5	11	4.5	48	-	17	16	186
GN 44-80-M8-40-D0-SK	80	M 8	40	-	3	12	-	64	-	17	8	142
GN 44-80-M8-40-B0-SK	80	M 8	40	8.5	3	12	-	64	-	17	8	142
GN 44-80-M8-40-D1-SK	80	M 8	40	-	3	12	-	64	2	17	8	160
GN 44-80-M8-40-D3-SK	80	M 8	40	-	3	12	5	64	-	17	8	180
GN 44-80-M8-50-D0-SK	80	M 8	50	-	3	12	-	64	-	17	8	160
GN 44-80-M8-50-B0-SK	80	M 8	50	8.5	3	12	-	64	-	17	8	146
GN 44-80-M8-50-D1-SK	80	M 8	50	-	3	12	-	64	2	17	8	160
GN 44-80-M8-50-D3-SK	80	M 8	50	-	3	12	5	64	-	17	8	150
GN 44-80-M8-63-D0-SK	80	M 8	63	-	3	12	-	64	-	17	8	149
GN 44-80-M8-63-B0-SK	80	M 8	63	8.5	3	12	-	64	-	17	8	150
GN 44-80-M8-63-D1-SK	80	M 8	63	-	3	12	-	64	2	17	8	163
GN 44-80-M8-63-D3-SK	80	M 8	63	-	3	12	5	64	-	17	8	180
GN 44-80-M10-50-D0-SK	80	M 10	50	-	3	12	-	64	-	17	14	167
GN 44-80-M10-50-B0-SK	80	M 10	50	8.5	3	12	-	64	-	17	14	180
GN 44-80-M10-50-D1-SK	80	M 10	50	-	3	12	-	64	2	17	14	180
GN 44-80-M10-50-D3-SK	80	M 10	50	-	3	12	5	64	-	17	14	180
GN 44-80-M10-60-D0-SK	80	M 10	60	-	3	12	-	64	-	17	14	160
GN 44-80-M10-60-B0-SK	80	M 10	60	8.5	3	12	-	64	-	17	14	165
GN 44-80-M10-60-D1-SK	80	M 10	60	-	3	12	-	64	2	17	14	180
GN 44-80-M10-60-D3-SK	80	M 10	60	-	3	12	5	64	-	17	14	196
GN 44-80-M10-80-D0-SK	80	M 10	80	-	3	12	-	64	-	17	14	180
GN 44-80-M10-80-B0-SK	80	M 10	80	8.5	3	12	-	64	-	17	14	194
GN 44-80-M10-80-D1-SK	80	M 10	80	-	3	12	-	64	2	17	14	198
GN 44-80-M10-80-D3-SK	80	M 10	80	-	3	12	5	64	-	17	14	211
GN 44-80-M10-100-D0-SK	80	M 10	100	-	3	12	-	64	-	17	14	186
GN 44-80-M10-100-B0-SK	80	M 10	100	8.5	3	12	-	64	-	17	14	205
GN 44-80-M10-100-D1-SK	80	M 10	100	-	3	12	-	64	2	17	14	210
GN 44-80-M10-100-D3-SK	80	M 10	100	-	3	12	5	64	-	17	14	216

GN 44-80-M12-60-D0-SK	80	M 12	60	-	3	12	-	64	-	17	20	189
GN 44-80-M12-60-B0-SK	80	M 12	60	8.5	3	12	-	64	-	17	20	201
GN 44-80-M12-60-D1-SK	80	M 12	60	-	3	12	-	64	2	17	20	200
GN 44-80-M12-60-D3-SK	80	M 12	60	-	3	12	5	64	-	17	20	214
GN 44-80-M12-80-D0-SK	80	M 12	80	-	3	12	-	64	-	17	20	200
GN 44-80-M12-80-B0-SK	80	M 12	80	8.5	3	12	-	64	-	17	20	215
GN 44-80-M12-80-D1-SK	80	M 12	80	-	3	12	-	64	2	17	20	218
GN 44-80-M12-80-D3-SK	80	M 12	80	-	3	12	5	64	-	17	20	220
GN 44-80-M12-100-D0-SK	80	M 12	100	-	3	12	-	64	-	17	20	214
GN 44-80-M12-100-B0-SK	80	M 12	100	8.5	3	12	-	64	-	17	20	230
GN 44-80-M12-100-D1-SK	80	M 12	100	-	3	12	-	64	2	17	20	228
GN 44-80-M12-100-D3-SK	80	M 12	100	-	3	12	5	64	-	17	20	245
GN 44-80-M12-125-D0-SK	80	M 12	125	-	3	12	-	64	-	17	20	237
GN 44-80-M12-125-B0-SK	80	M 12	125	8.5	3	12	-	64	-	17	20	247
GN 44-80-M12-125-D1-SK	80	M 12	125	-	3	12	-	64	2	17	20	240
GN 44-80-M12-125-D3-SK	80	M 12	125	-	3	12	5	64	-	17	20	265



GN 44-T/TK

Description	d ₁	d ₂	l ₁	d ₃	h ₁	h ₄	h ₆	m	s	A/F 2	Static load in kN	Weight
GN 44-40-M16-75-D0-T	40	M 16	75	-	2	17	-	30	-	12	12	132
GN 44-40-M16-75-D1-T	40	M 16	75	-	2	17	-	30	1.5	12	12	129
GN 44-40-M16-75-D3-T	40	M 16	75	-	2	17	3.5	30	-	12	12	150
GN 44-40-M16-100-D0-T	40	M 16	100	-	2	17	-	30	-	12	12	180
GN 44-40-M16-100-D1-T	40	M 16	100	-	2	17	-	30	1.5	12	12	200
GN 44-40-M16-100-D3-T	40	M 16	100	-	2	17	3.5	30	-	12	12	174
GN 44-40-M16-125-D0-T	40	M 16	125	-	2	17	-	30	-	12	12	194
GN 44-40-M16-125-D1-T	40	M 16	125	-	2	17	-	30	1.5	12	12	197
GN 44-40-M16-125-D3-T	40	M 16	125	-	2	17	3.5	30	-	12	12	150
GN 44-40-M16-150-D0-T	40	M 16	150	-	2	17	-	30	-	12	12	226
GN 44-40-M16-150-D1-T	40	M 16	150	-	2	17	-	30	1.5	12	12	229
GN 44-40-M16-150-D3-T	40	M 16	150	-	2	17	3.5	30	-	12	12	238
GN 44-40-M16-200-D0-T	40	M 16	200	-	2	17	-	30	-	12	12	569
GN 44-40-M16-200-D1-T	40	M 16	200	-	2	17	-	30	1.5	12	12	572
GN 44-40-M16-200-D3-T	40	M 16	200	-	2	17	3.5	30	-	12	12	581
GN 44-50-M16-75-D0-T	50	M 16	75	-	2.5	17	-	38	-	12	14	146
GN 44-50-M16-75-B0-T	50	M 16	75	6.6	2.5	17	-	38	-	12	14	149
GN 44-50-M16-75-D1-T	50	M 16	75	-	2.5	17	-	38	2	12	14	155
GN 44-50-M16-75-D3-T	50	M 16	75	-	2.5	17	4	38	-	12	14	150
GN 44-50-M16-100-D0-T	50	M 16	100	-	2.5	17	-	38	-	12	14	182
GN 44-50-M16-100-B0-T	50	M 16	100	6.6	2.5	17	-	38	-	12	14	179
GN 44-50-M16-100-D1-T	50	M 16	100	-	2.5	17	-	38	2	12	14	188
GN 44-50-M16-100-D3-T	50	M 16	100	-	2.5	17	4	38	-	12	14	183
GN 44-50-M16-125-D0-T	50	M 16	125	-	2.5	17	-	38	-	12	14	214
GN 44-50-M16-125-B0-T	50	M 16	125	6.6	2.5	17	-	38	-	12	14	211
GN 44-50-M16-125-D1-T	50	M 16	125	-	2.5	17	-	38	2	12	14	220
GN 44-50-M16-125-D3-T	50	M 16	125	-	2.5	17	4	38	-	12	14	215
GN 44-50-M16-150-D0-T	50	M 16	150	-	2.5	17	-	38	-	12	14	246
GN 44-50-M16-150-B0-T	50	M 16	150	6.6	2.5	17	-	38	-	12	14	243
GN 44-50-M16-150-D1-T	50	M 16	150	-	2.5	17	-	38	2	12	14	256
GN 44-50-M16-150-D3-T	50	M 16	150	-	2.5	17	4	38	-	12	14	247
GN 44-50-M16-200-D0-T	50	M 16	200	-	2.5	17	-	38	-	12	14	300
GN 44-50-M16-200-B0-T	50	M 16	200	6.6	2.5	17	-	38	-	12	14	586
GN 44-50-M16-200-D1-T	50	M 16	200	-	2.5	17	-	38	2	12	14	595
GN 44-50-M16-200-D3-T	50	M 16	200	-	2.5	17	4	38	-	12	14	324
GN 44-60-M16-75-D0-T	60	M 16	75	-	2.5	17	-	48	-	12	16	162
GN 44-60-M16-75-B0-T	60	M 16	75	6.6	2.5	17	-	48	-	12	16	166
GN 44-60-M16-75-D1-T	60	M 16	75	-	2.5	17	-	48	2	12	16	174
GN 44-60-M16-75-D3-T	60	M 16	75	-	2.5	17	4.5	48	-	12	16	170
GN 44-60-M16-100-D0-T	60	M 16	100	-	2.5	17	-	48	-	12	16	195
GN 44-60-M16-100-B0-T	60	M 16	100	6.6	2.5	17	-	48	-	12	16	199
GN 44-60-M16-100-D1-T	60	M 16	100	-	2.5	17	-	48	2	12	16	207
GN 44-60-M16-100-D3-T	60	M 16	100	-	2.5	17	4.5	48	-	12	16	218
GN 44-60-M16-125-D0-T	60	M 16	125	-	2.5	17	-	48	-	12	16	231
GN 44-60-M16-125-B0-T	60	M 16	125	6.6	2.5	17	-	48	-	12	16	227
GN 44-60-M16-125-D1-T	60	M 16	125	-	2.5	17	-	48	2	12	16	239
GN 44-60-M16-125-D3-T	60	M 16	125	-	2.5	17	4.5	48	-	12	16	235
GN 44-60-M16-150-D0-T	60	M 16	150	-	2.5	17	-	48	-	12	16	263
GN 44-60-M16-150-B0-T	60	M 16	150	6.6	2.5	17	-	48	-	12	16	259
GN 44-60-M16-150-D1-T	60	M 16	150	-	2.5	17	-	48	2	12	16	271
GN 44-60-M16-150-D3-T	60	M 16	150	-	2.5	17	4.5	48	-	12	16	200
GN 44-60-M16-200-D0-T	60	M 16	200	-	2.5	17	-	48	-	12	16	340
GN 44-60-M16-200-B0-T	60	M 16	200	6.6	2.5	17	-	48	-	12	16	602
GN 44-60-M16-200-D1-T	60	M 16	200	-	2.5	17	-	48	2	12	16	615
GN 44-60-M16-200-D3-T	60	M 16	200	-	2.5	17	4.5	48	-	12	16	610
GN 44-80-M16-75-D0-T	80	M 16	75	-	3	18	-	64	-	12	20	227
GN 44-80-M16-75-B0-T	80	M 16	75	8.5	3	18	-	64	-	12	20	226
GN 44-80-M16-75-D1-T	80	M 16	75	-	3	18	-	64	2	12	20	240
GN 44-80-M16-75-D3-T	80	M 16	75	-	3	18	5	64	-	12	20	261
GN 44-80-M16-100-D0-T	80	M 16	100	-	3	18	-	64	-	12	20	259

GN 44-80-M16-100-B0-T	80	M 16	100	8.5	3	18	-	64	-	12	20	260
GN 44-80-M16-100-D1-T	80	M 16	100	-	3	18	-	64	2	12	20	280
GN 44-80-M16-100-D3-T	80	M 16	100	-	3	18	5	64	-	12	20	250
GN 44-80-M16-125-D0-T	80	M 16	125	-	3	18	-	64	-	12	20	291
GN 44-80-M16-125-B0-T	80	M 16	125	8.5	3	18	-	64	-	12	20	292
GN 44-80-M16-125-D1-T	80	M 16	125	-	3	18	-	64	2	12	20	305
GN 44-80-M16-125-D3-T	80	M 16	125	-	3	18	5	64	-	12	20	315
GN 44-80-M16-150-D0-T	80	M 16	150	-	3	18	-	64	-	12	20	323
GN 44-80-M16-150-B0-T	80	M 16	150	8.5	3	18	-	64	-	12	20	324
GN 44-80-M16-150-D1-T	80	M 16	150	-	3	18	-	64	2	12	20	347
GN 44-80-M16-150-D3-T	80	M 16	150	-	3	18	5	64	-	12	20	360
GN 44-80-M16-200-D0-T	80	M 16	200	-	3	18	-	64	-	12	20	666
GN 44-80-M16-200-B0-T	80	M 16	200	8.5	3	18	-	64	-	12	20	667
GN 44-80-M16-200-D1-T	80	M 16	200	-	3	18	-	64	2	12	20	400
GN 44-80-M16-200-D3-T	80	M 16	200	-	3	18	5	64	-	12	20	450
GN 44-80-M20-75-D0-T	80	M 20	75	-	3	19	-	64	-	15	20	281
GN 44-80-M20-75-B0-T	80	M 20	75	8.5	3	19	-	64	-	15	20	299
GN 44-80-M20-75-D1-T	80	M 20	75	-	3	19	-	64	2	15	20	295
GN 44-80-M20-75-D3-T	80	M 20	75	-	3	19	5	64	-	15	20	319
GN 44-80-M20-100-D0-T	80	M 20	100	-	3	19	-	64	-	15	20	340
GN 44-80-M20-100-B0-T	80	M 20	100	8.5	3	19	-	64	-	15	20	200
GN 44-80-M20-100-D1-T	80	M 20	100	-	3	19	-	64	2	15	20	354
GN 44-80-M20-100-D3-T	80	M 20	100	-	3	19	5	64	-	15	20	364
GN 44-80-M20-125-D0-T	80	M 20	125	-	3	19	-	64	-	15	20	390
GN 44-80-M20-125-B0-T	80	M 20	125	8.5	3	19	-	64	-	15	20	390
GN 44-80-M20-125-D1-T	80	M 20	125	-	3	19	-	64	2	15	20	200
GN 44-80-M20-125-D3-T	80	M 20	125	-	3	19	5	64	-	15	20	414
GN 44-80-M20-150-D0-T	80	M 20	150	-	3	19	-	64	-	15	20	441
GN 44-80-M20-150-B0-T	80	M 20	150	8.5	3	19	-	64	-	15	20	441
GN 44-80-M20-150-D1-T	80	M 20	150	-	3	19	-	64	2	15	20	455
GN 44-80-M20-150-D3-T	80	M 20	150	-	3	19	5	64	-	15	20	465
GN 44-80-M20-200-D0-T	80	M 20	200	-	3	19	-	64	-	15	20	554
GN 44-80-M20-200-B0-T	80	M 20	200	8.5	3	19	-	64	-	15	20	541
GN 44-80-M20-200-D1-T	80	M 20	200	-	3	19	-	64	2	15	20	555
GN 44-80-M20-200-D3-T	80	M 20	200	-	3	19	5	64	-	15	20	574
GN 44-80-M24-100-D0-T	80	M 24	100	-	3	22	-	64	-	19	22	447
GN 44-80-M24-100-B0-T	80	M 24	100	8.5	3	22	-	64	-	19	22	448
GN 44-80-M24-100-D1-T	80	M 24	100	-	3	22	-	64	2	19	22	461
GN 44-80-M24-100-D3-T	80	M 24	100	-	3	22	5	64	-	19	22	474
GN 44-80-M24-125-D0-T	80	M 24	125	-	3	22	-	64	-	19	22	600
GN 44-80-M24-125-B0-T	80	M 24	125	8.5	3	22	-	64	-	19	22	528
GN 44-80-M24-125-D1-T	80	M 24	125	-	3	22	-	64	2	19	22	541
GN 44-80-M24-125-D3-T	80	M 24	125	-	3	22	5	64	-	19	22	554
GN 44-80-M24-150-D0-T	80	M 24	150	-	3	22	-	64	-	19	22	593
GN 44-80-M24-150-B0-T	80	M 24	150	8.5	3	22	-	64	-	19	22	594
GN 44-80-M24-150-D1-T	80	M 24	150	-	3	22	-	64	2	19	22	607
GN 44-80-M24-150-D3-T	80	M 24	150	-	3	22	5	64	-	19	22	620
GN 44-80-M24-200-D0-T	80	M 24	200	-	3	22	-	64	-	19	22	739
GN 44-80-M24-200-B0-T	80	M 24	200	8.5	3	22	-	64	-	19	22	740
GN 44-80-M24-200-D1-T	80	M 24	200	-	3	22	-	64	2	19	22	753
GN 44-80-M24-200-D3-T	80	M 24	200	-	3	22	5	64	-	19	22	766
GN 44-40-M16-75-D0-TK	40	M 16	75	-	2	17	-	30	-	12	22	163
GN 44-40-M16-75-D1-TK	40	M 16	75	-	2	17	-	30	-	12	22	166
GN 44-40-M16-75-D3-TK	40	M 16	75	-	2	17	3.5	30	-	12	22	180
GN 44-40-M16-100-D0-TK	40	M 16	100	-	2	17	-	30	-	12	22	180
GN 44-40-M16-100-D1-TK	40	M 16	100	-	2	17	-	30	1.5	12	22	200
GN 44-40-M16-100-D3-TK	40	M 16	100	-	2	17	3.5	30	-	12	22	208
GN 44-40-M16-125-D0-TK	40	M 16	125	-	2	17	-	30	-	12	22	228
GN 44-40-M16-125-D1-TK	40	M 16	125	-	2	17	-	30	1.5	12	22	231
GN 44-40-M16-125-D3-TK	40	M 16	125	-	2	17	3.5	30	-	12	22	240
GN 44-40-M16-150-D0-TK	40	M 16	150	-	2	17	-	30	-	12	22	260
GN 44-40-M16-150-D1-TK	40	M 16	150	-	2	17	-	30	1.5	12	22	263
GN 44-40-M16-150-D3-TK	40	M 16	150	-	2	17	3.5	30	-	12	22	272
GN 44-40-M16-200-D0-TK	40	M 16	200	-	2	17	-	30	-	12	22	603
GN 44-40-M16-200-D1-TK	40	M 16	200	-	2	17	-	30	1.5	12	22	606
GN 44-40-M16-200-D3-TK	40	M 16	200	-	2	17	3.5	30	-	12	22	320
GN 44-50-M16-75-D0-TK	50	M 16	75	-	2.5	17	-	38	-	12	22	180
GN 44-50-M16-75-B0-TK	50	M 16	75	6.6	2.5	17	-	38	-	12	22	183
GN 44-50-M16-75-D1-TK	50	M 16	75	-	2.5	17	-	38	2	12	22	200
GN 44-50-M16-75-D3-TK	50	M 16	75	-	2.5	17	4	38	-	12	22	210
GN 44-50-M16-100-D0-TK	50	M 16	100	-	2.5	17	-	38	-	12	22	216
GN 44-50-M16-100-B0-TK	50	M 16	100	6.6	2.5	17	-	38	-	12	22	213
GN 44-50-M16-100-D1-TK	50	M 16	100	-	2.5	17	-	38	2	12	22	222
GN 44-50-M16-100-D3-TK	50	M 16	100	-	2.5	17	4	38	-	12	22	220
GN 44-50-M16-125-D0-TK	50	M 16	125	-	2.5	17	-	38	-	12	22	248
GN 44-50-M16-125-B0-TK	50	M 16	125	6.6	2.5	17	-	38	-	12	22	245
GN 44-50-M16-125-D1-TK	50	M 16	125	-	2.5	17	-	38	2	12	22	254
GN 44-50-M16-125-D3-TK	50	M 16	125	-	2.5	17	4	38	-	12	22	249
GN 44-50-M16-150-D0-TK	50	M 16	150	-	2.5	17	-	38	-	12	22	280
GN 44-50-M16-150-B0-TK	50	M 16	150	6.6	2.5	17	-	38	-	12	22	277
GN 44-50-M16-150-D1-TK	50	M 16	150	-	2.5	17	-	38	2	12	22	250
GN 44-50-M16-150-D3-TK	50	M 16	150	-	2.5	17	4	38	-	12	22	280
GN 44-50-M16-200-D0-TK	50	M 16	200	-	2.5	17	-	38	-	12	22	623
GN 44-50-M16-200-B0-TK	50	M 16	200	6.6	2.5	17	-	38	-	12	22	620
GN 44-50-M16-200-D1-TK	50	M 16	200	-	2.5	17	-	38	2	12	22	350
GN 44-50-M16-200-D3-TK	50	M 16	200	-	2.5	17	4	38	-	12	22	350
GN 44-60-M16-75-D0-TK	60	M 16	75	-	2.5	17	-	48	-	12	22	196
GN 44-60-M16-75-B0-TK	60	M 16	75	6.6	2.5	17	-	48	-	12	22	200
GN 44-60-M16-75-D1-TK	60	M 16	75	-	2.5	17	-	48	2	12	22	208
GN 44-60-M16-75-D3-TK	60	M 16	75	-	2.5	17	4.5	48	-	12	22	211
GN 44-60-M16-100-D0-TK	60	M 16	100	-	2.5	17	-	48	-	12	22	233
GN 44-60-M16-100-B0-TK	60	M 16	100	6.6	2.5	17	-	48	-	12	22	229

GN 44-60-M16-100-D1-TK	60	M 16	100	-	2.5	17	-	48	2	12	22	200
GN 44-60-M16-100-D3-TK	60	M 16	100	-	2.5	17	4.5	48	-	12	22	240
GN 44-60-M16-125-D0-TK	60	M 16	125	-	2.5	17	-	48	-	12	22	265
GN 44-60-M16-125-B0-TK	60	M 16	125	6.6	2.5	17	-	48	-	12	22	261
GN 44-60-M16-125-D1-TK	60	M 16	125	-	2.5	17	-	48	2	12	22	273
GN 44-60-M16-125-D3-TK	60	M 16	125	-	2.5	17	4.5	48	-	12	22	271
GN 44-60-M16-150-D0-TK	60	M 16	150	-	2.5	17	-	48	-	12	22	297
GN 44-60-M16-150-B0-TK	60	M 16	150	6.6	2.5	17	-	48	-	12	22	300
GN 44-60-M16-150-D1-TK	60	M 16	150	-	2.5	17	-	48	2	12	22	305
GN 44-60-M16-150-D3-TK	60	M 16	150	-	2.5	17	4.5	48	-	12	22	320
GN 44-60-M16-200-D0-TK	60	M 16	200	-	2.5	17	-	48	-	12	22	640
GN 44-60-M16-200-B0-TK	60	M 16	200	6.6	2.5	17	-	48	-	12	22	636
GN 44-60-M16-200-D1-TK	60	M 16	200	-	2.5	17	-	48	2	12	22	648
GN 44-60-M16-200-D3-TK	60	M 16	200	-	2.5	17	4.5	48	-	12	22	344
GN 44-80-M16-75-D0-TK	80	M 16	75	-	3	18	-	64	-	12	22	261
GN 44-80-M16-75-B0-TK	80	M 16	75	8.5	3	18	-	64	-	12	22	260
GN 44-80-M16-75-D1-TK	80	M 16	75	-	3	18	-	64	2	12	22	250
GN 44-80-M16-75-D3-TK	80	M 16	75	-	3	18	5	64	-	12	22	280
GN 44-80-M16-100-D0-TK	80	M 16	100	-	3	18	-	64	-	12	22	300
GN 44-80-M16-100-B0-TK	80	M 16	100	8.5	3	18	-	64	-	12	22	294
GN 44-80-M16-100-D1-TK	80	M 16	100	-	3	18	-	64	2	12	22	300
GN 44-80-M16-100-D3-TK	80	M 16	100	-	3	18	5	64	-	12	22	300
GN 44-80-M16-125-D0-TK	80	M 16	125	-	3	18	-	64	-	12	22	325
GN 44-80-M16-125-B0-TK	80	M 16	125	8.5	3	18	-	64	-	12	22	326
GN 44-80-M16-125-D1-TK	80	M 16	125	-	3	18	-	64	2	12	22	339
GN 44-80-M16-125-D3-TK	80	M 16	125	-	3	18	5	64	-	12	22	360
GN 44-80-M16-150-D0-TK	80	M 16	150	-	3	18	-	64	-	12	22	357
GN 44-80-M16-150-B0-TK	80	M 16	150	8.5	3	18	-	64	-	12	22	358
GN 44-80-M16-150-D1-TK	80	M 16	150	-	3	18	-	64	2	12	22	380
GN 44-80-M16-150-D3-TK	80	M 16	150	-	3	18	-	64	-	12	22	370
GN 44-80-M16-200-D0-TK	80	M 16	200	-	3	18	-	64	-	12	22	600
GN 44-80-M16-200-B0-TK	80	M 16	200	8.5	3	18	-	64	-	12	22	420
GN 44-80-M16-200-D1-TK	80	M 16	200	-	3	18	-	64	2	12	22	440
GN 44-80-M16-200-D3-TK	80	M 16	200	-	3	18	-	64	-	12	22	441
GN 44-80-M20-75-D0-TK	80	M 20	75	-	3	19	-	64	-	15	22	334
GN 44-80-M20-75-B0-TK	80	M 20	75	8.5	3	19	-	64	-	15	22	334
GN 44-80-M20-75-D1-TK	80	M 20	75	-	3	19	-	64	2	15	22	300
GN 44-80-M20-75-D3-TK	80	M 20	75	-	3	19	5	64	-	15	22	300
GN 44-80-M20-100-D0-TK	80	M 20	100	-	3	19	-	64	-	15	22	393
GN 44-80-M20-100-B0-TK	80	M 20	100	8.5	3	19	-	64	-	15	22	393
GN 44-80-M20-100-D1-TK	80	M 20	100	-	3	19	-	64	2	15	22	460
GN 44-80-M20-100-D3-TK	80	M 20	100	-	3	19	5	64	-	15	22	440
GN 44-80-M20-125-D0-TK	80	M 20	125	-	3	19	-	64	-	15	22	450
GN 44-80-M20-125-B0-TK	80	M 20	125	8.5	3	19	-	64	-	15	22	443
GN 44-80-M20-125-D1-TK	80	M 20	125	-	3	19	-	64	2	15	22	457
GN 44-80-M20-125-D3-TK	80	M 20	125	-	3	19	5	64	-	15	22	467
GN 44-80-M20-150-D0-TK	80	M 20	150	-	3	19	-	64	-	15	22	500
GN 44-80-M20-150-B0-TK	80	M 20	150	8.5	3	19	-	64	-	15	22	494
GN 44-80-M20-150-D1-TK	80	M 20	150	-	3	19	-	64	2	15	22	390
GN 44-80-M20-150-D3-TK	80	M 20	150	-	3	19	5	64	-	15	22	540
GN 44-80-M20-200-D0-TK	80	M 20	200	-	3	19	-	64	-	15	22	570
GN 44-80-M20-200-B0-TK	80	M 20	200	8.5	3	19	-	64	-	15	22	594
GN 44-80-M20-200-D1-TK	80	M 20	200	-	3	19	-	64	2	15	22	500
GN 44-80-M20-200-D3-TK	80	M 20	200	-	3	19	5	64	-	15	22	500
GN 44-80-M24-100-D0-TK	80	M 24	100	-	3	22	-	64	-	19	22	400
GN 44-80-M24-100-B0-TK	80	M 24	100	8.5	3	22	-	64	-	19	22	543
GN 44-80-M24-100-D1-TK	80	M 24	100	-	3	22	-	64	2	19	22	556
GN 44-80-M24-100-D3-TK	80	M 24	100	-	3	22	5	64	-	19	22	560
GN 44-80-M24-125-D0-TK	80	M 24	125	-	3	22	-	64	-	19	22	622
GN 44-80-M24-125-B0-TK	80	M 24	125	8.5	3	22	-	64	-	19	22	623
GN 44-80-M24-125-D1-TK	80	M 24	125	-	3	22	-	64	2	19	22	636
GN 44-80-M24-125-D3-TK	80	M 24	125	-	3	22	5	64	-	19	22	649
GN 44-80-M24-150-D0-TK	80	M 24	150	-	3	22	-	64	-	19	22	700
GN 44-80-M24-150-B0-TK	80	M 24	150	8.5	3	22	-	64	-	19	22	689
GN 44-80-M24-150-D1-TK	80	M 24	150	-	3	22	-	64	2	19	22	702
GN 44-80-M24-150-D3-TK	80	M 24	150	-	3	22	5	64	-	19	22	715
GN 44-80-M24-200-D0-TK	80	M 24	200	-	3	22	-	64	-	19	22	834
GN 44-80-M24-200-B0-TK	80	M 24	200	8.5	3	22	-	64	-	19	22	600
GN 44-80-M24-200-D1-TK	80	M 24	200	-	3	22	-	64	2	19	22	848
GN 44-80-M24-200-D3-TK	80	M 24	200	-	3	22	5	64	-	19	22	800