

Hinges

Zinc die casting, with clamp

SPECIFICATION

Type

- Type **A**: 2x2 bores for countersunk screws

Zinc die casting **ZD**

plastic coated

black, RAL 9005, textured finish **SW**

silver, RAL 9006, textured finish **SR**

Guide sleeve

Plastic (Polyacetal POM)

temperature resistant up to 80 °C

Adjustable hand levers

- Zinc die casting, plastic coated, black for SW, silver for SR

- Threaded stud and retaining screw, Steel zinc plated, blue passivated

INFORMATION

With GN 437.2 Hinges, doors and covers can be secured at any desired angular position. In its rest position, the hand lever is not connected to the locking thread of the hinge axis, i.e., it can be freely rotated. The serration only engages when the handle is pressed down, allowing the hinge to be clamped. This prevents the engagement from releasing unintentionally. It additionally ensures that the hand lever does not hinder the movement of the door or cover.

To adjust to the door or cover, the clamp must be disengaged before the hinge can be swung into the new position.

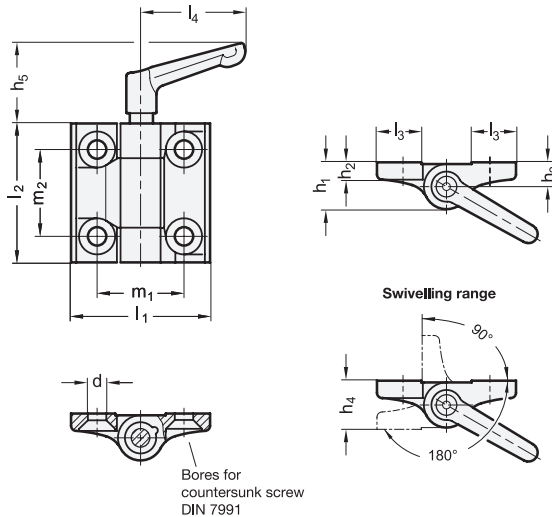
TECHNICAL INFORMATION

- Plastic characteristics (see page A2)

ACCESSORY

- Stainless Steel-Spacer plates GN 2370 (see page 1392)

- Stainless Steel-Plates with tapped holes GN 2372 (see page 1393)



GN 437.2

Description	l1	l2	d	h1	h2	h3	h4	h5≈	l3	l4	m1	m2	△
GN 437.2-ZD-60-60-A-SR	60	60	8.3	18.5	7.5	9.5	19	35	20	45	36	36	192
GN 437.2-ZD-60-60-A-SW	60	60	8.3	18.5	7.5	9.5	19	35	20	45	36	36	192