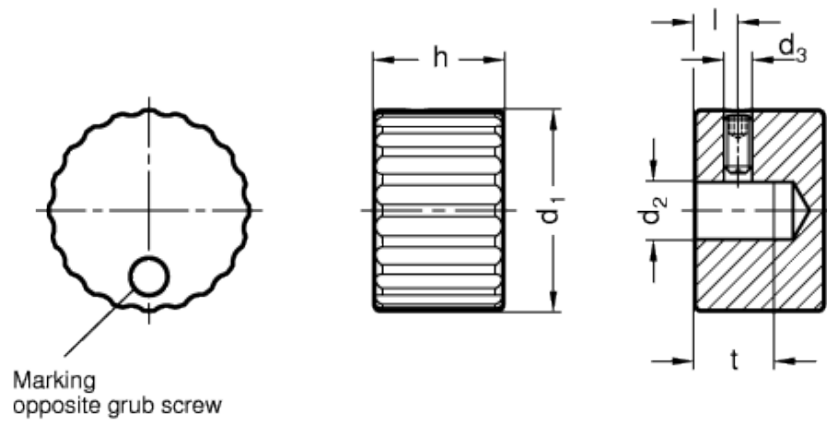


GN 436

Slotted control knobs



INOX
Stainless Steel



technical informations

Material

AISI 304 stainless steel with sandblasted matte finish.

- Version M: marking engraved with laser precision.
- Version N: plain.

Assembly

Stainless steel DIN 916 with internal hexagon and with serrated point.

Standard Elements	Main dimensions				Mounting hole		Weight
Description	d ₁	d ₃	h	l	d ₂	t	g
GN 436-24-B5-N-MT	24	M4	16	4	B5	10	75
GN 436-24-B5-M-MT	24	M4	16	4	B5	10	75
GN 436-24-B6-N-MT	24	M4	16	4	B6	10	75
GN 436-24-B6-M-MT	24	M4	16	4	B6	10	75
GN 436-28-B6-N-MT	28	M4	18	4	B6	11	111
GN 436-28-B6-M-MT	28	M4	18	4	B6	11	111
GN 436-28-B8-N-MT	28	M4	18	4	B8	11	111
GN 436-28-B8-M-MT	28	M4	18	4	B8	11	111



ELESA and GANTER models all rights reserved in accordance with the law. Always mention the source when reproducing our drawings.

STANDARD MACHINE ELEMENTS WORLDWIDE