

## Stainless Steel- Cabinet U-handles

tall design, without thread, for welding

### SPECIFICATION

- Stainless Steel **NI**
- AISI 304
  - matte shot-blasted

### INFORMATION

Stainless Steel-Cabinet U-handles GN 435.3, tall design, are made from bent round profiles and are fastened by welding. They are designed for applications requiring more height for gripping. For example, this makes it possible to grab or hold the handle while wearing safety gloves. Some dimensions also satisfy the crane access standard DIN EN 13856.

The holes  $d_2$  serve, if necessary, for inserting dowel pins or guide pins that provide a simple method for positioning and fixing the cabinet U-handle in place via the alignment holes in the opposing part for the welding process.

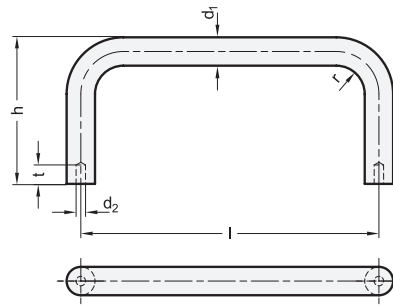
Due to the manufacturing process, **special designs** can be supplied even in relatively small quantities.

### ON REQUEST

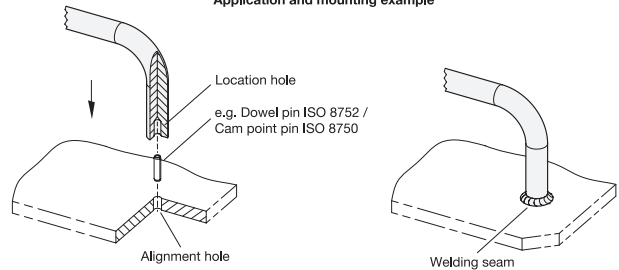
- other dimensions
- other materials

### TECHNICAL INFORMATION

- ISO-Fundamental Tolerances (see page A21)
- Load rating information of hinges (see page A40)
- Stainless Steel characteristics (see page A26)



Application and mounting example



### GN 435.3

STAINLESS STEEL

Description	$d_1$	$l \pm 0.5$	$h$	$d_2$ H12	$r$	$t$	
GN 435.3-12-125-75-NI	12	125	75	4	14	6	214
GN 435.3-12-125-110-NI	12	125	110	4	14	6	230
GN 435.3-12-160-75-NI	12	160	75	4	14	6	245
GN 435.3-12-160-110-NI	12	160	110	4	14	6	260
GN 435.3-12-200-75-NI	12	200	75	4	14	6	281
GN 435.3-12-200-110-NI	12	200	110	4	14	6	297
GN 435.3-16-160-85-NI	16	160	85	4	18	6	277
GN 435.3-16-160-125-NI	16	160	125	4	18	6	290
GN 435.3-16-200-85-NI	16	200	85	4	18	6	308
GN 435.3-16-200-125-NI	16	200	125	4	18	6	325
GN 435.3-16-300-85-NI	16	300	85	4	18	6	344
GN 435.3-16-300-125-NI	16	300	125	4	18	6	369