

GN 433



GN 434



Stainless Steel-Wing screws

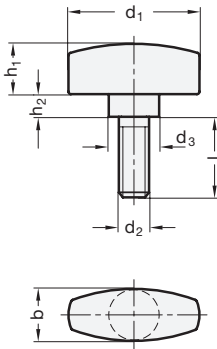
SPECIFICATION

Stainless Steel-Precision casting

- AISI CF-8 **NI**
- AISI 316 **A4**
- matte shot-blasted **MT**

TECHNICAL INFORMATION

- Stainless Steel characteristics (see page A26)



Stainless Steel-Wing nuts

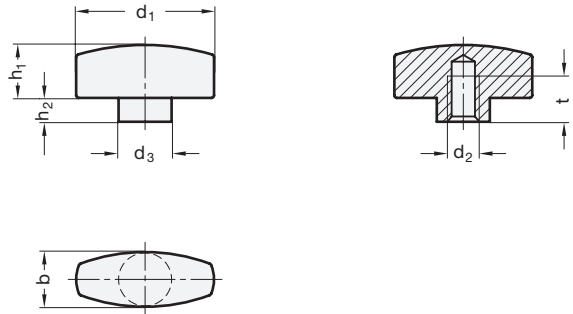
SPECIFICATION

Stainless Steel-Precision casting

- AISI CF-8 **NI**
- AISI 316 **A4**
- matte shot-blasted **MT**

TECHNICAL INFORMATION

- Stainless Steel characteristics (see page A26)



* Complete with Material of the Stainless Steel-Wing screws

| | |
|-----------|-----------|
| NI | A4 |
| AISI CF-8 | AISI 316 |

GN 433

STAINLESS STEEL

| Description | d1 | d2 | l | d3 | b | h1 | h2 | △ |
|----------------------|----|-----|----|----|----|----|-----|----|
| GN 433-*-20-M4-6-MT | 20 | M 4 | 6 | 8 | 9 | 8 | 3.5 | 18 |
| GN 433-*-20-M4-10-MT | 20 | M 4 | 10 | 8 | 9 | 8 | 3.5 | 19 |
| GN 433-*-26-M5-10-MT | 26 | M 5 | 10 | 10 | 11 | 10 | 4.5 | 20 |
| GN 433-*-26-M5-16-MT | 26 | M 5 | 16 | 10 | 11 | 10 | 4.5 | 22 |
| GN 433-*-26-M6-16-MT | 26 | M 6 | 16 | 10 | 11 | 10 | 4.5 | 23 |
| GN 433-*-26-M6-20-MT | 26 | M 6 | 20 | 10 | 11 | 10 | 4.5 | 24 |
| GN 433-*-26-M6-25-MT | 26 | M 6 | 25 | 10 | 11 | 10 | 4.5 | 25 |
| GN 433-*-34-M6-16-MT | 34 | M 6 | 16 | 12 | 13 | 12 | 5 | 39 |
| GN 433-*-34-M6-20-MT | 34 | M 6 | 20 | 12 | 13 | 12 | 5 | 41 |
| GN 433-*-34-M6-25-MT | 34 | M 6 | 25 | 12 | 13 | 12 | 5 | 42 |
| GN 433-*-34-M6-30-MT | 34 | M 6 | 30 | 12 | 13 | 12 | 5 | 44 |
| GN 433-*-34-M8-16-MT | 34 | M 8 | 16 | 12 | 13 | 12 | 5 | 42 |
| GN 433-*-34-M8-20-MT | 34 | M 8 | 20 | 12 | 13 | 12 | 5 | 43 |
| GN 433-*-34-M8-25-MT | 34 | M 8 | 25 | 12 | 13 | 12 | 5 | 45 |
| GN 433-*-34-M8-30-MT | 34 | M 8 | 30 | 12 | 13 | 12 | 5 | 48 |

* Complete with Material of the Stainless Steel-Wing nuts

| | |
|-----------|-----------|
| NI | A4 |
| AISI CF-8 | AISI 316 |

GN 434

STAINLESS STEEL

| Description | d1 | d2 | d3 | b | h1 | h2 | t min. | △ |
|-------------------|----|-----|----|----|----|-----|--------|----|
| GN 434-*-20-M4-MT | 20 | M 4 | 8 | 9 | 8 | 3.5 | 7 | 18 |
| GN 434-*-26-M4-MT | 26 | M 4 | 10 | 11 | 10 | 4.5 | 7 | 19 |
| GN 434-*-26-M5-MT | 26 | M 5 | 10 | 11 | 10 | 4.5 | 8 | 20 |
| GN 434-*-26-M6-MT | 26 | M 6 | 10 | 11 | 10 | 4.5 | 8 | 18 |
| GN 434-*-34-M6-MT | 34 | M 6 | 12 | 13 | 12 | 5 | 10 | 34 |
| GN 434-*-34-M8-MT | 34 | M 8 | 12 | 13 | 12 | 5 | 9 | 32 |