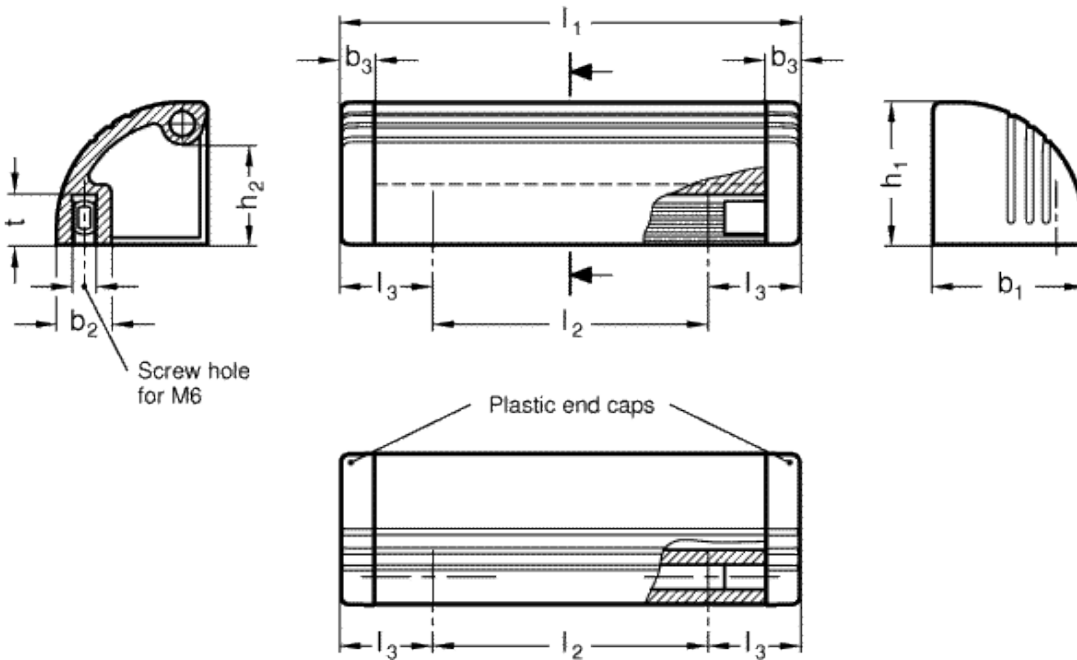


GN 430

Guard safety handles



technical informations

Aluminium tube

- Version SW: RAL 9005 black, matte finish, epoxy resin coating.
- Version EL: anodised, natural colour, matte finish.

Side end caps

Polyamide based (PA) technopolymer, black grey colour.

Special executions on request (For sufficient quantities)

Different lengths.

Features and applications

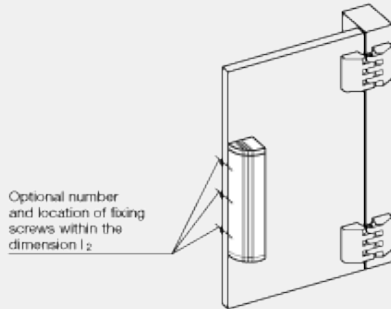
Typical applications for guard safety handles GN 430 include swivel or sliding doors on protective doors and equipment. They are also suitable for use as drawer handles.

The screw channel for screw size M6 (extruded aluminium) allows an optional number of fixing screws in any position within the dimension 12. The minimum screw-in depth of 10 mm in the guard safety handle GN 430 must be maintained.

The aluminium profile section is available in any length; the end caps are also available individually.

Assembly instructions (for every screw coupling)

- Maximum load: 400 N.
- Maximum tightening torque: 4 Nm.
- Minimum screw-in depth: 10 mm.



Standard Elements	Main dimensions									Weight
	Description	l_1	b_1	b_2	b_3	h_1	h_2	l_2 Screw range	l_3	
GN 430-110-SW	110	36	13	8	34	24	66	22	12	86
GN 430-130-SW	130	36	13	8	34	24	86	22	12	101
GN 430-150-SW	150	36	13	8	34	24	106	22	12	117
GN 430-200-SW	200	36	13	8	34	24	156	22	12	157
GN 430-250-SW	250	36	13	8	34	24	206	22	12	196
GN 430-300-SW	300	36	13	8	34	24	256	22	12	233
GN 430-400-SW	400	36	13	8	34	24	356	22	12	314
GN 430-500-SW	500	36	13	8	34	24	456	22	12	388
GN 430-110-EL	110	36	13	8	34	24	66	22	12	86
GN 431-130-EL	130	36	13	8	34	24	86	22	12	101
GN 430-150-EL	150	36	13	8	34	24	106	22	12	117
GN 430-200-EL	200	36	13	8	34	24	156	22	12	157
GN 430-250-EL	250	36	13	8	34	24	206	22	12	196
GN 430-300-EL	300	36	13	8	34	24	256	22	12	233
GN 430-400-EL	400	36	13	8	34	24	356	22	12	314
GN 430-500-EL	500	36	13	8	34	24	456	22	12	388



STANDARD MACHINE ELEMENTS WORLDWIDE