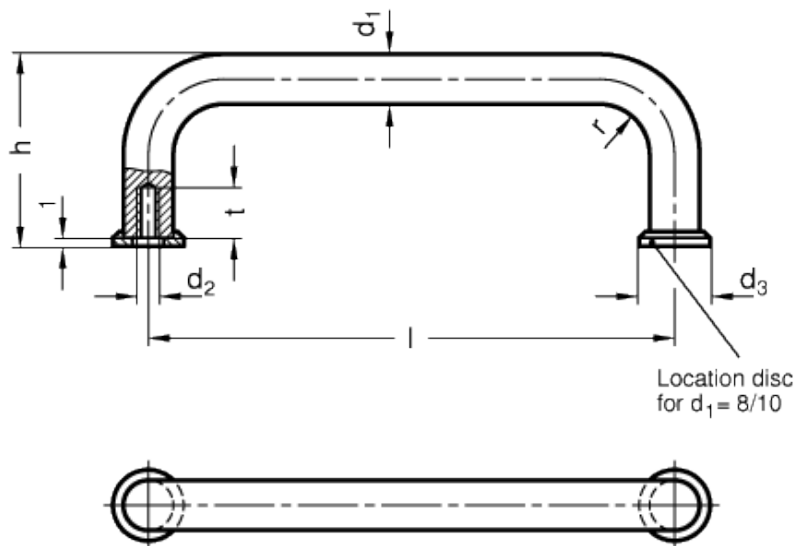


GN 425-NI

Handles



INOX
Stainless Steel



technical informations

Material

AISI 303 stainless steel ($\varnothing 8/10$) and AISI 304 stainless steel ($\varnothing 12/16$). Round cross section bar.

Finish

- Version NI: sandblasted matte finish.
- Version NEP: electropolished.

Assembly

Tapped blind holes.

Washers

AISI 303 stainless steel, supplied not assembled.

Features and applications

Stainless steel, thanks to its high resistance to corrosion, allows the application of these handles on machines and equipment in those sectors where laws or particular hygienic, climatic and environmental factors make it mandatory to use corrosion resistant materials.

Standard Elements	Main dimensions					Mounting holes		Weight
Description	d ₁	l _{±0.25}	d ₃	h	r	d ₂	t _{min.}	g
GN 425-NI-8-55*-GS	8	55*	12	35	10	M 4	8	30
GN 425-NI-8-55*-EP	8	55*	12	35	10	M4	8	30
GN 425-NI-8-64-GS	8	64	12	35	10	M4	8	40
GN 425-NI-8-64-EP	8	64	12	35	10	M4	8	40
GN 425-NI-8-88*-GS	8	88*	12	35	10	M4	8	53
GN 425-NI-8-88*-EP	8	88*	12	35	10	M4	8	53
GN 425-NI-8-96-GS	8	96	12	35	10	M4	8	57
GN 425-NI-8-96-EP	8	96	12	35	10	M4	8	57
GN 425-NI-8-100-GS	8	100	12	35	10	M4	8	58
GN 425-NI-8-100-EP	8	100	12	35	10	M4	8	58
GN 425-NI-8-120*-GS	8	120*	12	35	10	M4	8	66
GN 425-NI-8-120*-EP	8	120*	12	35	10	M4	8	66
GN 425-NI-8-128-GS	8	128	12	35	10	M4	8	70
GN 425-NI-8-128-EP	8	128	12	35	10	M4	8	70
GN 425-NI-10-88*-GS	10	88*	15	43	312	M5	12	91
GN 425-NI-10-88*-EP	10	88*	15	43	12	M5	12	91
GN 425-NI-10-100-GS	10	100	15	43	12	M5	12	98
GN 425-NI-10-100-EP	10	100	15	43	12	M5	12	98
GN 425-NI-10-120*-GS	10	120*	15	43	12	M5	12	109
GN 425-NI-10-120*-EP	10	120*	15	43	12	M5	12	109
GN 425-NI-10-180-GS	10	180	15	43	12	M5	12	146
GN 425-NI-10-180-EP	10	180	15	43	12	M5	12	146
GN 425-NI-10-200-GS	10	200	15	43	12	M5	12	161
GN 425-NI-10-200-EP	10	200	15	43	12	M5	12	161
GN 425-NI-10-235*-GS	10	235*	15	43	12	M5	12	183
GN 425-NI-10-235*-EP	10	235*	15	43	12	M5	12	183
GN 425-NI-12-125-EP	12	125	-	51	14	M6	12	205
GN 425-NI-12-125-EP	12	125	-	51	14	M6	12	205
GN 425-NI-12-160-GS	12	160	-	51	14	M6	12	242
GN 425-NI-12-160-EP	12	160	-	51	14	M6	12	242
GN 425-NI-12-200-GS	12	200	-	51	14	M6	12	296
GN 425-NI-12-200-EP	12	200	-	51	14	M6	12	296
GN 425-NI-12-250-GS	12	250	-	51	14	M6	12	333
GN 425-NI-12-250-EP	12	250	-	51	14	M6	12	333
GN 425-NI-16-160-GS	16	160	-	59	18	M6	12	431
GN 425-NI-16-160-EP	16	160	-	59	18	M6	12	431

GN 425-NI-16-200-GS	16	200	-	59	18	M6	12	526
GN 425-NI-16-200-EP	16	200	-	59	18	M6	12	526
GN 425-NI-16-250-GS	16	250	-	59	18	M6	12	532
GN 425-NI-16-250-EP	16	250	-	59	18	M6	12	532
GN 425-NI-16-300-GS	16	300	-	59	18	M6	12	603
GN 425-NI-16-300-EP	16	300	-	59	18	M6	12	603

* suitable for 19" rack and enclosure layout



ELESA and GANTER models all rights reserved in accordance with the law. Always mention the source when reproducing our drawings.

STANDARD MACHINE ELEMENTS WORLDWIDE