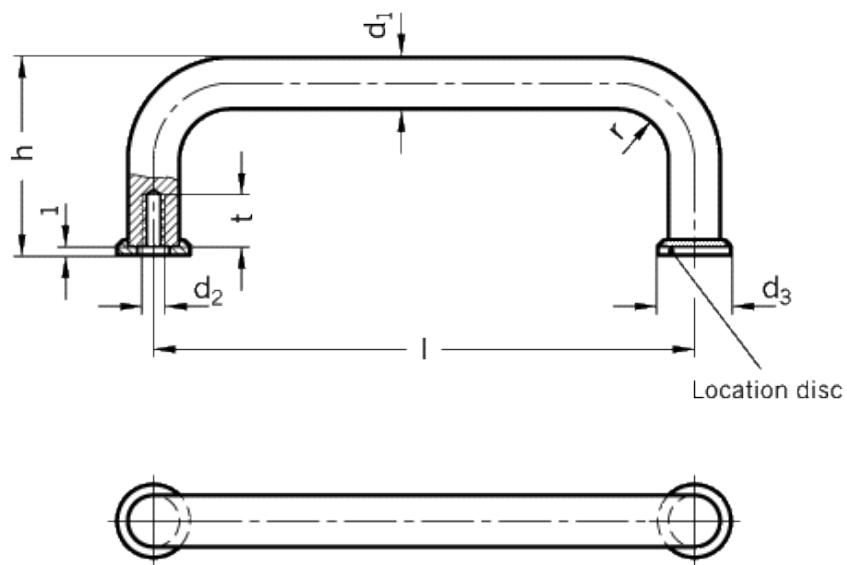


GN 425-AL

Handles



technical informations

Specification

Aluminium AL

- plastic coated

black, RAL 9005 textured finish SW

silver, RAL 9006, textured finish SR

red, RAL 9003, textured finish RS

- anodized, natural colour EL

Location discs

- Stainless Steel AISI 303

Features and applications

Aluminium-Cabinet "U" handles GN 425 Ø 8 and Ø10 are supplied with two stainless steel location discs. They guarantee a perfect location even with large holes in the cabinet. The discs are loosely enclosed.

The manufacturing process (bending) allows the production of special lengths in relatively small quantities.

Standard Elements	Main dimensions					Mounting holes		Weight
	Description	d ₁	l _{±0.25}	d ₃	h	r	d ₂	
GN 425-AL-8-55*-SW	8	55*	12	35	10	M4	8	15
GN 425-AL-8-55*-SR	8	55*	12	35	10	M4	8	15
GN 425-AL-8-55*-RS	8	55*	12	35	10	M4	8	15
GN 425-AL-8-55*-EL	8	55*	12	35	10	M4	8	15
GN 425-AL-8-64-SW	8	64	12	35	10	M4	8	19
GN 425-AL-8-64-SR	8	64	12	35	10	M4	8	19
GN 425-AL-8-64-RS	8	64	12	35	10	M4	8	19
GN 425-AL-8-64-EL	8	64	12	35	10	M4	8	19
GN 425-AL-8-88*-SW	8	88*	12	35	10	M4	8	50
GN 425-AL-8-88*-SR	8	88*	12	35	10	M4	8	50
GN 425-AL-8-88*-RS	8	88*	12	35	10	M4	8	50
GN 425-AL-8-88*-EL	8	88*	12	35	10	M4	8	50
GN 425-AL-8-96-SW	8	96	12	35	10	M4	8	22
GN 425-AL-8-96-SR	8	96	12	35	10	M4	8	22
GN 425-AL-8-96-RS	8	96	12	35	10	M4	8	22
GN 425-AL-8-96-EL	8	96	12	35	10	M4	8	22
GN 425-AL-8-100-SW	8	100	12	35	10	M4	8	24
GN 425-AL-8-100-SR	8	100	12	35	10	M4	8	24
GN 425-AL-8-100-RS	8	100	12	35	10	M4	8	24
GN 425-AL-8-100-EL	8	100	12	35	10	M4	8	24
GN 425-AL-8-120*-SW	8	120*	12	35	10	M4	8	20
GN 425-AL-8-120*-SR	8	120*	12	35	10	M4	8	20
GN 425-AL-8-120*-RS	8	120*	12	35	10	M4	8	20
GN 425-AL-8-120*-EL	8	120*	12	35	10	M4	8	20
GN 425-AL-8-128-SW	8	128	12	35	10	M4	8	29
GN 425-AL-8-128-SR	8	128	12	35	10	M4	8	29
GN 425-AL-8-128-RS	8	128	12	35	10	M4	8	29
GN 425-AL-8-128-EL	8	128	12	35	10	M4	8	29
GN 425-AL-10-88*-SW	10	88*	15	43	12	M5	12	40
GN 425-AL-10-88*-SR	10	88*	15	43	12	M5	12	40
GN 425-AL-10-88*-RS	10	88*	15	43	12	M5	12	40
GN 425-AL-10-88*-EL	10	88*	15	43	12	M5	12	40
GN 425-AL-10-100-SW	10	100	15	43	12	M5	12	38
GN 425-AL-10-100-SR	10	100	15	43	12	M5	12	38
GN 425-AL-10-100-RS	10	100	15	43	12	M5	12	38
GN 425-AL-10-100-EL	10	100	15	43	12	M5	12	38
GN 425-AL-10-120*-SW	10	120*	15	43	12	M5	12	42
GN 425-AL-10-120*-SR	10	120*	15	43	12	M5	12	42
GN 425-AL-10-120*-RS	10	120*	15	43	12	M5	12	42
GN 425-AL-10-120*-EL	10	120*	15	43	12	M5	12	42
GN 425-AL-10-180*-SW	10	180*	15	43	12	M5	12	60

GN 425-AL-10-180*-SR	10	180*	15	43	12	M5	12	60
GN 425-AL-10-180*-RS	10	180*	15	43	12	M5	12	60
GN 425-AL-10-180*-EL	10	180*	15	43	12	M5	12	60
GN 425-AL-10-200-SW	10	200	15	43	12	M5	12	60
GN 425-AL-10-200-SR	10	200	15	43	12	M5	12	60
GN 425-AL-10-200-RS	10	200	15	43	12	M5	12	60
GN 425-AL-10-200-EL	10	200	15	43	12	M5	12	60
GN 425-AL-10-235*-SW	10	235*	15	43	12	M5	12	60
GN 425-AL-10-235*-SR	10	235	15	43	12	M5	12	60
GN 425-AL-10-235*-RS	10	235*	15	43	12	M5	12	60
GN 425-AL-10-235*-EL	10	235*	15	43	12	M5	12	60
GN 425-AL-12-125-SW	12	125	-	51	14	M6	12	60
GN 425-AL-12-125-SR	12	125	-	51	14	M6	12	60
GN 425-AL-12-125-RS	12	125	-	51	14	M6	12	60
GN 425-AL-12-125-EL	12	125	-	51	14	M6	12	60
GN 425-AL-12-160-SW	12	160	-	51	14	M6	12	71
GN 425-AL-12-160-SR	12	160	-	51	14	M6	12	71
GN 425-AL-12-160-RS	12	160	-	51	14	M6	12	71
GN 425-AL-12-160-EL	12	160	-	51	14	M6	12	71
GN 425-AL-12-200-SW	12	200	-	51	14	M6	12	85
GN 425-AL-12-200-SR	12	200	-	51	14	M6	12	85
GN 425-AL-12-200-RS	12	200	-	51	14	M6	12	85
GN 425-AL-12-200-EL	12	200	-	51	14	M6	12	85
GN 425-AL-12-250-SW	12	250	-	51	14	M6	12	110
GN 425-AL-12-250-SR	12	250	-	51	14	M6	12	110
GN 425-AL-12-250-RS	12	250	-	51	14	M6	12	110
GN 425-AL-12-250-EL	12	250	-	51	14	M6	12	110
GN 425-AL-16-160-SW	16	160	-	59	18	M6	12	129
GN 425-AL-16-160-SR	16	160	-	59	18	M6	12	129
GN 425-AL-16-160-RS	12	160	-	59	18	M6	12	129
GN 425-AL-16-160-EL	16	160	-	59	18	M6	12	129
GN 425-AL-16-200-SW	16	200	-	59	18	M6	12	150
GN 425-AL-16-200-SR	16	200	-	59	18	M6	12	150
GN 425-AL-16-200-RS	16	200	-	59	18	M6	12	150
GN 425-AL-16-200-EL	16	200	-	59	18	M6	12	150
GN 425-AL-16-250-SW	16	250	-	59	18	M6	12	177
GN 425-AL-16-250-SR	16	250	-	59	18	M6	12	177
GN 425-AL-16-250-RS	16	250	-	59	18	M6	12	177
GN 425-AL-16-250-EL	16	250	-	59	18	M6	12	177
GN 425-AL-16-300-SW	16	300	-	59	18	M6	12	207
GN 425-AL-16-300-SR	16	300	-	59	18	M6	12	207
GN 425-AL-16-300-RS	16	300	-	59	18	M6	12	207
GN 425-AL-16-300-EL	16	300	-	59	18	M6	12	207

*suitable for 19" rack and enclosure layout



STANDARD MACHINE ELEMENTS WORLDWIDE