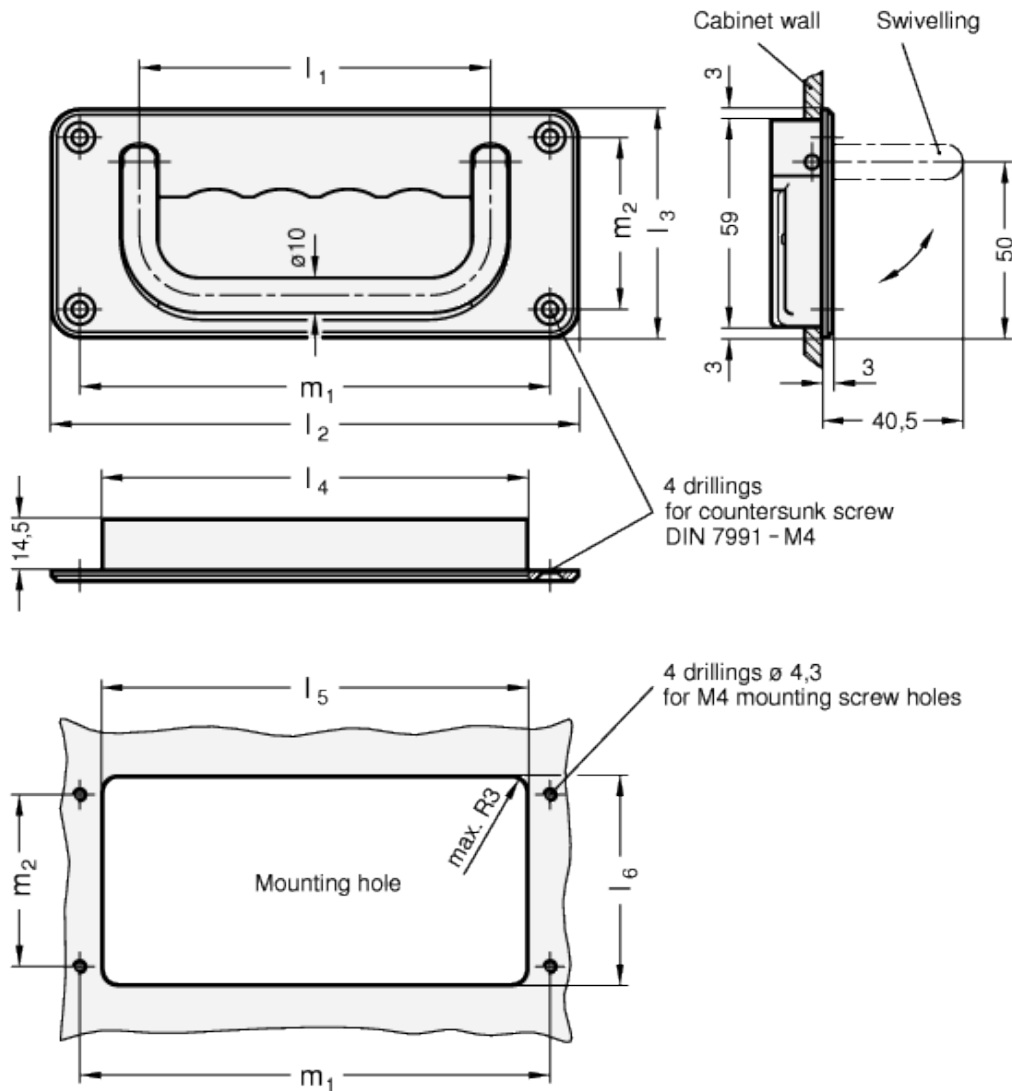


# GN 425.8

Folding handle with recessed tray





#### technical informations

##### Folding handle

- Chrome-plated steel CR.
- AISI 303 stainless steel NI, matte shot-blasted.

##### Tray

Die-cast zinc alloy.

- Version SW: RAL 9005 black colour, matte finish, epoxy resin coating.
- Version SR: RAL 9006 silver colour, matte finish, epoxy resin coating.

##### Standard versions available

- Type A: with handle locking in the folded up or folded down position.
- Type B: with spring return of the handle in the folded down position.

##### Assembly

Through holes for countersunk head screws. The handle is supplied assembled to the tray.

##### Features and applications

The folding handles with recessed tray GN 425.8 are used if the handle is to protrude by a maximum of 3 mm when folded down.

In type A, the folding handle is held in the end positions by spring-loaded thrust pieces and, when folded out, remains easily accessible.

In Type B, the folding handle always spring-returns to the starting position after being released, preventing it from staying folded out and protruding with potentially interfering effect.

Standard Elements	Main dimensions								Weight
Description	l <sub>1</sub>	l <sub>2</sub>	l <sub>3</sub>	l <sub>4</sub>	l <sub>5</sub>	l <sub>6</sub>	m <sub>1</sub>	m <sub>2</sub>	g
GN 425.8-100-CR-SW-A	100	150	65	121	122	60	134	49	339
GN 425.8-100-CR-SR-A	100	150	65	121	122	60	134	49	339
GN 425.8-100-CR-SW-B	100	150	65	121	122	60	134	49	341
GN 425.8-100-CR-SR-B	100	150	65	121	122	60	134	49	341
GN 425.8-120-CR-SW-A	120	170	65	141	142	60	154	49	376
GN 425.8-120-CR-SR-A	120	170	65	141	142	60	154	49	376
GN 425.8-120-CR-SW-B	120	170	65	141	142	60	154	49	380
GN 425.8-120-CR-SR-B	120	170	65	141	142	60	154	49	380
GN 425.8-100-NI-SW-A	100	150	65	121	122	60	134	49	339
GN 425.8-100-NI-SR-A	100	150	65	121	122	60	134	49	339
GN 425.8-100-NI-SW-B	100	150	65	121	122	60	134	49	341
GN 425.8-100-NI-SR-B	100	150	65	121	122	60	134	49	341
GN 425.8-120-NI-SW-A	120	170	65	141	142	60	154	49	376
GN 425.8-120-NI-SR-A	120	170	65	141	142	60	154	49	376
GN 425.8-120-NI-SW-B	120	170	65	141	142	60	154	49	380
GN 425.8-120-NI-SR-B	120	170	65	141	142	60	154	49	380

ELESA and GANTER models all rights reserved in accordance with the law. Always mention the source when reproducing our drawings.

**STANDARD MACHINE ELEMENTS WORLDWIDE**