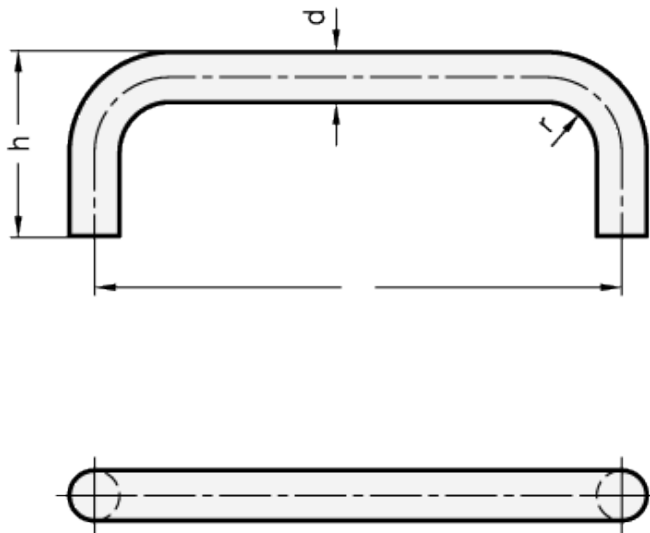


GN 425.3

Handles



technical informations

Material

Steel ST, sandblasted matte finish.

Assembly

Welding.

Special executions on request (For sufficient quantities)

Different lengths.

Features and applications

The manufacturing process (bending) of the cabinet "U" handles GN 425.3 allows the production of special lengths in relatively small quantities.

Standard Elements	Main dimensions				Weight
Description	d	l _{±0.5}	h	r	g
GN 425.3-8-64-ST	8	64	35	10	-
GN 425.3-8-88-ST	8	88	35	10	-
GN 425.3-8-100-ST	8	100	35	10	-
GN 425.3-10-100-ST	10	100	43	12	-
GN 425.3-10-125-ST	10	125	43	12	110
GN 425.3-10-160-ST	10	160	43	12	130
GN 425.3-12-125-ST	12	125	51	14	170
GN 425.3-12-160-ST	12	160	51	14	210
GN 425.3-12-200-ST	12	200	51	14	245
GN 425.3-16-125-ST	16	125	59	18	320
GN 425.3-16-160-ST	16	160	59	18	370
GN 425.3-16-200-ST	16	200	59	18	440
GN 425.3-20-200-ST	20	200	68	22	700
GN 425.3-20-250-ST	20	250	68	22	830



ELESA and GANTER models all rights reserved in accordance with the law. Always mention the source when reproducing our drawings.

STANDARD MACHINE ELEMENTS WORLDWIDE