

Cabinet "U" handles

Steel / Aluminium / Stainless Steel

SPECIFICATION

Version in Steel

Steel

plastic coated
black, RAL 9005, textured finish **SW**

chrome-plated **CR**
blackened **BT**

Location discs
Zinc die casting, nickel plated

Version in Aluminium

Aluminium **AL**

plastic coated
black, RAL 9005, textured finish **SW**
silver, RAL 9006, textured finish **SR**
red, RAL 3000, textured finish **RS**

anodized, natural colour **EL**

Version in Stainless Steel

Stainless Steel **NI**

- AISI 303 (A1) for $d_1 = 8, 10$
- AISI 304 (A2) for $d_1 = 12, 16$
- matt shot-blasted **GS**
- electropolished **EP**

Stainless Steel AISI 316L **A4**

matte shot-blasted **GS**

Location discs

Stainless Steel AISI 303 / AISI 316L



INFORMATION

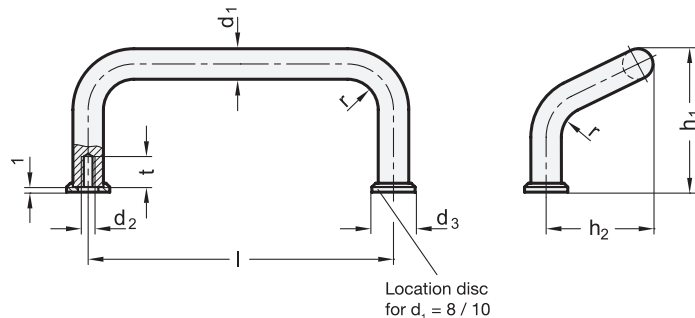
Cabinet "U" handles GN 425.1 $\varnothing 8$ and $\varnothing 10$ are supplied with two location discs. They guarantee a perfect location even with large holes in the cabinet. The discs are loosely enclosed.

The chrome-plated design is only conditionally suitable for outdoor use. The stainless steel design version should be given preference.

The manufacturing process (bending) allows the production of **special lengths** in relatively small quantities.

TECHNICAL INFORMATION

- Stainless Steel characteristics (see page A26)
- Load rating information (see page A35)



GN 425.1-A4

STAINLESS STEEL

Description	d_1	$l \pm 0.25$	d_2	d_3	h_1	h_2	r	$t \text{ min.}$	Δ
GN 425.1-A4-10-88-GS	10	88	M 5	15	47	35	11	12	92
GN 425.1-A4-10-100-GS	10	100	M 5	15	47	35	11	12	99
GN 425.1-A4-10-120-GS	10	120	M 5	15	47	35	11	12	111
GN 425.1-A4-10-180-GS	10	180**	M 5	15	47	35	11	12	159
GN 425.1-A4-10-200-GS	10	200	M 5	15	47	35	11	12	163

* Complete with colour index of the Cabinet "U" handles (SW, CR or BT)

SW RAL9005
 CR chrome-plated
 BT blackened

GN 425.1

Description	d1	l ±0.25	d2	d3	h1	h2	r	t min.	⚖
GN 425.1-8-55-*	8	55**	M 4	12	40	30	9	8	40
GN 425.1-8-64-*	8	64	M 4	12	40	30	9	8	43
GN 425.1-8-96-*	8	96	M 4	12	40	30	9	8	56
GN 425.1-8-100-*	8	100	M 4	12	40	30	9	8	58
GN 425.1-10-88-*	10	88**	M 5	15	47	35	11	12	88
GN 425.1-10-100-*	10	100	M 5	15	47	35	11	12	98
GN 425.1-10-120-*	10	120**	M 5	15	47	35	11	12	108
GN 425.1-10-180-*	10	180**	M 5	15	47	35	11	12	147
GN 425.1-10-200-*	10	200	M 5	15	47	35	11	12	160
GN 425.1-12-125-*	12	125	M 6	-	60	44	12	12	165
GN 425.1-12-160-*	12	160	M 6	-	60	44	12	12	196
GN 425.1-12-200-*	12	200	M 6	-	60	44	12	12	230
GN 425.1-12-250-*	12	250	M 6	-	60	44	12	12	274

* Complete with colour index of the Cabinet "U" handles (SW, SR, RS or EL)

SW RAL 9005
 SR RAL 9006
 RS RAL 3000
 EL anodized

GN 425.1-AL

Description	d1	l ±0.25	d2	d3	h1	h2	r	t min.	⚖
GN 425.1-AL-8-55-*	8	55**	M 4	12	40	30	9	8	15
GN 425.1-AL-8-64-*	8	64	M 4	12	40	30	9	8	18
GN 425.1-AL-8-88-*	8	88**	M 4	12	40	30	9	8	20
GN 425.1-AL-8-96-*	8	96	M 4	12	40	30	9	8	22
GN 425.1-AL-8-100-*	8	100	M 4	12	40	30	9	8	23
GN 425.1-AL-10-88-*	10	88**	M 5	15	47	35	11	12	34
GN 425.1-AL-10-100-*	10	100	M 5	15	47	35	11	12	40
GN 425.1-AL-10-120-*	10	120**	M 5	15	47	35	11	12	50
GN 425.1-AL-10-180-*	10	180**	M 5	15	47	35	11	12	60
GN 425.1-AL-10-200-*	10	200	M 5	15	47	35	11	12	68
GN 425.1-AL-12-125-*	12	125	M 6	-	60	44	12	12	59
GN 425.1-AL-12-160-*	12	160	M 6	-	60	44	12	12	71
GN 425.1-AL-12-200-*	12	200	M 6	-	60	44	12	12	83
GN 425.1-AL-12-250-*	12	250	M 6	-	60	44	12	12	114

* Complete with material of the Cabinet "U" handles (GS or EP)

GS matt shot-blasted
EP electropolished

GN 425.1-NI

STAINLESS STEEL

Description	d1	l ±0.25	d2	d3	h1	h2	r	t min.	⚖
GN 425.1-NI-8-55-*	8	55**	M 4	12	40	30	9	8	37
GN 425.1-NI-8-64-*	8	64	M 4	12	40	30	9	8	40
GN 425.1-NI-8-88-*	8	88	M 4	12	40	30	9	8	53
GN 425.1-NI-8-96-*	8	96	M 4	12	40	30	9	8	57
GN 425.1-NI-8-100-*	8	100	M 4	12	40	30	9	8	58
GN 425.1-NI-10-88-*	10	88	M 5	15	47	35	11	12	91
GN 425.1-NI-10-100-*	10	100	M 5	15	47	35	11	12	95
GN 425.1-NI-10-120-*	10	120	M 5	15	47	35	11	12	105
GN 425.1-NI-10-180-*	10	180**	M 5	15	47	35	11	12	146
GN 425.1-NI-10-200-*	10	200	M 5	15	47	35	11	12	161
GN 425.1-NI-12-125-*	12	125	M 6	-	60	44	12	12	169
GN 425.1-NI-12-160-*	12	160	M 6	-	60	44	12	12	200
GN 425.1-NI-12-200-*	12	200	M 6	-	60	44	12	12	236
GN 425.1-NI-12-250-*	12	250	M 6	-	60	44	12	12	283

** suitable for 19" rack and enclosure layout

