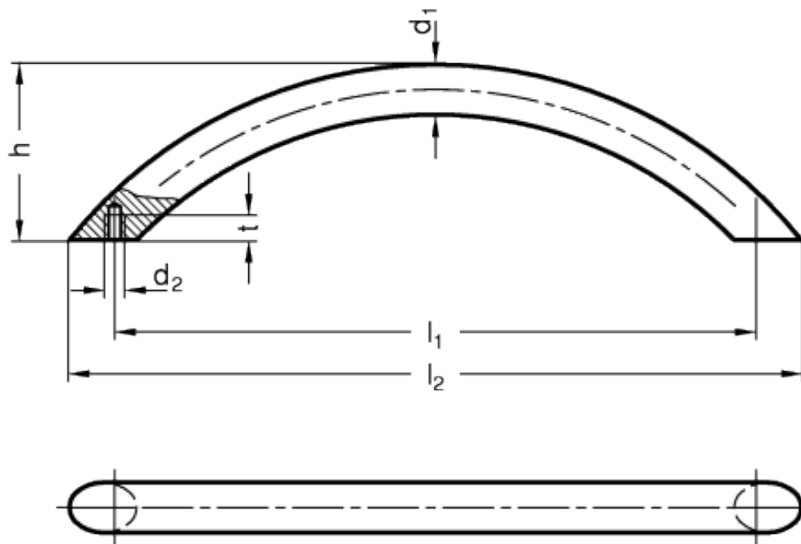


GN 424.5

Arch-shaped handles



INOX
Stainless Steel



technical informations

Material

AISI 303 stainless steel. Round cross section bar, brushed matte finish.

Assembly

Tapped blind holes.

Features and applications

AISI 303 stainless steel, thanks to its high resistance to corrosion, allows the application of these handles on machines and equipment in those sectors where laws or particular hygienic, climatic and environmental factors make it mandatory to use corrosion resistant materials.

Standard Elements	Main dimensions				Mounting holes		Weight
Description	d_1	l_1	$l_2 \approx$	$h \approx$	d_2	$t_{\min.}$	g
GN 424.5-10-64	10	64 ± 0.25	75	35	M4	5	55
GN 424.5-10-96	10	96 ± 0.25	111	35	M4	5	70
GN 424.5-10-128	10	128 ± 0.25	146	35	M4	5	90
GN 424.5-10-160	10	160 ± 0.25	181	35	M4	5	106
GN 424.5-10-192	10	192 ± 0.35	219	35	M4	5	130



ELESA and GANTER models all rights reserved in accordance with the law. Always mention the source when reproducing our drawings.

STANDARD MACHINE ELEMENTS WORLDWIDE