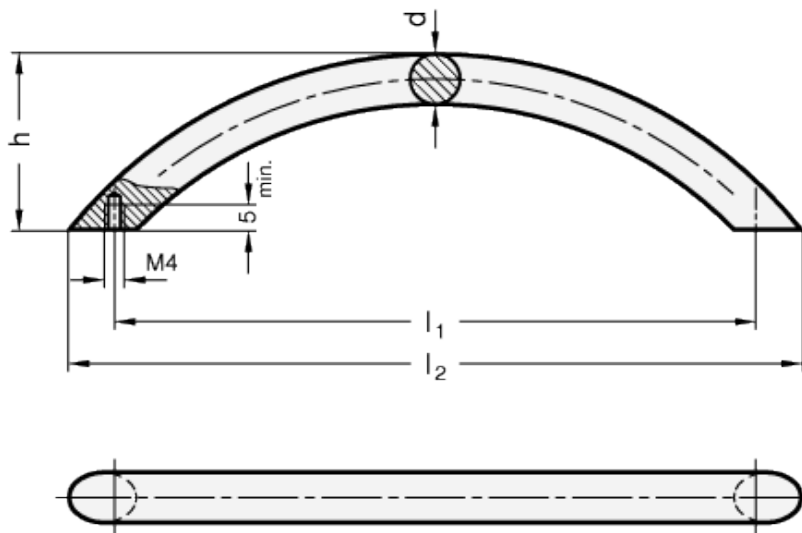


GN 424.1

Arch-shaped handles



technical informations

Material

Steel. Round cross section bar.

- Version SW: RAL 9005 black, matte finish, epoxy resin coating.
- Version SR: RAL 9006 silver, matte finish, epoxy resin coating.
- Version CR: chrome-plated surface.

Assembly

Tapped blind holes.

Standard Elements	Main dimensions				Mounting holes		Weight
Description	d_1	l_1	$l_2 \approx$	$h \approx$	d_2	$t_{\min.}$	g
GN 424.1-10-64-SW	10	64 ± 0.25	75	35	M4	5	55

GN 424.1-10-64-SR	10	64 ±0.25	75	35	M4	5	55
GN 424.1-10-64-CR	10	64 ±0.25	75	35	M4	5	55
GN 424.1-10-96-SW	10	96 ±0.25	111	35	M4	5	70
GN 424.1-10-96-SR	10	96 ±0.25	111	35	M4	5	70
GN 424.1-10-96-CR	10	96 ±0.25	111	35	M4	5	70
GN 424.1-10-128-SW	10	128 ±0.25	146	35	M4	5	90
GN 424.1-10-128-SR	10	128 ±0.25	146	35	M4	5	90
GN 424.1-10-128-CR	10	128 ±0.25	146	35	M4	5	90
GN 424.1-10-160-SW	10	160 ±0.35	181	35	M4	5	106
GN 424.1-10-160-SR	10	160 ±0.25	181	35	M4	5	106
GN 424.1-10-160-CR	10	160 ±0.25	181	35	M4	5	106
GN 424.1-10-192-SW	10	192 ±0.25	219	35	M4	5	130
GN 424.1-10-192-SR	10	192 ±0.35	219	35	M4	5	130
GN 424.1-10-192-CR	10	192 ±0.35	219	35	M4	5	130

* Complete the description of the standard item needed by adding the index of the finish: SW (black), SB (silver) or CR (chrome-plated).



ELESA and GANTER models all rights reserved in accordance with the law. Always mention the source when reproducing our drawings.

STANDARD MACHINE ELEMENTS WORLDWIDE