

Cabinet U-Handles

Zinc Die Casting, with Electrical Switching Function / with Indicator Light

SPECIFICATION

Function element 1 /

Function element 2

- Type **LK**: Indicator light red / green (bi-color) (no switching function)
- Type **RK**: Button, latching with LED, red / green (bi-color)
- Type **RO**: Button, latching without LED
- Type **TK**: Button, with LED, red / green (bi-color)
- Type **TO**: Button, without LED

Connection types

- Type **K2**: Cable, end open, 2 m
- Type **K5**: Cable, end open, 5 m
- Type **S025**: Cable with plug, 0,25 m

Handle

Zinc die casting
Powder coated

- Black, RAL 9005, textured finish **SW**
- Silver, RAL 9006, textured finish **SR**

Button / Indicator light housing

Stainless steel AISI 304

Cable (Outer sheath)

Polyurethan (PUR)
Black

Light guide

Plastic
Crystal-clear Polycarbonate (PC)



ACCESSORY

- GN 330 Cables with Connector Coupling (5-pole, 5 or 10 meters long) (see page 1448)

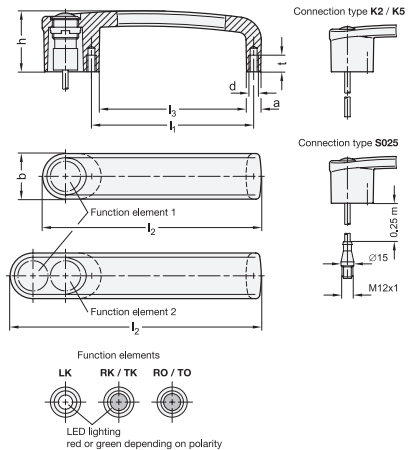
TECHNICAL INFORMATION

- Electrical and Mechanical Properties (see page)
- Load Rating Information (see page A35)
- Plastic Characteristics (see page A2)

INFORMATION

Cabinet U-handles GN 422 are used to operate covers and doors. The buttons integrated into the handle can send electrical control signals, and the LEDs can indicate the status of a machine control, for example.

The handle is available with either 1 or 2 function elements. The LEDs light up red or green depending on the polarity at the connections. Complementary cabinet U-handles without switching function are available as GN 422.1 (see page).



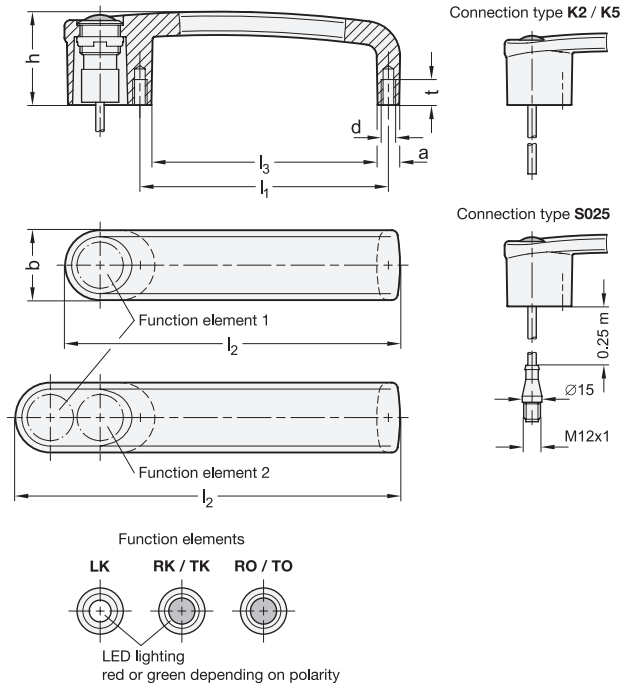
* Complete with

SW **SR**
RAL9005 RAL9006

GN 422-With 1 function element

Description	b	a	d	h	l ₁	l ₂	l ₃	t	⚖
GN 422-33-LK-K2-*	33	10.2	M 6	44	117	158	105.5	12	582
GN 422-33-LK-K5-*	33	10.2	M 6	44	117	158	105.5	12	582
GN 422-33-LK-S025-*	33	10.2	M 6	44	117	158	105.5	12	582
GN 422-33-RK-K2-*	33	10.2	M 6	44	117	158	105.5	12	582
GN 422-33-RK-K5-*	33	10.2	M 6	44	117	158	105.5	12	582
GN 422-33-RK-S025-*	33	10.2	M 6	44	117	158	105.5	12	582
GN 422-33-RO-K2-*	33	10.2	M 6	44	117	158	105.5	12	582
GN 422-33-RO-K5-*	33	10.2	M 6	44	117	158	105.5	12	582
GN 422-33-RO-S025-*	33	10.2	M 6	44	117	158	105.5	12	582
GN 422-33-TK-K2-*	33	10.2	M 6	44	117	158	105.5	12	582
GN 422-33-TK-K5-*	33	10.2	M 6	44	117	158	105.5	12	582
GN 422-33-TK-S025-*	33	10.2	M 6	44	117	158	105.5	12	582
GN 422-33-TO-K2-*	33	10.2	M 6	44	117	158	105.5	12	582
GN 422-33-TO-K5-*	33	10.2	M 6	44	117	158	105.5	12	582
GN 422-33-TO-S025-*	33	10.2	M 6	44	117	158	105.5	12	582

Weight SW



GN 422-With 2 function elements

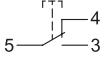
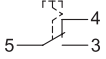
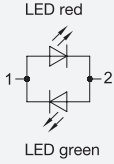
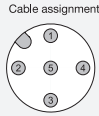
Description	b	a	d	h	l ₁	l ₂	l ₃	t	⚖️
GN 422-33-LK-LK-K2-*	33	10.2	M 6	44	117	181.5	105.5	12	790
GN 422-33-LK-LK-K5-*	33	10.2	M 6	44	117	181.5	105.5	12	790
GN 422-33-LK-LK-S025-*	33	10.2	M 6	44	117	181.5	105.5	12	790
GN 422-33-LK-RK-K2-*	33	10.2	M 6	44	117	181.5	105.5	12	790
GN 422-33-LK-RK-K5-*	33	10.2	M 6	44	117	181.5	105.5	12	790
GN 422-33-LK-RK-S025-*	33	10.2	M 6	44	117	181.5	105.5	12	790
GN 422-33-LK-RO-K2-*	33	10.2	M 6	44	117	181.5	105.5	12	790
GN 422-33-LK-RO-K5-*	33	10.2	M 6	44	117	181.5	105.5	12	790
GN 422-33-LK-RO-S025-*	33	10.2	M 6	44	117	181.5	105.5	12	790
GN 422-33-LK-TK-K2-*	33	10.2	M 6	44	117	181.5	105.5	12	790
GN 422-33-LK-TK-K5-*	33	10.2	M 6	44	117	181.5	105.5	12	790
GN 422-33-LK-TK-S025-*	33	10.2	M 6	44	117	181.5	105.5	12	790
GN 422-33-LK-TO-K2-*	33	10.2	M 6	44	117	181.5	105.5	12	790
GN 422-33-LK-TO-K5-*	33	10.2	M 6	44	117	181.5	105.5	12	790
GN 422-33-LK-TO-S025-*	33	10.2	M 6	44	117	181.5	105.5	12	790
GN 422-33-RK-LK-K2-*	33	10.2	M 6	44	117	181.5	105.5	12	790
GN 422-33-RK-LK-K5-*	33	10.2	M 6	44	117	181.5	105.5	12	790
GN 422-33-RK-LK-S025-*	33	10.2	M 6	44	117	181.5	105.5	12	790
GN 422-33-RK-RK-K2-*	33	10.2	M 6	44	117	181.5	105.5	12	790
GN 422-33-RK-RK-K5-*	33	10.2	M 6	44	117	181.5	105.5	12	790
GN 422-33-RK-RK-S025-*	33	10.2	M 6	44	117	181.5	105.5	12	790
GN 422-33-RK-RO-K2-*	33	10.2	M 6	44	117	181.5	105.5	12	790
GN 422-33-RK-RO-K5-*	33	10.2	M 6	44	117	181.5	105.5	12	790
GN 422-33-RK-RO-S025-*	33	10.2	M 6	44	117	181.5	105.5	12	790
GN 422-33-RK-TK-K2-*	33	10.2	M 6	44	117	181.5	105.5	12	790
GN 422-33-RK-TK-K5-*	33	10.2	M 6	44	117	181.5	105.5	12	790
GN 422-33-RK-TK-S025-*	33	10.2	M 6	44	117	181.5	105.5	12	790
GN 422-33-RK-TO-K2-*	33	10.2	M 6	44	117	181.5	105.5	12	790
GN 422-33-RK-TO-K5-*	33	10.2	M 6	44	117	181.5	105.5	12	790
GN 422-33-RK-TO-S025-*	33	10.2	M 6	44	117	181.5	105.5	12	790
GN 422-33-RO-LK-K5-*	33	10.2	M 6	44	117	181.5	105.5	12	790
GN 422-33-RO-LK-S025-*	33	10.2	M 6	44	117	181.5	105.5	12	790
GN 422-33-RO-RK-K2-*	33	10.2	M 6	44	117	181.5	105.5	12	790
GN 422-33-RO-RK-K5-*	33	10.2	M 6	44	117	181.5	105.5	12	790
GN 422-33-RO-RK-S025-*	33	10.2	M 6	44	117	181.5	105.5	12	790
GN 422-33-RO-RO-K2-*	33	10.2	M 6	44	117	181.5	105.5	12	790
GN 422-33-RO-RO-K5-*	33	10.2	M 6	44	117	181.5	105.5	12	790
GN 422-33-RO-RO-S025-*	33	10.2	M 6	44	117	181.5	105.5	12	790

Description	b	a	d	h	l ₁	l ₂	l ₃	t	⚖️
GN 422-33-RO-TK-K2-*	33	10.2	M 6	44	117	181.5	105.5	12	790
GN 422-33-RO-TK-K5-*	33	10.2	M 6	44	117	181.5	105.5	12	790
GN 422-33-RO-TK-S025-*	33	10.2	M 6	44	117	181.5	105.5	12	790
GN 422-33-RO-TO-K2-*	33	10.2	M 6	44	117	181.5	105.5	12	790
GN 422-33-RO-TO-K5-*	33	10.2	M 6	44	117	181.5	105.5	12	790
GN 422-33-RO-TO-S025-*	33	10.2	M 6	44	117	181.5	105.5	12	790
GN 422-33-TK-LK-K5-*	33	10.2	M 6	44	117	181.5	105.5	12	790
GN 422-33-TK-LK-S025-*	33	10.2	M 6	44	117	181.5	105.5	12	790
GN 422-33-TK-RK-K2-*	33	10.2	M 6	44	117	181.5	105.5	12	790
GN 422-33-TK-RK-K5-*	33	10.2	M 6	44	117	181.5	105.5	12	790
GN 422-33-TK-RK-S025-*	33	10.2	M 6	44	117	181.5	105.5	12	790
GN 422-33-TK-RO-K2-*	33	10.2	M 6	44	117	181.5	105.5	12	790
GN 422-33-TK-RO-K5-*	33	10.2	M 6	44	117	181.5	105.5	12	790
GN 422-33-TK-RO-S025-*	33	10.2	M 6	44	117	181.5	105.5	12	790
GN 422-33-TK-TK-K2-*	33	10.2	M 6	44	117	181.5	105.5	12	790
GN 422-33-TK-TK-K5-*	33	10.2	M 6	44	117	181.5	105.5	12	790
GN 422-33-TK-TK-S025-*	33	10.2	M 6	44	117	181.5	105.5	12	790
GN 422-33-TK-TO-K2-*	33	10.2	M 6	44	117	181.5	105.5	12	790
GN 422-33-TK-TO-K5-*	33	10.2	M 6	44	117	181.5	105.5	12	790
GN 422-33-TK-TO-S025-*	33	10.2	M 6	44	117	181.5	105.5	12	790
GN 422-33-TO-LK-K2-*	33	10.2	M 6	44	117	181.5	105.5	12	790
GN 422-33-TO-LK-K5-*	33	10.2	M 6	44	117	181.5	105.5	12	790
GN 422-33-TO-LK-S025-*	33	10.2	M 6	44	117	181.5	105.5	12	790
GN 422-33-TO-RK-K2-*	33	10.2	M 6	44	117	181.5	105.5	12	790
GN 422-33-TO-RK-K5-*	33	10.2	M 6	44	117	181.5	105.5	12	790
GN 422-33-TO-RK-S025-*	33	10.2	M 6	44	117	181.5	105.5	12	790
GN 422-33-TO-RO-K2-*	33	10.2	M 6	44	117	181.5	105.5	12	790
GN 422-33-TO-RO-K5-*	33	10.2	M 6	44	117	181.5	105.5	12	790
GN 422-33-TO-RO-S025-*	33	10.2	M 6	44	117	181.5	105.5	12	790
GN 422-33-TO-TK-K2-*	33	10.2	M 6	44	117	181.5	105.5	12	790
GN 422-33-TO-TK-K5-*	33	10.2	M 6	44	117	181.5	105.5	12	790
GN 422-33-TO-TK-S025-*	33	10.2	M 6	44	117	181.5	105.5	12	790
GN 422-33-TO-TO-K2-*	33	10.2	M 6	44	117	181.5	105.5	12	790
GN 422-33-TO-TO-K5-*	33	10.2	M 6	44	117	181.5	105.5	12	790
GN 422-33-TO-TO-S025-*	33	10.2	M 6	44	117	181.5	105.5	12	790

Weight SW



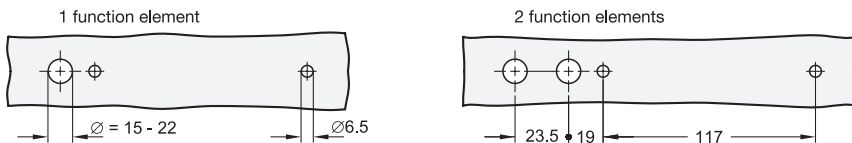


Electrical and Mechanical Properties																			
Button																			
Contacts	Changeover contact, snap contact																		
Contact material	Silver alloy																		
Switching voltages	max. 125 V (plug) max. 240 V (cable)																		
Switching current	max. 3 A																		
Mechanical lifespan	10 ⁶ switching cycles																		
Electrical lifespan	50,000 switching cycles (under full load)																		
	<div style="display: flex; justify-content: space-around;"> <div style="text-align: center;"> <p>TK / TO</p>  </div> <div style="text-align: center;"> <p>RK / RO</p>  </div> </div>																		
LED indicator light / LED ring lighting																			
Operating voltage / Operating current	24 V DC ± 10 % / 7 mA																		
Operating current bi-color (red / green)																			
																			
Category of use (Button)																			
	<p>AC 15: 24 V AC / 1 A / DC 13: 24 V DC / 0.7 A AC 15: 110 V AC / 1 A / DC 13: 110 V DC / 0.2 A AC 15: 220 V AC / 0.5 A / DC 13: 220 V DC / 0.1 A</p> <p style="text-align: right;">according to IEC 60947-5-1</p>																		
	<p>AC: 120 V AC / 5 A / DC: 12 V DC / 1 A AC: 240 V AC / 3 A</p> <p style="text-align: right;">according to UL 508</p>																		
Connection type																			
Cable with open end (K2 / K5)	PUR cable with open stranded wires (2 m or 5 m)																		
or																			
Cable with plug (S025)	5-pin connector M12x1 with PUR cable 0.25 m																		
																			
	<p>Pin assignment</p> <table border="0"> <tr> <td>LK</td> <td>RK / TK</td> <td>RO / TO</td> </tr> <tr> <td>1 - brown</td> <td>1 - green</td> <td>3 - brown</td> </tr> <tr> <td>2 - white</td> <td>2 - white</td> <td>4 - green</td> </tr> <tr> <td></td> <td>3 - yellow</td> <td>5 - white</td> </tr> <tr> <td></td> <td>4 - gray</td> <td></td> </tr> <tr> <td></td> <td>5 - brown</td> <td></td> </tr> </table>	LK	RK / TK	RO / TO	1 - brown	1 - green	3 - brown	2 - white	2 - white	4 - green		3 - yellow	5 - white		4 - gray			5 - brown	
LK	RK / TK	RO / TO																	
1 - brown	1 - green	3 - brown																	
2 - white	2 - white	4 - green																	
	3 - yellow	5 - white																	
	4 - gray																		
	5 - brown																		
Approvals / Conformities	CE																		
CE declaration																			

Security Information

The information in the operating instruction must be observed during installation, initial operation, and use. It is enclosed with the product and is provided digitally on the product page at lesa-ganter.com.

Installation Holes



The holes must be free of burrs to prevent damage to the cable.