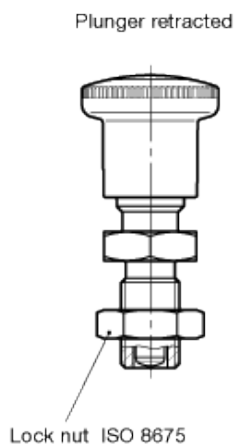
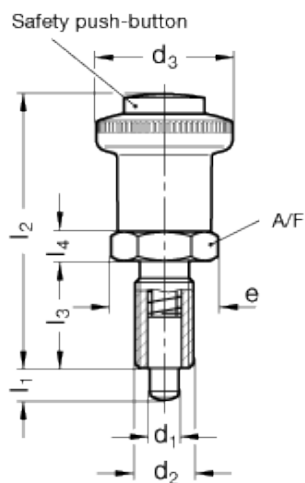


GN 414-NI

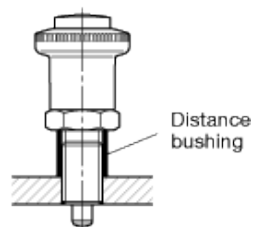
Stainless Steel-Safety indexing plungers



INOX
Stainless Steel



Information:
Mounting with
distance bushing GN 609



technical informations

Specification

Types:

- Type A
- Type AK

Stainless Steel AISI 303
Plunger chemically nickel plated

Knob

- Plastic (Polyamide PA)
- black-grey, RAL 7021, matt
- temperature resistant up to 80 °C
- not removable

Push-button

- Plastic (Polyacetal POM)
- red, RAL 3000, matt

Information

Indexing plungers GN 414 with safety function are used when the inadvertent retraction of the plunger pin is to be prevented. The protruding plunger is first locked and may be unlocked for pulling only by exerting axial pressure on the red safety push-

button.

In every case, the safety lock engages in the front end position, i.e. automatically if the indexing pin protrudes, with the locking mechanism housed fully in the operating button and protected from malfunctions. The specified axial load bearing capacity refers to the locking force of the bolt against inadvertent operation which must not be exceeded.

Standard Elements	Main dimensions										Spring pressure		Axial holding force	Weight
	Description	$d_1 -0.02/-0.04$	$l_1 \text{ min.}$	d_2	d_3	e	$l_2 \approx$	l_3	l_4	A/F	初始	末段		
GN 414-6-6-A-NI	6	6	M12x1.5	28	21.9	56	22	6	19	6.5	19	120	20	
GN 414-6-9-A-NI	6	9	M12x1.5	28	21.9	56	22	6	19	6	25	120	50	
GN 414-8-8-A-NI	8	8	M16x1.5	28	21.9	62	26	8	19	8.5	26	120	70	
GN 414-8-12-A-NI	8	12	M16x1.5	28	21.9	62	26	8	19	8.5	28	120	73	
GN 414-10-12-A-NI	10	12	M16x1.5	28	21.9	62	26	8	19	9.5	30	120	75	
GN 414-6-6-AK-NI	6	6	M12x1.5	28	21.9	56	22	6	19	6.5	19	120	60	
GN 414-6-9-AK-NI	6	9	M12x1.5	28	21.9	56	22	6	19	6	25	120	60	
GN 414-8-8-AK-NI	8	8	M16x1.5	28	21.9	62	26	8	19	8.5	26	120	90	
GN 414-8-12-AK-NI	8	12	M16x1.5	28	21.9	62	26	8	19	8.5	28	120	80	
GN 414-10-12-AK-NI	10	12	M16x1.5	28	21.9	62	26	8	19	9.5	30	120	90	



STANDARD MACHINE ELEMENTS WORLDWIDE