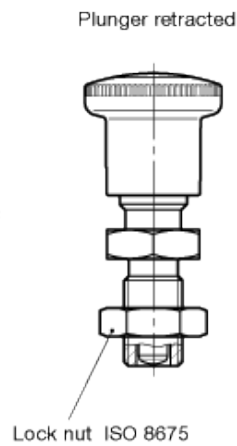
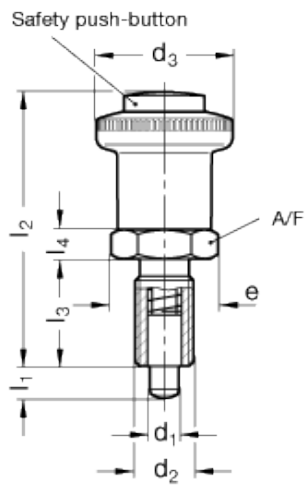
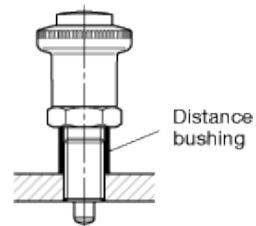


GN 414

Safety indexing plungers



Information:
Mounting with
distance bushing GN 609



technical informations

Threaded body
Black-oxide steel.

Plunger

Black-oxide steel. Suggested matching hole with tolerance H7.

Locking nut

Black-oxide steel.

Safety push button

High resilience polyamide based (PA) technopolymer red colour RAL 3000, matte finish. Resistant to solvents, oils, greases and other chemical agents.

"Push/Pull" knurled knob

High resilience polyamide based (PA) technopolymer black colour, matte finish. Resistant to solvents, oils, greases and other chemical agents.

Standard versions available

- Type A: protruded plunger locked, without locking nut.
- Type AK: protruded plunger locked, with locking nut, ISO 8675.

Accessories on request

Distance bushings GN 609.

Features and applications

Indexing plungers GN 414 with safety function are used when the inadvertent retraction of the plunger pin is to be prevented. The protruding plunger is first locked and may be unlocked for pulling only by exerting axial pressure on the red safety push-button.

In every case, the safety lock engages in the front end position, i.e. automatically if the indexing pin protrudes, with the locking mechanism housed fully in the operating button and protected from malfunctions. The specified axial load bearing capacity refers to the locking force of the bolt against inadvertent operation which must not be exceeded.

Standard Elements	Main dimensions									Spring pressure		Axial holding force	Weight
	Description	$d_1 -0.02/-0.04$	$l_1 \text{ min.}$	d_2	d_3	e	l_2	l_3	l_4	A/F	Preload [N~]	Max. load [N~]	
GN 414-6-6-A	6	6	M12x1.5	28	21.9	56	22	6	19	6.5	19	120	20
GN 414-6-9-A	6	9	M12x1.5	28	21.9	56	22	6	19	6	25	120	50
GN 414-8-8-A	8	8	M16x1.5	28	21.9	62	26	8	19	8.5	26	120	70
GN 414-8-12-A	8	12	M16x1.5	28	21.9	62	26	8	19	8.5	28	120	73
GN 414-10-12-A	10	12	M16x1.5	28	21.9	62	26	8	19	9.5	30	120	75
GN 414-6-6-AK	6	6	M12x1.5	28	21.9	56	22	6	19	6.5	19	120	60
GN 414-6-9-AK	6	9	M12x1.5	28	21.9	56	22	6	19	6	25	120	60
GN 414-8-8-AK	8	8	M16x1.5	28	21.9	62	26	8	19	8.5	26	120	90
GN 414-8-12-AK	8	12	M16x1.5	28	21.9	62	26	8	19	8.5	28	120	80
GN 414-10-12-AK	10	12	M16x1.5	28	21.9	62	26	8	19	9.5	30	120	90



STANDARD MACHINE ELEMENTS WORLDWIDE