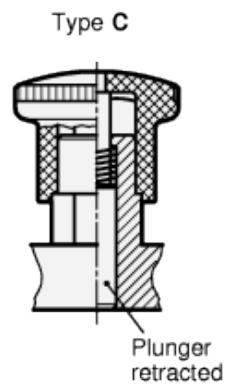
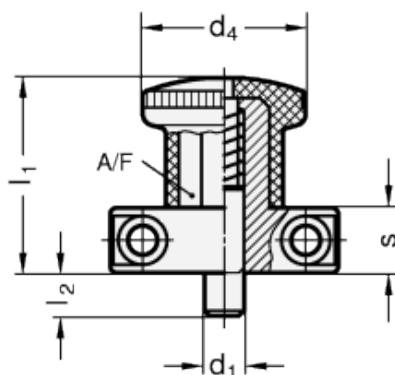
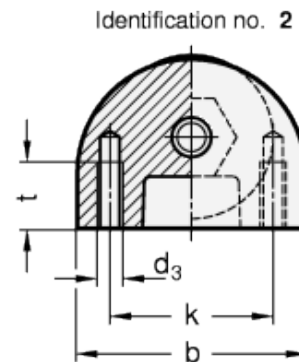
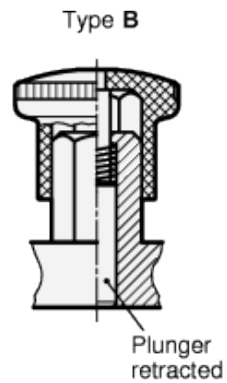
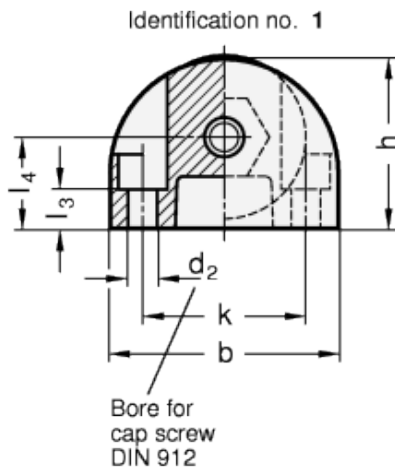


GN 412

Indexing plungers



Rest position with
6 indexing positions (6x30°)



technical informations

Specification

Types

- Type B: without rest position

- Type C: with rest position

Identification no.

- No. 1: Mounting from the front
- No. 2: Mounting from the back

Guide

Zinc die casting
zinc plated, blue passivated

Plunger

Stainless Steel AISI 303

Spring

Stainless Steel AISI 301

Knob

Plastic (Polyamide PA)
- black, matt finish
- not removable

Information

The outstanding feature of the indexing plungers GN 412 is their compact design. They are mounted either from the front with cylinder head screws or from the back through threads. In Type C, the knob can be turned by 30° after retracting the indexing pin, holding it in the "retracted" position by means of the indexing lock.

The dimensions and connection measurements match the combination with GN 412.1 mounting blocks in connection with positioning bushings GN 412.2 or GN 412.3.

Standard Elements	Main dimensions															Spring load in N \approx		Weight
	Description	d ₁	b	d ₂	d ₃	d ₄	h	k	l ₁	l _{2 min.}	l ₃	l ₄	s	A/F	t	initial	end	
GN 412-5-35-B-1	5	35	4.3	-	25	26	25	32	6	6	14	12	12	-	-	5	15	-
GN 412-5-35-B-2	5	35	-	M 4	25	26	25	32	6	-	-	12	12	10	-	5	15	-
GN 412-6-35-B-1	6	35	4.3	-	25	26	25	32	6	6	14	12	12	-	-	5	15	-
GN 412-6-35-B-2	6	35	-	M 4	25	26	25	32	6	-	-	12	12	10	-	5	15	-
GN 412-8-47-B-1	8	47	5.3	-	33	34	35	39	10	10	18	14	17	-	-	9	35	-
GN 412-8-47-B-2	8	47	-	M 5	33	34	35	39	10	-	-	14	17	12	-	9	35	-
GN 412-10-47-B-1	10	47	5.3	-	33	34	35	39	10	10	18	14	17	-	-	9	35	-
GN 412-10-47-B-2	10	47	-	M 5	33	34	35	39	10	-	-	14	17	12	-	9	35	-
GN 412-5-35-C-1	5	35	4.3	-	25	26	25	32	6	6	14	12	12	-	-	5	15	-
GN 412-5-35-C-2	5	35	-	M 4	25	26	25	32	6	-	-	12	12	10	-	5	15	-
GN 412-6-35-C-1	6	35	4.3	-	25	26	25	32	6	6	14	12	12	-	-	5	15	-
GN 412-6-35-C-2	6	35	-	M 4	25	26	25	32	6	-	-	12	12	10	-	5	15	-
GN 412-8-47-C-1	8	47	5.3	-	33	34	35	39	10	10	18	14	17	-	-	9	35	-
GN 412-8-47-C-2	8	47	-	M 5	33	34	35	39	10	-	-	14	17	12	-	9	35	-
GN 412-10-47-C-1	10	47	5.3	-	33	34	35	39	10	10	18	14	17	-	-	9	35	-
GN 412-10-47-C-2	10	47	-	M 5	33	34	35	39	10	-	-	14	17	12	-	9	35	-



ELESA and GANTER models all rights reserved in accordance with the law. Always mention the source when reproducing our drawings.

STANDARD MACHINE ELEMENTS WORLDWIDE