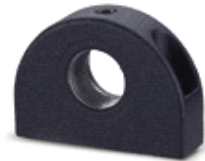
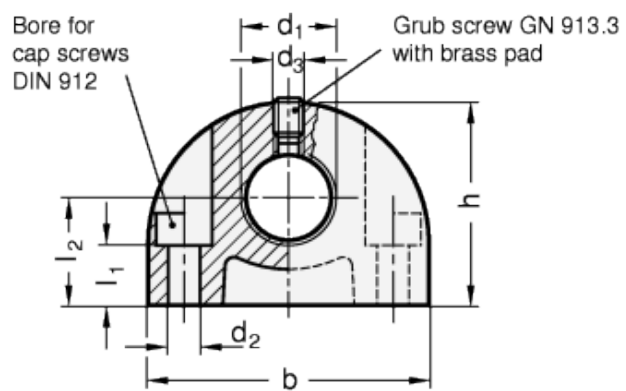


# GN 412.1

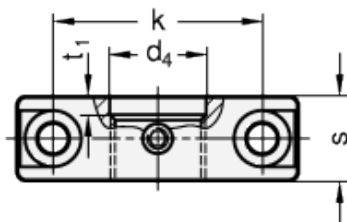
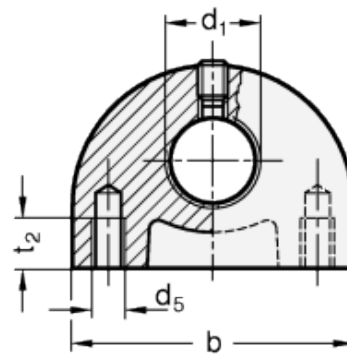
Mounting blocks



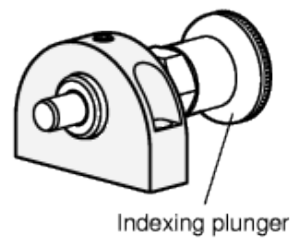
Identification no. 1



Identification no. 2



Example of application



technical informations

## Specification

Identification no.

- No. 1: Mounting from the front
- No. 2: Mounting from the back

Zinc die casting

plastic coated  
black, textured finish

## Information

Mounting blocks GN 412.1 are a reasonably priced Fitting aid for indexing plungers, cam action indexing plungers and for setting bolts and buffers.

To position the indexing pin of an indexing Plunger or cam action indexing plunger, they can also hold positioning bushings GN 412.2.

Standard Elements	Main dimensions													Weight
Description	l <sub>1</sub>	d <sub>1</sub>	d <sub>2</sub>	d <sub>3</sub>	d <sub>4</sub>	d <sub>5</sub>	k	l <sub>2</sub>	l <sub>3</sub>	l <sub>4</sub>	s	t <sub>1</sub>	t <sub>2 min.</sub>	g
GN 412.1-35-M8-1	35	M8	4.3	M4	8.2	-	25	26	6	14	12	2	-	41
GN 412.1-35-M8x1-1	35	M8x1	4.3	M4	8.2	-	25	26	6	14	12	2	-	41
GN 412.1-35-M10-1	35	M10	4.3	M4	10.2	-	25	26	6	14	12	2	-	38
GN 412.1-35-M10x1-1	35	M10x1	4.3	M4	10.2	-	25	26	6	14	12	2	-	38
GN 412.1-35-M12-1	35	M12	4.3	M4	12.2	-	25	26	6	14	12	3	-	37
GN 412.1-35-M12x1.5-1	35	M12x1.5	4.3	M4	12.2	-	25	26	6	14	12	3	-	37
GN 412.1-47-M16-1	47	M16	5.3	M5	16.2	-	35	34	10	18	14	3	-	76
GN 412.1-47-M16x1.5-1	47	M16x1.5	5.3	M5	16.2	-	35	34	10	18	14	3	-	77
GN 412.1-47-M20x1.5-1	47	M20x1.5	5.3	M5	20.2	-	35	34	10	18	14	3	-	78
GN 412.1-35-M8-2	35	M8	-	M4	8.2	M5	25	26	6	14	12	-	10	-
GN 412.1-35-M8x1-2	35	M8x1	-	M4	8.2	M5	25	26	6	14	12	-	10	-
GN 412.1-35-M10-2	35	M10	-	M4	10.2	M5	25	26	6	14	12	-	10	-
GN 412.1-35-M10x1-2	35	M10x1	-	M4	10.2	M5	25	26	6	14	12	-	10	-
GN 412.1-35-M12-2	35	M12	-	M4	12.2	M6	25	26	6	14	12	-	12	-
GN 412.1-35-M12x1.5-2	35	M12x1.5	-	M4	12.2	M6	25	26	6	14	12	-	12	-
GN 412.1-47-M16-2	47	M16	-	M5	16.2	M6	35	34	10	18	14	-	12	-
GN 412.1-47-M16x1.5-2	47	M16x1.5	-	M5	16.2	M6	35	34	10	18	14	-	12	-
GN 412.1-47-M20x1.5-2	47	M20x1.5	-	M5	20.2	M6	35	34	10	18	14	-	12	-



STANDARD MACHINE ELEMENTS WORLDWIDE