

Levelling feet

Steel zinc plated, without fixing lug

SPECIFICATION

Types (Base plate)

- Type **A0**: Steel, zinc plated, without rubber underlay
- Type **A1**: Steel, zinc plated, rubber clipped on, black
- Type **B0**: without rubber underlay, with 2 fixing holes
- Type **A3**: Stainless Steel, blank, rubber vulcanised, black

Version

- Version **S**: without nut, external hexagon at the bottom
- Version **SK**: with nut, external hexagon at the bottom
- Version **U**: without nut, hexagon socket at the top, wrench flat at the bottom
- Version **UK**: with nut, with hexagon socket at the top, wrench flat at the bottom
- Version **X**: with female thread, external hexagon

Base plate

- Type B0 / A0 / A1: Steel, zinc plated
- Type A3: Stainless Steel AISI 303

Threaded stem

Steel, zinc plated, blue passivated

Hexagon nut ISO 4032

Steel, zinc plated, blue passivated

Rubber cap, clipped on

black, Santoprene® (TPE) 80 ≈ Shore A

Rubber underlay, vulcanised

black, Perbunan® (NBR) 70 ± Shore A

INFORMATION

Levelling feet GN 40 are easy and very reasonably priced foot design variants.

They will be delivered mounted and are not removable.

TECHNICAL INFORMATION

- Stainless Steel characteristics (see page A26)
- Elastomer characteristics (see page A32)



LOAD RATING OF LEVELLING FEET

Information

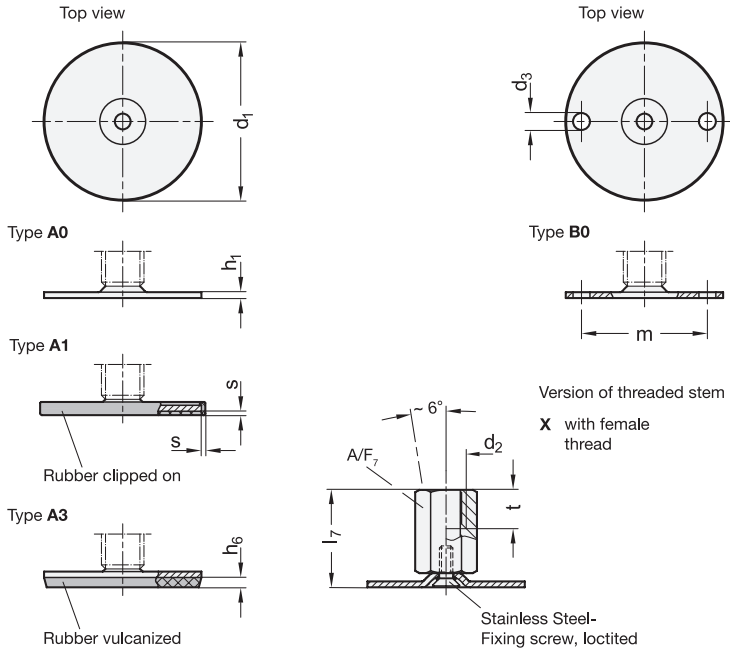
The static load bearing capacity given in the table rests on a test series in which the load has been applied perpendicular to the base plate (without rubber underlay). For the values given in the table, the strain relief may result in minor deformations of the base plate.

Bending and buckling stress which often occurs in practice results in a lower load bearing capacity of the adjustment spindle and may have to be taken into account.

Also, the spindle strength is assumed to be $\geq 500 \text{ N/mm}^2$.

The details given on strength are nonbinding guide values without any liability. In general, they do not constitute a warranty of quality.

The user must determine from case to case if a product is suitable for the intended purpose or use. Environmental factors may influence the stated values.



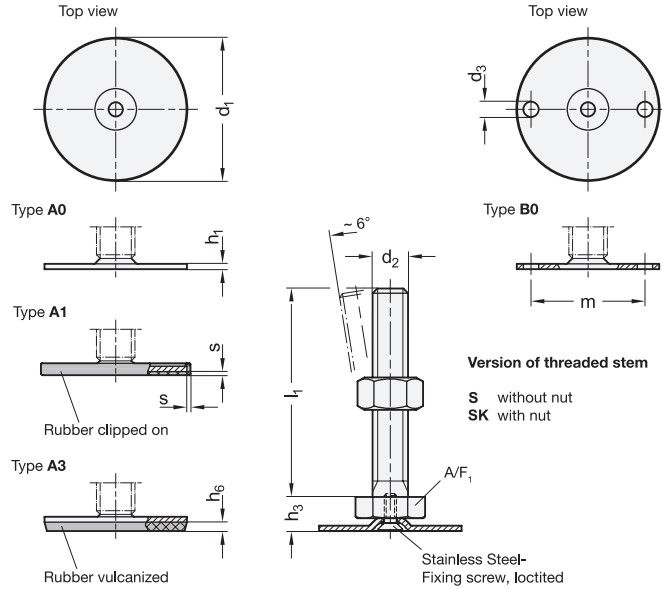
GN 40-X

Description	d1	d2	l7	d3	h1	h6	m	s	A/F ₇	t	Static load in kN
GN 40-40-M8-25-A0-X	40	M 8	25	-	2	-	-	-	14	8	7 50
GN 40-40-M8-25-A1-X	40	M 8	25	-	2	-	1.5	14	8	7 50	
GN 40-40-M8-25-B0-X	40	M 8	25	5.4	2	-	30	-	14	8 7 63	
GN 40-40-M8-25-A3-X	40	M 8	25	-	2	3.5	-	-	14	8 7 91	
GN 40-40-M10-28-A0-X	40	M 10	28	-	2	-	-	-	14	10 7 40	
GN 40-40-M10-28-A1-X	40	M 10	28	-	2	-	1.5	14	10 7 45		
GN 40-40-M10-28-B0-X	40	M 10	28	5.4	2	-	30	-	14	10 7 61	
GN 40-40-M10-28-A3-X	40	M 10	28	-	2	3.5	-	-	14	10 7 50	
GN 40-40-M12-31-A0-X	40	M 12	31	-	2	-	-	-	17	12 7 68	
GN 40-40-M12-31-A1-X	40	M 12	31	-	2	-	1.5	17	12 7 80		
GN 40-40-M12-31-B0-X	40	M 12	31	5.4	2	-	30	-	17	12 7 77	
GN 40-40-M12-31-A3-X	40	M 12	31	-	2	3.5	-	-	17	12 7 91	
GN 40-40-M16-37-A0-X	40	M 16	37	-	2	-	-	-	22	16 7 91	
GN 40-40-M16-37-A1-X	40	M 16	37	-	2	-	1.5	22	16 7 91		
GN 40-40-M16-37-A3-X	40	M 16	37	-	2	3.5	-	-	22	16 7 91	
GN 40-50-M8-25-A0-X	50	M 8	25	-	2.5	-	-	-	14	8 8 91	
GN 40-50-M8-25-A1-X	50	M 8	25	-	2.5	-	-	2	14	8 8 91	
GN 40-50-M8-25-B0-X	50	M 8	25	6.6	2.5	-	38	-	14	8 8 81	
GN 40-50-M8-25-A3-X	50	M 8	25	-	2.5	4	-	-	14	8 8 91	
GN 40-50-M10-28-A0-X	50	M 10	28	-	2.5	-	-	-	14	10 8 91	
GN 40-50-M10-28-A1-X	50	M 10	28	-	2.5	-	-	2	14	10 8 91	
GN 40-50-M10-28-B0-X	50	M 10	28	6.6	2.5	-	38	-	14	10 8 79	
GN 40-50-M10-28-A3-X	50	M 10	28	-	2.5	4	-	-	14	10 8 91	
GN 40-50-M12-32-A0-X	50	M 12	32	-	2.5	-	-	-	17	12 8 91	
GN 40-50-M12-32-A1-X	50	M 12	32	-	2.5	-	2	17	12 8 91		
GN 40-50-M12-32-B0-X	50	M 12	32	6.6	2.5	-	38	-	17	12 8 90	
GN 40-50-M12-32-A3-X	50	M 12	32	-	2.5	4	-	-	17	12 8 91	
GN 40-50-M16-37-A0-X	50	M 16	37	-	2.5	-	-	-	22	16 8 91	
GN 40-50-M16-37-A1-X	50	M 16	37	-	2.5	-	-	2	22	16 8 91	
GN 40-50-M16-37-B0-X	50	M 16	37	6.6	2.5	-	38	-	22	16 8 95	
GN 40-50-M16-37-A3-X	50	M 16	37	-	2.5	4	-	-	22	16 8 91	
GN 40-60-M8-25-A0-X	60	M 8	25	-	2.5	-	-	-	14	8 8 91	
GN 40-60-M8-25-A1-X	60	M 8	25	-	2.5	-	-	2	14	8 8 91	

GN 40-X

Description	d1	d2	l7	d3	h1	h6	m	s	A/F ₇	t	Static load in kN
GN 40-60-M8-25-B0-X	60	M 8	25	6.6	2.5	-	48	-	14	8 8 88	
GN 40-60-M8-25-A3-X	60	M 8	25	-	2.5	4.5	-	-	14	8 8 91	
GN 40-60-M10-28-A0-X	60	M 10	28	-	2.5	-	-	-	14	10 10 91	
GN 40-60-M10-28-A1-X	60	M 10	28	-	2.5	-	2	14	10 10 91		
GN 40-60-M10-28-B0-X	60	M 10	28	6.6	2.5	-	48	-	14	10 10 86	
GN 40-60-M10-28-A3-X	60	M 10	28	-	2.5	4.5	-	-	14	10 10 91	
GN 40-60-M12-32-A0-X	60	M 12	32	-	2.5	-	-	-	17	12 10 91	
GN 40-60-M12-32-A1-X	60	M 12	32	-	2.5	-	2	17	12 10 91		
GN 40-60-M12-32-B0-X	60	M 12	32	6.6	2.5	-	48	-	17	12 10 88	
GN 40-60-M16-37-A0-X	60	M 16	37	-	2.5	4.5	-	-	17	12 10 91	
GN 40-60-M16-37-A1-X	60	M 16	37	-	2.5	-	-	-	22	16 10 91	
GN 40-60-M16-37-B0-X	60	M 16	37	6.6	2.5	-	48	-	22	16 10 86	
GN 40-80-M8-26-A0-X	80	M 8	26	-	3	-	-	-	14	8 8 91	
GN 40-80-M8-26-A1-X	80	M 8	26	-	3	-	2	14	8 8 91		
GN 40-80-M8-26-B0-X	80	M 8	26	8.6	3	-	64	-	14	8 8 85	
GN 40-80-M8-26-A3-X	80	M 8	26	-	3	5	-	-	14	8 8 91	
GN 40-80-M10-29-A0-X	80	M 10	29	-	3	-	-	-	14	10 10 91	
GN 40-80-M10-29-A1-X	80	M 10	29	-	3	-	2	14	10 10 91		
GN 40-80-M10-29-B0-X	80	M 10	29	8.6	3	-	64	-	14	10 10 91	
GN 40-80-M10-29-A3-X	80	M 10	29	-	3	5	-	-	14	10 10 91	
GN 40-80-M12-32-A0-X	80	M 12	32	-	3	-	-	-	17	12 12 91	
GN 40-80-M12-32-A1-X	80	M 12	32	-	3	-	2	17	12 12 91		
GN 40-80-M12-32-B0-X	80	M 12	32	8.6	3	-	64	-	17	12 12 90	
GN 40-80-M12-32-A3-X	80	M 12	32	-	3	5	-	-	17	12 12 191	
GN 40-80-M16-38-A0-X	80	M 16	38	-	3	-	-	-	22	16 12 91	
GN 40-80-M16-38-A1-X	80	M 16	38	-	3	-	2	22	16 12 91		
GN 40-80-M16-38-B0-X	80	M 16	38	8.6	3	-	64	-	22	16 12 89	
GN 40-80-M16-38-A3-X	80	M 16	38	-	3	5	-	-	22	16 12 91	
GN 40-80-M20-45-A0-X	80	M 20	45	-	3	-	-	-	27	20 16 91	
GN 40-80-M20-45-A1-X	80	M 20	45	-	3	-	2	27	20 16 91		
GN 40-80-M20-45-B0-X	80	M 20	45	8.6	3	-	64	-	27	20 16 89	
GN 40-80-M20-45-A3-X	80	M 20	45	-	3	5	-	-	27	20 16 91	





* Complete with version of the Levelling feet (External hexagon at the bottom)

S without nut
SK with nut

GN 40-S/SK

Description	d1	d2	l1	d3	h1	h6	m	s	h3	A/F ₁	Static load in kN	
GN 40-40-M8-40-A0-*	40	M 8	40	-	2	-	-	-	11	17	7	50
GN 40-40-M8-40-A1-*	40	M 8	40	-	2	-	-	1.5	11	17	7	50
GN 40-40-M8-40-B0-*	40	M 8	40	5.4	2	-	30	-	11	17	7	57
GN 40-40-M8-40-A3-*	40	M 8	40	-	2	3.5	-	-	11	17	7	52
GN 40-40-M8-50-A0-*	40	M 8	50	-	2	-	-	-	11	17	7	51
GN 40-40-M8-50-A1-*	40	M 8	50	-	2	-	-	1.5	11	17	7	53
GN 40-40-M8-50-B0-*	40	M 8	50	5.4	2	-	30	-	11	17	7	43
GN 40-40-M8-50-A3-*	40	M 8	50	-	2	3.5	-	-	11	17	7	54
GN 40-40-M8-63-A0-*	40	M 8	63	-	2	-	-	-	11	17	7	55
GN 40-40-M8-63-A1-*	40	M 8	63	-	2	-	-	1.5	11	17	7	57
GN 40-40-M8-63-B0-*	40	M 8	63	5.4	2	-	30	-	11	17	7	47
GN 40-40-M8-63-A3-*	40	M 8	63	-	2	3.5	-	-	11	17	7	58
GN 40-40-M10-50-A0-*	40	M 10	50	-	2	-	-	-	11	17	7	55
GN 40-40-M10-50-A1-*	40	M 10	50	-	2	-	-	1.5	11	17	7	55
GN 40-40-M10-50-B0-*	40	M 10	50	5.4	2	-	30	-	11	17	7	58
GN 40-40-M10-50-A3-*	40	M 10	50	-	2	3.5	-	-	11	17	7	74
GN 40-40-M10-60-A0-*	40	M 10	60	-	2	-	-	-	11	17	7	60
GN 40-40-M10-60-A1-*	40	M 10	60	-	2	-	-	1.5	11	17	7	73
GN 40-40-M10-60-B0-*	40	M 10	60	5.4	2	-	30	-	11	17	7	60
GN 40-40-M10-60-A3-*	40	M 10	60	-	2	3.5	-	-	11	17	7	77
GN 40-40-M10-80-A0-*	40	M 10	80	-	2	-	-	-	11	17	7	82
GN 40-40-M10-80-A1-*	40	M 10	80	-	2	-	-	1.5	11	17	7	87
GN 40-40-M10-80-B0-*	40	M 10	80	5.4	2	-	30	-	11	17	7	90
GN 40-40-M10-80-A3-*	40	M 10	80	-	2	3.5	-	-	11	17	7	90
GN 40-40-M10-100-A0-*	40	M 10	100	-	2	-	-	-	11	17	7	97
GN 40-40-M10-100-A1-*	40	M 10	100	-	2	-	-	1.5	11	17	7	97
GN 40-40-M10-100-B0-*	40	M 10	100	5.4	2	-	30	-	11	17	7	97
GN 40-40-M10-100-A3-*	40	M 10	100	-	2	3.5	-	-	11	17	7	98
GN 40-40-M12-60-A0-*	40	M 12	60	-	2	-	-	-	11	17	7	90
GN 40-40-M12-60-A1-*	40	M 12	60	-	2	-	-	1.5	11	17	7	90
GN 40-40-M12-60-B0-*	40	M 12	60	5.4	2	-	30	-	11	17	7	90
GN 40-40-M12-60-A3-*	40	M 12	60	-	2	3.5	-	-	11	17	7	91

GN 40-S/SK

Description	d1	d2	l1	d3	h1	h6	m	s	h3	A/F ₁	Static load in kN	
GN 40-40-M12-80-A0-*	40	M 12	80	-	2	-	-	-	11	17	7	103
GN 40-40-M12-80-A1-*	40	M 12	80	-	2	-	-	1.5	11	17	7	105
GN 40-40-M12-80-B0-*	40	M 12	80	5.4	2	-	30	-	11	17	7	90
GN 40-40-M12-80-A3-*	40	M 12	80	-	2	3.5	-	-	11	17	7	110
GN 40-40-M12-100-A0-*	40	M 12	100	-	2	-	-	-	11	17	7	118
GN 40-40-M12-100-A1-*	40	M 12	100	-	2	-	-	1.5	11	17	7	120
GN 40-40-M12-100-B0-*	40	M 12	100	5.4	2	-	30	-	11	17	7	119
GN 40-40-M12-100-A3-*	40	M 12	100	-	2	3.5	-	-	11	17	7	120
GN 40-40-M12-125-A0-*	40	M 12	125	-	2	-	-	-	11	17	7	140
GN 40-40-M12-125-A1-*	40	M 12	125	-	2	-	-	1.5	11	17	7	140
GN 40-40-M12-125-B0-*	40	M 12	125	5.4	2	-	30	-	11	17	7	146
GN 40-40-M12-125-A3-*	40	M 12	125	-	2	3.5	-	-	11	17	7	140
GN 40-50-M8-40-A0-*	50	M 8	40	-	2.5	-	-	-	11	17	8	70
GN 40-50-M8-40-A1-*	50	M 8	40	-	2.5	-	-	2	11	17	8	71
GN 40-50-M8-40-B0-*	50	M 8	40	6.6	2.5	-	38	-	11	17	8	58
GN 40-50-M8-40-A3-*	50	M 8	40	-	2.5	4	-	-	11	17	8	95
GN 40-50-M8-50-A0-*	50	M 8	50	-	2.5	-	-	-	11	17	8	69
GN 40-50-M8-50-A1-*	50	M 8	50	-	2.5	-	-	2	11	17	8	72
GN 40-50-M8-50-B0-*	50	M 8	50	6.6	2.5	-	38	-	11	17	8	61
GN 40-50-M8-50-A3-*	50	M 8	50	-	2.5	4	-	-	11	17	8	80
GN 40-50-M8-63-A0-*	50	M 8	63	-	2.5	-	-	-	11	17	8	72
GN 40-50-M8-63-A1-*	50	M 8	63	-	2.5	-	-	2	11	17	8	79
GN 40-50-M8-63-B0-*	50	M 8	63	6.6	2.5	-	38	-	11	17	8	65
GN 40-50-M8-63-A3-*	50	M 8	63	-	2.5	4	-	-	11	17	8	80
GN 40-50-M10-50-A0-*	50	M 10	50	-	2.5	-	-	-	11	17	8	82
GN 40-50-M10-50-A1-*	50	M 10	50	-	2.5	-	-	2	11	17	8	89
GN 40-50-M10-50-B0-*	50	M 10	50	6.6	2.5	-	38	-	11	17	8	91
GN 40-50-M10-50-A3-*	50	M 10	50	-	2.5	4	-	-	11	17	8	91
GN 40-50-M10-60-A0-*	50	M 10	60	-	2.5	-	-	-	11	17	8	90
GN 40-50-M10-60-A1-*	50	M 10	60	-	2.5	-	-	2	11	17	8	88
GN 40-50-M10-60-B0-*	50	M 10	60	6.6	2.5	-	38	-	11	17	8	95
GN 40-50-M10-60-A3-*	50	M 10	60	-	2.5	4	-	-	11	17	8	90
GN 40-50-M10-80-A0-*	50	M 10	80	-	2.5	-	-	-	11	17	8	98
GN 40-50-M10-80-A1-*	50	M 10	80	-	2.5	-	-	2	11	17	8	103

Weight Version S

* Complete with version of the Levelling feet (External hexagon at the bottom)

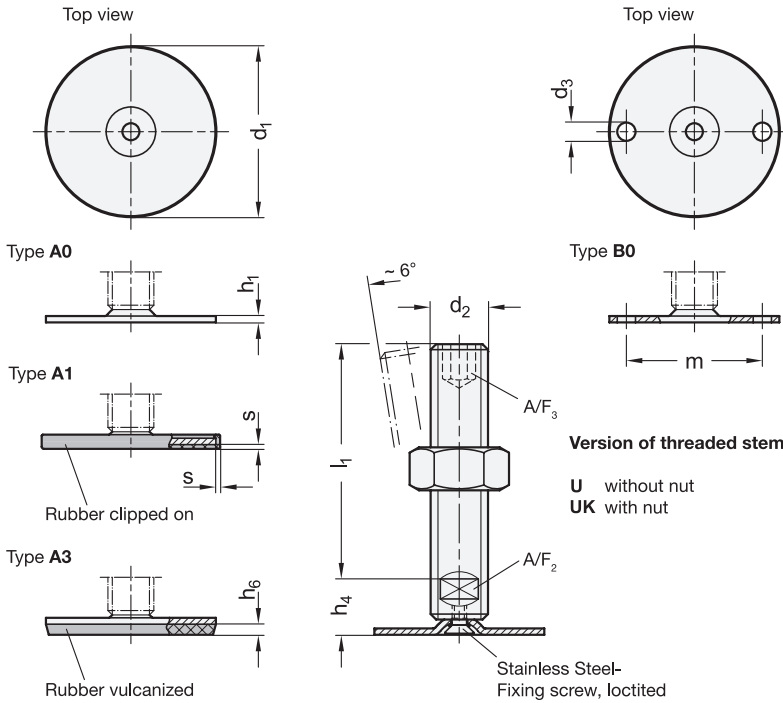
S without nut SK with nut

GN 40-S/SK

Description	d1	d2	l1	d3	h1	h6	m	s	h3	A/F ₁	Static load in kN		
GN 40-50-M10-80-B0-*	50	M 10	80	6.6	2.5	-	38	-	11	17	8	92	
GN 40-50-M10-80-A3-*	50	M 10	80	-	2.5	4	-	-	11	17	8	100	
GN 40-50-M10-100-A0-*	50	M 10	100	-	2.5	-	-	-	11	17	8	108	
GN 40-50-M10-100-A1-*	50	M 10	100	-	2.5	-	-	2	11	17	8	100	
GN 40-50-M10-100-B0-*	50	M 10	100	6.6	2.5	-	38	-	11	17	8	115	
GN 40-50-M10-100-A3-*	50	M 10	100	-	2.5	4	-	-	11	17	8	120	
GN 40-50-M12-60-A0-*	50	M 12	60	-	2.5	-	-	-	11	17	8	106	
GN 40-50-M12-60-A1-*	50	M 12	60	-	2.5	-	-	2	11	17	8	112	
GN 40-50-M12-60-B0-*	50	M 12	60	6.6	2.5	-	38	-	11	17	8	108	
GN 40-50-M12-60-A3-*	50	M 12	60	-	2.5	4	-	-	11	17	8	120	
GN 40-50-M12-80-A0-*	50	M 12	80	-	2.5	-	-	-	11	17	8	119	
GN 40-50-M12-80-A1-*	50	M 12	80	-	2.5	-	-	2	11	17	8	130	
GN 40-50-M12-80-B0-*	50	M 12	80	6.6	2.5	-	38	-	11	17	8	123	
GN 40-50-M12-80-A3-*	50	M 12	80	-	2.5	4	-	-	11	17	8	140	
GN 40-50-M12-100-A0-*	50	M 12	100	-	2.5	-	-	-	11	17	8	137	
GN 40-50-M12-100-A1-*	50	M 12	100	-	2.5	-	-	2	11	17	8	132	
GN 40-50-M12-100-B0-*	50	M 12	100	6.6	2.5	-	38	-	11	17	8	137	
GN 40-50-M12-100-A3-*	50	M 12	100	-	2.5	4	-	-	11	17	8	140	
GN 40-50-M12-125-A0-*	50	M 12	125	-	2.5	-	-	-	11	17	8	184	
GN 40-50-M12-125-A1-*	50	M 12	125	-	2.5	-	-	2	11	17	8	140	
GN 40-50-M12-125-B0-*	50	M 12	125	6.6	2.5	-	38	-	11	17	8	140	
GN 40-50-M12-125-A3-*	50	M 12	125	-	2.5	4.5	-	-	11	17	8	150	
GN 40-60-M8-40-A0-*	60	M 8	40	-	2.5	-	-	-	11	17	8	84	
GN 40-60-M8-40-A1-*	60	M 8	40	-	2.5	-	-	2	11	17	8	91	
GN 40-60-M8-40-B0-*	60	M 8	40	6.6	2.5	-	48	-	11	17	8	75	
GN 40-60-M8-40-A3-*	60	M 8	40	-	2.5	4.5	-	-	11	17	8	100	
GN 40-60-M8-50-A0-*	60	M 8	50	-	2.5	-	-	-	11	17	8	102	
GN 40-60-M8-50-A1-*	60	M 8	50	-	2.5	-	-	2	11	17	8	95	
GN 40-60-M8-50-B0-*	60	M 8	50	6.6	2.5	-	48	-	11	17	8	90	
GN 40-60-M8-50-A3-*	60	M 8	50	-	2.5	4.5	-	-	11	17	8	102	
GN 40-60-M8-63-A0-*	60	M 8	63	-	2.5	-	-	-	11	17	8	92	
GN 40-60-M8-63-A1-*	60	M 8	63	-	2.5	-	-	2	11	17	8	94	
GN 40-60-M8-63-B0-*	60	M 8	63	6.6	2.5	-	48	-	11	17	8	90	
GN 40-60-M8-63-A3-*	60	M 8	63	-	2.5	4.5	-	-	11	17	8	100	
GN 40-60-M10-50-A0-*	60	M 10	50	-	2.5	-	-	-	11	17	10	100	
GN 40-60-M10-50-A1-*	60	M 10	50	-	2.5	-	-	2	11	17	10	107	
GN 40-60-M10-50-B0-*	60	M 10	50	6.6	2.5	-	48	-	11	17	10	107	
GN 40-60-M10-50-A3-*	60	M 10	50	-	2.5	4.5	-	-	11	17	10	120	
GN 40-60-M10-60-A0-*	60	M 10	60	-	2.5	-	-	-	11	17	10	104	
GN 40-60-M10-60-A1-*	60	M 10	60	-	2.5	-	-	2	11	17	10	100	
GN 40-60-M10-60-B0-*	60	M 10	60	6.6	2.5	-	48	-	11	17	10	112	
GN 40-60-M10-60-A3-*	60	M 10	60	-	2.5	5	-	-	11	17	10	120	
GN 40-60-M10-80-A0-*	60	M 10	80	-	2.5	-	-	-	11	17	10	114	
GN 40-60-M10-80-A1-*	60	M 10	80	-	2.5	-	-	2	11	17	10	114	
GN 40-60-M10-80-B0-*	60	M 10	80	6.6	2.5	-	48	-	11	17	10	114	
GN 40-60-M10-80-A3-*	60	M 10	80	-	2.5	5	-	-	11	17	10	130	
GN 40-60-M10-100-A0-*	60	M 10	100	-	2.5	-	-	-	11	17	10	120	
GN 40-60-M10-100-A1-*	60	M 10	100	-	2.5	-	-	2	11	17	10	125	
GN 40-60-M10-100-B0-*	60	M 10	100	6.6	2.5	-	48	-	11	17	10	120	
GN 40-60-M10-100-A3-*	60	M 10	100	-	2.5	5	-	-	11	17	10	130	
GN 40-60-M12-60-A0-*	60	M 12	60	-	2.5	-	-	-	11	17	10	121	

GN 40-S/SK

Description	d1	d2	l1	d3	h1	h6	m	s	h3	A/F ₁	Static load in kN		
GN 40-60-M12-60-A1-*	60	M 12	60	-	2.5	-	-	2	11	17	10	120	
GN 40-60-M12-60-B0-*	60	M 12	60	6.6	2.5	-	48	-	11	17	10	124	
GN 40-60-M12-60-A3-*	60	M 12	60	-	2.5	5	-	-	11	17	10	120	
GN 40-60-M12-80-A0-*	60	M 12	80	-	2.5	-	-	-	11	17	10	136	
GN 40-60-M12-80-A1-*	60	M 12	80	-	2.5	-	-	2	11	17	10	140	
GN 40-60-M12-80-B0-*	60	M 12	80	6.6	2.5	-	48	-	11	17	10	139	
GN 40-60-M12-80-A3-*	60	M 12	80	-	2.5	5	-	-	11	17	10	152	
GN 40-60-M12-100-A0-*	60	M 12	100	-	2.5	-	-	-	11	17	10	151	
GN 40-60-M12-100-A1-*	60	M 12	100	-	2.5	-	-	2	11	17	10	140	
GN 40-60-M12-100-B0-*	60	M 12	100	6.6	2.5	-	48	-	11	17	10	153	
GN 40-60-M12-100-A3-*	60	M 12	100	-	2.5	5	-	-	11	17	10	160	
GN 40-60-M12-125-A0-*	60	M 12	125	-	2.5	-	-	-	11	17	10	167	
GN 40-60-M12-125-A1-*	60	M 12	125	-	2.5	-	-	2	11	17	10	180	
GN 40-60-M12-125-B0-*	60	M 12	125	6.6	2.5	-	48	-	11	17	10	167	
GN 40-60-M12-125-A3-*	60	M 12	125	-	2.5	5	-	-	11	17	10	180	
GN 40-80-M8-40-A0-*	80	M 8	40	-	3	-	-	-	12	17	8	170	
GN 40-80-M8-40-A1-*	80	M 8	40	-	3	-	-	2	12	17	8	160	
GN 40-80-M8-40-B0-*	80	M 8	40	8.6	3	-	64	-	12	17	8	135	
GN 40-80-M8-40-A3-*	80	M 8	40	-	3	5	-	-	12	17	8	180	
GN 40-80-M8-50-A0-*	80	M 8	50	-	3	-	-	-	12	17	8	150	
GN 40-80-M8-50-A1-*	80	M 8	50	-	3	-	-	2	12	17	8	160	
GN 40-80-M8-50-B0-*	80	M 8	50	8.6	3	-	64	-	12	17	8	138	
GN 40-80-M8-50-A3-*	80	M 8	50	-	3	5	-	-	12	17	8	170	
GN 40-80-M8-63-A0-*	80	M 8	63	-	3	-	-	-	12	17	8	380	
GN 40-80-M8-63-A1-*	80	M 8	63	-	3	-	-	2	12	17	8	160	
GN 40-80-M8-63-B0-*	80	M 8	63	8.6	3	-	64	-	12	17	8	142	
GN 40-80-M8-63-A3-*	80	M 8	63	-	3	5	-	-	12	17	8	179	
GN 40-80-M10-50-A0-*	80	M 10	50	-	3	-	-	-	12	17	10	166	
GN 40-80-M10-50-A1-*	80	M 10	50	-	3	-	-	2	12	17	10	170	
GN 40-80-M10-50-B0-*	80	M 10	50	8.6	3	-	64	-	12	17	10	168	
GN 40-80-M10-50-A3-*	80	M 10	50	-	3	5	-	-	12	17	10	190	
GN 40-80-M10-60-A0-*	80	M 10	60	-	3	-	-	-	12	17	10	180	
GN 40-80-M10-60-A1-*	80	M 10	60	-	3	-	-	2	12	17	10	180	
GN 40-80-M10-60-B0-*	80	M 10	60	8.6	3	-	64	-	12	17	10	173	
GN 40-80-M10-60-A3-*	80	M 10	60	-	3	5	-	-	12	17	10	200	
GN 40-80-M10-80-A0-*	80	M 10	80	-	3	-	-	-	12	17	10	181	
GN 40-80-M10-80-A1-*	80	M 10	80	-	3	-	-	2	12	17	10	200	
GN 40-80-M10-80-B0-*	80	M 10	80	8.6	3	-	64	-	12	17	10	182	
GN 40-80-M10-80-A3-*	80	M 10	80	-	3	5	-	-	12	17	10	200	
GN 40-80-M10-100-A0-*	80	M 10	100	-	3	-	-	-	12	17	10	189	
GN 40-80-M10-100-A1-*	80	M 10	100	-	3	-	-	2	12	17	10	200	
GN 40-80-M10-100-B0-*	80	M 10	100	8.6	3	-	64	-	12	17	10	192	
GN 40-80-M10-100-A3-*	80	M 10	100	-	3	5	-	-	12	17	10	225	
GN 40-80-M12-60-A0-*	80	M 12	60	-	3	-	-	-	12	17	12	180	
GN 40-80-M12-60-A1-*	80	M 12	60	-	3	-	-	2	12	17	12	205	
GN 40-80-M12-60-B0-*	80	M 12	60	8.6	3	-	64	-	12	17	12	185	
GN 40-80-M12-60-A3-*	80	M 12	60	-	3	5	-	-	12	17	12	220	
GN 40-80-M12-80-A0-*	80	M 12	80	-	3	-	-	-	12	17	12	201	
GN 40-80-M12-80-A1-*	80	M 12	80	-	3	-	-	2	12	17	12	200	
GN 40-80-M12-80-B0-*	80	M 12	80	8.6	3	-	64	-	12	17	12	200	
GN 40-80-M12-80-A3-*	80	M 12	80	-	3	5	-	-	12	17	12	210	
GN 40-80-M12-100-A0-*	80	M 12	100	-	3	-	-	-	12	17	12	215	
GN 40-80-M12-100-A1-*	80	M 12	100	-	3	-	-	2	12	17	12	230	
GN 40-80-M12-100-B0-*	80	M 12	100	8.6	3	-	64	-	12	17	12	214	
GN 40-80-M12-100-A3-*	80	M 12	100	-	3	5	-	-	12	17	12	250	
GN 40-80-M12-125-A0-*	80	M 12	125	-	3	-	-	-	12	17	12	233	
GN 40-80													



* Complete with version of the Levelling feet (Hexagon socket at the top / Wrench at the bottom)

U without nut
UK with nut

GN 40-U/UK

Description	d1	d2	l1	d3	h1	h6	m	s	h4	A/F ₂	A/F ₃	Static load in kN	
GN 40-40-M16-75-A0-*	40	M 16	75	-	2	-	-	-	17	12	8	7	153
GN 40-40-M16-75-A1-*	40	M 16	75	-	2	-	-	1.5	17	12	8	7	157
GN 40-40-M16-75-A3-*	40	M 16	75	-	2	3.5	-	-	17	12	8	7	160
GN 40-40-M16-100-A0-*	40	M 16	100	-	2	-	-	-	17	12	8	7	192
GN 40-40-M16-100-A1-*	40	M 16	100	-	2	-	-	1.5	17	12	8	7	180
GN 40-40-M16-100-A3-*	40	M 16	100	-	2	3.5	-	-	17	12	8	7	206
GN 40-40-M16-200-A0-*	40	M 16	200	-	2	-	-	-	17	12	8	7	215
GN 40-40-M16-200-A1-*	40	M 16	200	-	2	-	-	1.5	17	12	8	7	220
GN 40-40-M16-200-A3-*	40	M 16	200	-	2	3.5	-	-	17	12	8	7	220
GN 40-40-M16-150-A0-*	40	M 16	150	-	2	-	-	-	17	12	8	7	251
GN 40-40-M16-150-A1-*	40	M 16	150	-	2	-	-	1.5	17	12	8	7	254
GN 40-40-M16-150-A3-*	40	M 16	150	-	2	3.5	-	-	17	12	8	7	260
GN 40-40-M16-200-A0-*	40	M 16	200	-	2	-	-	-	17	12	8	7	300
GN 40-40-M16-200-A1-*	40	M 16	200	-	2	-	-	1.5	17	12	8	7	300
GN 40-40-M16-200-A3-*	40	M 16	200	-	2	3.5	-	-	17	12	8	7	325
GN 40-50-M16-75-A0-*	50	M 16	75	-	2.5	-	-	-	17	12	8	8	170
GN 40-50-M16-75-A1-*	50	M 16	75	-	2.5	-	-	2	17	12	8	8	177
GN 40-50-M16-75-B0-*	50	M 16	75	6.6	2.5	-	38	-	17	12	8	8	160
GN 40-50-M16-75-A3-*	50	M 16	75	-	2.5	4	-	-	17	12	8	8	180
GN 40-50-M16-100-A0-*	50	M 16	100	-	2.5	-	-	-	17	12	8	8	205
GN 40-50-M16-100-A1-*	50	M 16	100	-	2.5	-	-	2	17	12	8	8	213
GN 40-50-M16-100-B0-*	50	M 16	100	6.6	2.5	-	38	-	17	12	8	8	172
GN 40-50-M16-100-A3-*	50	M 16	100	-	2.5	4	-	-	17	12	8	8	220
GN 40-50-M16-125-A0-*	50	M 16	125	-	2.5	-	-	-	17	12	8	8	243

GN 40-U/UK

Description	d1	d2	l1	d3	h1	h6	m	s	h4	A/F ₂	A/F ₃	Static load in kN		
GN 40-50-M16-125-A1-*	50	M 16	125	-	2.5	-	-	-	2	17	12	8	8	241
GN 40-50-M16-125-B0-*	50	M 16	125	6.6	2.5	-	38	-	17	12	8	8	8	204
GN 40-50-M16-125-A3-*	50	M 16	125	-	2.5	4	-	-	17	12	8	8	8	250
GN 40-50-M16-150-A0-*	50	M 16	150	-	2.5	-	-	-	17	12	8	8	8	268
GN 40-50-M16-150-A1-*	50	M 16	150	-	2.5	-	-	2	17	12	8	8	8	280
GN 40-50-M16-150-B0-*	50	M 16	150	6.6	2.5	-	38	-	17	12	8	8	8	236
GN 40-50-M16-150-A3-*	50	M 16	150	-	2.5	4	-	-	17	12	8	8	8	280
GN 40-50-M16-200-A0-*	50	M 16	200	-	2.5	-	-	-	17	12	8	8	8	331
GN 40-50-M16-200-A1-*	50	M 16	200	-	2.5	-	-	2	17	12	8	8	8	340
GN 40-50-M16-200-B0-*	50	M 16	200	6.6	2.5	-	38	-	17	12	8	8	8	300
GN 40-50-M16-200-A3-*	50	M 16	200	-	2.5	4	-	-	17	12	8	8	8	320
GN 40-60-M16-75-A0-*	60	M 16	75	-	2.5	-	-	-	17	12	8	10	192	
GN 40-60-M16-75-A1-*	60	M 16	75	-	2.5	-	-	2	17	12	8	10	200	
GN 40-60-M16-75-B0-*	60	M 16	75	6.6	2.5	-	48	-	17	12	8	10	157	
GN 40-60-M16-75-A3-*	60	M 16	75	-	2.5	4.5	-	-	17	12	8	10	250	
GN 40-60-M16-100-A0-*	60	M 16	100	-	2.5	-	-	-	17	12	8	10	190	
GN 40-60-M16-100-A1-*	60	M 16	100	-	2.5	-	-	2	17	12	8	10	220	
GN 40-60-M16-100-B0-*	60	M 16	100	6.6	2.5	-	48	-	17	12	8	10	189	
GN 40-60-M16-100-A3-*	60	M 16	100	-	2.5	4.5	-	-	17	12	8	10	240	
GN 40-60-M16-125-A0-*	60	M 16	125	-	2.5	-	-	-	17	12	8	10	259	
GN 40-60-M16-125-A1-*	60	M 16	125	-	2.5	-	-	2	17	12	8	10	240	
GN 40-60-M16-125-B0-*	60	M 16	125	6.6	2.5	-	48	-	17	12	8	10	221	
GN 40-60-M16-125-A3-*	60	M 16	125	-	2.5	4.5	-	-	17	12	8	10	250	
GN 40-60-M16-150-A0-*	60	M 16	150	-	2.5	-	-	-	17	12	8	10	283	
GN 40-60-M16-150-A1-*	60	M 16	150	-	2.5	-	-	2	17	12	8	10	300	

Weight Version U



Levelling elements 11

* Complete with version of the Levelling feet (Hexagon socket at the top / Wrench at the bottom)

U without nut UK with nut

GN 40-U/UK

Description	d1	d2	l1	d3	h1	h6	m	s	h4	A/FA/F			Static load in kN	
										2	3			
GN 40-60-M16-150-B0-*	60	M 16	150	6.6	2.5	-	48	-	17	12	8	10	253	
GN 40-60-M16-150-A3-*	60	M 16	150	-	2.5	4.5	-	-	17	12	8	10	300	
GN 40-60-M16-200-A0-*	60	M 16	200	-	2.5	-	-	-	17	12	8	10	348	
GN 40-60-M16-200-A1-*	60	M 16	200	-	2.5	-	-	2	17	12	8	10	340	
GN 40-60-M16-200-B0-*	60	M 16	200	6.6	2.5	-	48	-	17	12	8	10	313	
GN 40-60-M16-200-A3-*	60	M 16	200	-	2.5	4.5	-	-	17	12	8	10	360	
GN 40-80-M16-75-A0-*	80	M 16	75	-	3	-	-	-	18	12	8	12	220	
GN 40-80-M16-75-A1-*	80	M 16	75	-	3	-	-	2	18	12	8	12	220	
GN 40-80-M16-75-B0-*	80	M 16	75	8.6	3	-	64	-	18	12	8	12	218	
GN 40-80-M16-75-A3-*	80	M 16	75	-	3	5	-	-	18	12	8	12	280	
GN 40-80-M16-100-A0-*	80	M 16	100	-	3	-	-	-	18	12	8	12	270	
GN 40-80-M16-100-A1-*	80	M 16	100	-	3	-	-	2	18	12	8	12	300	
GN 40-80-M16-100-B0-*	80	M 16	100	8.6	3	-	64	-	18	12	8	12	250	
GN 40-80-M16-100-A3-*	80	M 16	100	-	3	5	-	-	18	12	8	12	320	
GN 40-80-M16-125-A0-*	80	M 16	125	-	3	-	-	-	18	12	8	12	300	
GN 40-80-M16-125-A1-*	80	M 16	125	-	3	-	-	2	18	12	8	21	331	
GN 40-80-M16-125-B0-*	80	M 16	125	8.6	3	-	64	-	18	12	8	12	282	
GN 40-80-M16-125-A3-*	80	M 16	125	-	3	5	-	-	18	12	8	21	340	
GN 40-80-M16-150-A0-*	80	M 16	150	-	3	-	-	-	18	12	8	12	320	
GN 40-80-M16-150-A1-*	80	M 16	150	-	3	-	-	2	18	12	8	12	380	
GN 40-80-M16-150-B0-*	80	M 16	150	8.6	3	-	64	-	18	12	8	12	314	
GN 40-80-M16-200-A3-*	80	M 16	200	-	3	5	-	-	18	12	8	12	380	
GN 40-80-M16-200-A0-*	80	M 16	200	-	3	-	-	-	18	12	8	12	414	
GN 40-80-M16-200-A1-*	80	M 16	200	-	3	-	-	2	18	12	8	12	400	
GN 40-80-M16-200-B0-*	80	M 16	200	8.6	3	-	64	-	18	12	8	12	374	
GN 40-80-M16-200-A3-*	80	M 16	200	-	3	5	-	-	18	12	8	12	440	
GN 40-80-M20-75-A0-*	80	M 20	75	-	3	-	-	-	19	15	10	16	347	
GN 40-80-M20-75-A1-*	80	M 20	75	-	3	-	-	2	19	15	10	16	360	
GN 40-80-M20-75-B0-*	80	M 20	75	8.6	3	-	64	-	19	15	10	16	276	
GN 40-80-M20-75-A3-*	80	M 20	75	-	3	5	-	-	19	15	10	16	360	
GN 40-80-M20-100-A0-*	80	M 20	100	-	3	-	-	-	19	15	10	16	397	
GN 40-80-M20-100-A1-*	80	M 20	100	-	3	-	-	2	19	15	10	16	400	

GN 40-U/UK

Description	d1	d2	l1	d3	h1	h6	m	s	h4	A/F A/F			Static load in kN	
										2	3			
GN 40-80-M20-100-B0-*	80	M 20	100	8.6	3	-	64	-	19	15	10	16	326	
GN 40-80-M20-100-A3-*	80	M 20	100	-	3	5	-	-	19	15	10	16	420	
GN 40-80-M20-125-A0-*	80	M 20	125	-	3	-	-	-	19	15	10	16	450	
GN 40-80-M20-125-A1-*	80	M 20	125	-	3	-	-	2	19	15	10	16	459	
GN 40-80-M20-125-B0-*	80	M 20	125	8.6	3	-	64	-	19	15	10	16	376	
GN 40-80-M20-125-A3-*	80	M 20	125	-	3	5	-	-	19	15	10	16	510	
GN 40-80-M20-150-A0-*	80	M 20	150	-	3	-	-	-	19	15	10	16	470	
GN 40-80-M20-150-A1-*	80	M 20	150	-	3	-	-	2	19	15	10	16	494	
GN 40-80-M20-150-B0-*	80	M 20	150	8.6	3	-	64	-	19	15	10	16	425	
GN 40-80-M20-150-A3-*	80	M 20	150	-	3	5	-	-	19	15	10	16	520	
GN 40-80-M20-200-A0-*	80	M 20	200	-	3	-	-	-	19	15	10	16	595	
GN 40-80-M20-200-A1-*	80	M 20	200	-	3	-	-	2	19	15	10	16	600	
GN 40-80-M20-200-B0-*	80	M 20	200	8.6	3	-	64	-	19	15	10	16	516	
GN 40-80-M20-200-A3-*	80	M 20	200	-	3	5	-	-	19	15	10	16	620	
GN 40-80-M24-100-A0-*	80	M 24	100	-	3	-	-	-	21	19	12	16	542	
GN 40-80-M24-100-A1-*	80	M 24	100	-	3	-	-	2	21	19	12	16	560	
GN 40-80-M24-100-B0-*	80	M 24	100	8.6	3	-	64	-	21	19	12	16	429	
GN 40-80-M24-100-A3-*	80	M 24	100	-	3	5	-	-	21	19	12	16	586	
GN 40-80-M24-125-A0-*	80	M 24	125	-	3	-	-	-	21	19	12	16	612	
GN 40-80-M24-125-A1-*	80	M 24	125	-	3	-	-	2	21	19	12	16	620	
GN 40-80-M24-125-B0-*	80	M 24	125	8.6	3	-	64	-	21	19	12	16	501	
GN 40-80-M24-125-A3-*	80	M 24	125	-	3	5	-	-	21	19	12	16	600	
GN 40-80-M24-150-A0-*	80	M 24	150	-	3	-	-	-	21	19	12	16	685	
GN 40-80-M24-150-A1-*	80	M 24	150	-	3	-	-	2	21	19	12	16	660	
GN 40-80-M24-150-B0-*	80	M 24	150	8.6	3	-	64	-	21	19	12	16	573	
GN 40-80-M24-150-A3-*	80	M 24	150	-	3	5	-	-	21	19	12	16	680	
GN 40-80-M24-200-A0-*	80	M 24	200	-	3	-	-	-	21	19	12	16	820	
GN 40-80-M24-200-A1-*	80	M 24	200	-	3	-	-	2	21	19	12	16	830	
GN 40-80-M24-200-B0-*	80	M 24	200	8.6	3	-	64	-	21	19	12	16	840	
GN 40-80-M24-200-A3-*	80	M 24	200	-	3	5	-	-	21	19	12	16	850	

Weight Version U