

## Foot plates

with central fastening hole

### SPECIFICATION

#### Types

- Type **A**: without rubber underlay
- Type **B**: with rubber underlay
- Type **C**: with O-ring

Steel  
plastic coated  
black, RAL 9005, textured finish

Rubber underlay, inlaid  
black, Perbunan® (NBR)  
85±5 Shore A

O-ring, inlaid  
black, Perbunan® (NBR)  
≈ 70 Shore A

### INFORMATION

Foot plates GN 37.1 are characterized by their solid construction and large variety. They are used especially on large and heavy systems and machines. The through-hole allows the machine feet to be attached centrally to the ground, making them ideal for compressive and tensile loads.

The foot plates are ideal for use with customized adjustment or compensation stems that have the spherically shaped absorption radius "r" at the contact point. DIN screws or threaded studs with chamfer or pointed nose used as an alternative reduce the load capacity due to the lack of full-surface contact.

Type B with rubber underlay prevents slipping to the side, protects delicate surfaces and dampens vibrations and tremors. Type C with O-ring provides a seal over the ground to prevent the build-up of dirt under the foot.

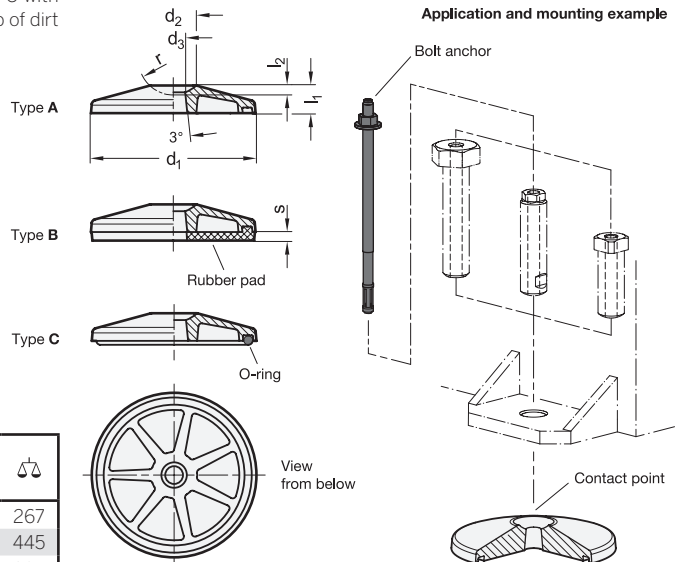


### TECHNICAL INFORMATION

- Elastomer characteristics (see page A32)

### ON REQUEST

- Zinc plated, blue passivated surface
- Surface available in other colors (plastic coating)
- other geometries at the contact point



### GN 37.1-A

Description	d1	r	d2	d3	l1 ≈	l2	Static load F in kN	⚖️
GN 37.1-80-R20-A	80	R20	25.5	11	15	4.6	80	267
GN 37.1-100-R20-A	100	R20	25.5	13	17.5	4.6	80	445
GN 37.1-125-R25-A	125	R25	32	16	21	5.8	130	835
GN 37.1-160-R30-A	160	R30	38.5	20.5	27	7	180	1704
GN 37.1-200-R35-A	200	R35	45	25.5	33	7.9	230	3255

### GN 37.1-B

Description	d1	r	d2	d3	l1 ≈	l2	s	Static load F in kN	⚖️
GN 37.1-80-R20-B	80	R20	25.5	11	15	4.6	3	20	287
GN 37.1-100-R20-B	100	R20	25.5	13	17.5	4.6	4	30	489
GN 37.1-125-R25-B	125	R25	32	16	21	5.8	5	50	917
GN 37.1-160-R30-B	160	R30	38.5	20.5	27	7	6	70	1868
GN 37.1-200-R35-B	200	R35	45	25.5	33	7.9	8	110	3581

### GN 37.1-C

Description	d1	r	d2	d3	l1 ≈	l2	Static load F in kN	⚖️
GN 37.1-80-R20-C	80	R20	25.5	11	15	4.6	80	270
GN 37.1-100-R20-C	100	R20	25.5	13	17.5	4.6	80	452
GN 37.1-125-R25-C	125	R25	32	16	21	5.8	130	845
GN 37.1-160-R30-C	160	R30	38.5	20.5	27	7	180	1725
GN 37.1-200-R35-C	200	R35	45	25.5	33	7.9	230	3282