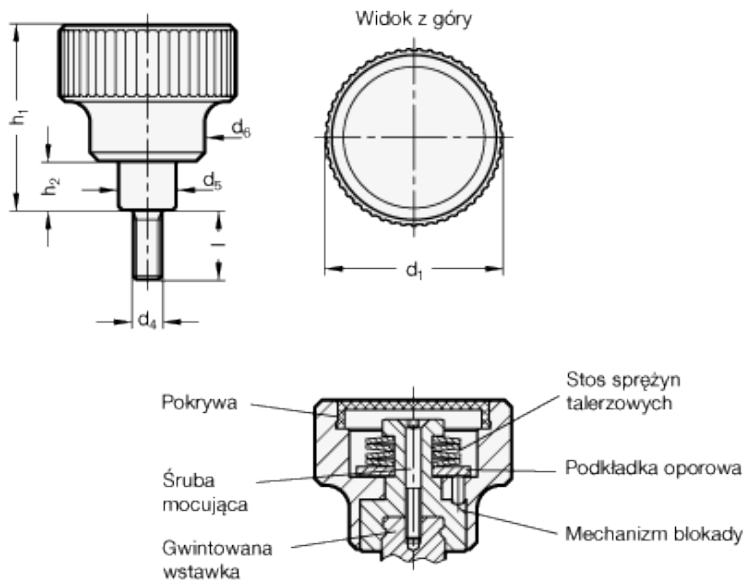


GN 3663

Torque knurled knob screws



technical informations

Specification

Knob
Aluminium
black anodized

Torque mechanism
Steel, hardened

Other parts
Steel, blackened

Cover cap
Plastic, light grey

Information

Torque knurled screws GN 3663 are used when the manually applied torque is to be limited.

When turned clockwise, the torque mechanical system of the knurled knob triggers an „over-engagement“ as soon as the specified torque is reached. When turning anti-clockwise, the mechanical system locks such that the torque is not limited. When tightening, this will ensure that the maximum permissible torque is not exceeded. On the other hand, the torque necessary for releasing will always be transferred reliably.

After removing the cover and loosening the countersunk screw, the thread or bore insert can be dismantled.

On request

- Other dimensions for d4 Length l and d3
- Other torques
- Torque limiting turning anti-clockwise or turning anti-clockwise and clockwise

Standard Elements	Main dimensions								Weight
Description	d ₁	d ₄	l	d ₅	d ₆	h ₁	h ₂	Torque ±10% in Nm	g
GN 3663-27-M4-12-0.7	27	M4	12	10	19	35	9.5	0.7	-
GN 3663-27-M4-12-1	27	M4	12	10	19	35	9.5	1	-
GN 3663-27-M4-12-1.5	27	M4	12	10	19	35	9.5	1.5	-
GN 3663-27-M4-16-0.7	27	M4	16	10	19	35	9.5	0.7	-
GN 3663-27-M4-16-1	27	M4	16	10	19	35	9.5	1	-
GN 3663-27-M4-16-1.5	27	M4	16	10	19	35	9.5	1.5	-
GN 3663-27-M4-20-0.7	27	M4	20	10	19	35	9.5	0.7	-
GN 3663-27-M4-20-1	27	M4	20	10	19	35	9.5	1	-
GN 3663-27-M4-20-1.5	27	M4	20	10	19	35	9.5	1.5	-
GN 3663-27-M4-25-0.7	27	M4	25	10	19	35	9.5	0.7	-
GN 3663-27-M4-25-1	27	M4	25	10	19	35	9.5	1	-
GN 3663-27-M4-25-1.5	27	M4	25	10	19	35	9.5	1.5	-
GN 3663-27-M4-32-0.7	27	M4	32	10	19	35	9.5	0.7	-
GN 3663-27-M4-32-1	27	M4	32	10	19	35	9.5	1	-
GN 3663-27-M4-32-1.5	27	M4	32	10	19	35	9.5	1.5	-
GN 3663-27-M5-12-0.7	27	M5	12	10	19	35	9.5	0.7	-
GN 3663-27-M5-12-1	27	M5	12	10	19	35	9.5	1	-
GN 3663-27-M5-12-1.5	27	M5	12	10	19	35	9.5	1.5	-
GN 3663-27-M5-16-0.7	27	M5	16	10	19	35	9.5	0.7	-
GN 3663-27-M5-16-1	27	M5	16	10	19	35	9.5	1	-
GN 3663-27-M5-16-1.5	27	M5	16	10	19	35	9.5	1.5	-
GN 3663-27-M5-20-0.7	27	M5	20	10	19	35	9.5	0.7	-
GN 3663-27-M5-20-1	27	M5	20	10	19	35	9.5	1	-
GN 3663-27-M5-20-1.5	27	M5	20	10	19	35	9.5	1.5	-
GN 3663-27-M5-25-0.7	27	M5	25	10	19	35	9.5	0.7	-
GN 3663-27-M5-25-1	27	M5	25	10	19	35	9.5	1	-
GN 3663-27-M5-25-1.5	27	M5	25	10	19	35	9.5	1.5	-
GN 3663-27-M5-32-0.7	27	M5	32	10	19	35	9.5	0.7	-
GN 3663-27-M5-32-1	27	M5	32	10	19	35	9.5	1	-
GN 3663-27-M5-32-1.5	27	M5	32	10	19	35	9.5	1.5	-
GN 3663-34-M5-12-1	34	M5	12	10	21	37.5	9.5	1	-
GN 3663-34-M5-12-1.5	34	M5	12	10	21	37.5	9.5	1.5	-
GN 3663-34-M5-12-2.2	34	M5	12	10	21	37.5	9.5	2.2	-

GN 3663-34-M5-16-1	34	M5	16	10	21	37.5	9.5	1	-
GN 3663-34-M5-16-1.5	34	M5	16	10	21	37.5	9.5	1.5	-
GN 3663-34-M5-16-2.2	34	M5	16	10	21	37.5	9.5	2.2	-
GN 3663-34-M5-20-1	34	M5	20	10	21	37.5	9.5	1	-
GN 3663-34-M5-20-1.5	34	M5	10	10	21	37.5	9.5	1.5	-
GN 3663-34-M5-20-2.2	34	M5	20	10	21	37.5	9.5	2.2	-
GN 3663-34-M5-25-1	34	M5	25	10	21	37.5	9.5	1	-
GN 3663-34-M5-25-1.5	34	M5	25	10	21	37.5	9.5	1.5	-
GN 3663-34-M5-25-2.2	34	M5	25	10	21	37.5	9.5	2.2	-
GN 3663-34-M5-32-1	34	M5	32	10	21	37.5	9.5	1	-
GN 3663-34-M5-32-1.5	32	M5	32	10	21	37.5	9.5	1.5	-
GN 3663-34-M5-32-2.2	34	M5	32	10	21	37.5	9.5	2.2	-
GN 3663-34-M6-12-1	34	M6	12	10	21	37.5	9.5	1	-
GN 3663-34-M6-12-1.5	34	M6	12	10	21	37.5	9.5	1.5	-
GN 3663-34-M6-12-2.2	34	M6	12	10	21	37.5	9.5	2.2	-
GN 3663-34-M6-16-1	34	M6	16	10	21	37.5	9.5	1	-
GN 3663-34-M6-16-1.5	34	M6	16	10	21	37.5	9.5	1.5	-
GN 3663-34-M6-16-2.2	34	M6	16	10	21	37.5	9.5	2.2	-
GN 3663-34-M6-20-1	34	M6	20	10	21	37.5	9.5	1	-
GN 3663-34-M6-20-1.5	34	M6	20	10	21	37.5	9.5	1.5	-
GN 3663-34-M6-20-2.2	34	M6	20	10	21	37.5	9.5	2.2	-
GN 3663-34-M6-25-1	34	M6	25	10	21	37.5	9.5	1	-
GN 3663-34-M6-25-1.5	34	M6	25	10	21	37.5	9.5	1.5	-
GN 3663-34-M6-25-2.2	34	M6	25	10	21	37.5	9.5	2.2	-
GN 3663-34-M6-32-1	34	M6	32	10	21	37.5	9.5	1	-
GN 3663-34-M6-32-1.5	34	M6	32	10	21	37.5	9.5	1.5	-
GN 3663-34-M6-32-2.2	34	M6	32	10	21	37.5	9.5	2.2	-
GN 3663-42-M8-16-2	42	M8	16	13.5	27	43.5	11.5	2	-
GN 3663-42-M8-16-2.5	42	M8	16	13.5	27	43.5	11.5	2.5	-
GN 3663-42-M8-16-3.2	42	M8	16	13.5	27	43.5	11.5	3.2	-
GN 3663-42-M8-20-2	42	M8	20	13.5	27	43.5	11.5	2	-
GN 3663-42-M8-20-2.5	42	M8	20	13.5	27	43.5	11.5	2.5	-
GN 3663-42-M8-20-3.2	42	M8	20	13.5	27	43.5	11.5	3.2	-
GN 3663-42-M8-25-2	42	M8	25	13.5	27	43.5	11.5	2	-
GN 3663-42-M8-25-2.5	42	M8	25	13.5	27	43.5	11.5	2.5	-
GN 3663-42-M8-25-3.2	42	M8	25	13.5	27	43.5	11.5	3.2	-
GN 3663-42-M8-32-2	42	M8	32	13.5	27	43.5	11.5	2	-
GN 3663-42-M8-32-2.5	42	M8	32	13.5	27	43.5	11.5	2.5	-
GN 3663-42-M8-32-3.2	42	M8	32	13.5	27	43.5	11.5	3.2	-
GN 3663-42-M8-40-2	42	M8	40	13.5	27	43.5	11.5	2	-
GN 3663-42-M8-40-2.5	42	M8	40	13.5	27	43.5	11.5	2.5	-
GN 3663-42-M8-40-3.2	42	M8	40	13.5	27	43.5	11.5	3.2	-
GN 3663-42-M10-20-2	42	M10	20	13.5	27	43.5	11.5	2	-
GN 3663-42-M10-20-2.5	42	M10	20	13.5	27	43.5	11.5	2.5	-
GN 3663-42-M10-20-3.2	42	M10	20	13.5	27	43.5	11.5	3.2	-

GN 3663-42-M10-25-2	42	M10	25	13.5	27	43.5	11.5	2	-
GN 3663-42-M10-25-2.5	42	M10	25	13.5	27	43.5	11.5	2.5	-
GN 3663-42-M10-25-3.2	42	M10	25	13.5	27	43.5	11.5	3.2	-
GN 3663-42-M10-32-2	42	M10	32	13.5	27	43.5	11.5	2	-
GN 3663-42-M10-32-2.5	42	M10	32	13.5	27	43.5	11.5	2.5	-
GN 3663-42-M10-32-3.2	42	M10	32	13.5	27	43.5	11.5	3.2	-
GN 3663-42-M10-40-2	42	M10	40	13.5	27	43.5	11.5	2	-
GN 3663-42-M10-40-2.5	42	M10	40	13.5	27	43.5	11.5	2.5	-
GN 3663-42-M10-40-3.2	42	M10	40	13.5	27	43.5	11.5	3.2	-
GN 3663-42-M10-50-2	42	M10	50	13.5	27	43.5	11.5	2	-
GN 3663-42-M10-50-2.5	42	M10	50	13.5	27	43.5	11.5	2.5	-
GN 3663-42-M10-50-3.2	42	M10	50	13.5	27	43.5	11.5	3.2	-
GN 3663-52-M10-25-2.5	52	M10	25	19	32	54	15.5	2.5	-
GN 3663-52-M10-25-3	52	M10	25	19	32	54	15.5	3	-
GN 3663-52-M10-25-4	52	M10	25	19	32	54	15.5	4	-
GN 3663-52-M10-32-2.5	52	M10	32	19	32	54	15.5	2.5	-
GN 3663-52-M10-32-3	52	M10	32	19	32	54	15.5	3	-
GN 3663-52-M10-32-4	52	M10	32	19	32	54	15.5	4	-
GN 3663-52-M10-40-2.5	52	M10	40	19	32	54	15.5	2.5	-
GN 3663-52-M10-40-3	52	M10	40	19	32	54	15.5	3	-
GN 3663-52-M10-40-4	52	M10	40	19	32	54	15.5	4	-
GN 3663-52-M10-50-2.5	52	M10	50	19	32	54	15.5	2.5	-
GN 3663-52-M10-50-3	52	M10	50	19	32	54	15.5	3	-
GN 3663-52-M10-50-4	52	M10	50	19	32	54	15.5	4	-
GN 3663-52-M10-63-2.5	52	M10	63	19	32	54	15.5	2.5	-
GN 3663-52-M10-63-3	52	M10	63	19	32	54	15.5	3	-
GN 3663-52-M10-63-4	52	M10	63	19	32	54	15.5	4	-
GN 3663-52-M12-25-2.5	52	M12	25	19	32	54	15.5	2.5	-
GN 3663-52-M12-25-3	52	M12	25	19	32	54	15.5	3	-
GN 3663-52-M12-25-4	52	M12	25	19	32	54	15.5	4	-
GN 3663-52-M12-32-2.5	52	M12	32	19	32	54	15.5	2.5	-
GN 3663-52-M12-32-3	52	M12	32	19	32	54	15.5	3	-
GN 3663-52-M12-32-4	52	M12	32	19	32	54	15.5	4	-
GN 3663-52-M12-40-2.5	52	M12	40	19	32	54	15.5	2.5	-
GN 3663-52-M12-40-3	52	M12	40	19	32	54	15.5	3	-
GN 3663-52-M12-40-4	52	M12	40	19	32	54	15.5	4	-
GN 3663-52-M12-50-2.5	52	M12	50	19	32	54	15.5	2.5	-
GN 3663-52-M12-50-3	52	M12	50	19	32	54	15.5	3	-
GN 3663-52-M12-50-4	52	M12	50	19	32	54	15.5	4	-
GN 3663-52-M12-63-2.5	52	M12	63	19	32	54	15.5	2.5	-
GN 3663-52-M12-63-3	52	M12	63	19	32	54	15.5	3	-
GN 3663-52-M12-63-4	52	M12	63	19	32	54	15.5	4	-
GN 3663-62-M10-25-3	62	M10	25	19	33	54	15.5	3	-
GN 3663-62-M10-25-4	62	M10	25	19	33	54	15.5	4	-

GN 3663-62-M10-25-5.5	62	M10	25	19	33	54	15.5	5.5	-
GN 3663-62-M10-32-3	62	M10	32	19	33	54	15.5	3	-
GN 3663-62-M10-32-4	62	M10	32	19	33	54	15.5	4	-
GN 3663-62-M10-32-5.5	62	M10	32	19	33	54	15.5	5.5	-
GN 3663-62-M10-40-3	62	M10	40	19	33	54	15.5	3	-
GN 3663-62-M10-40-4	62	M10	40	19	33	54	15.5	4	-
GN 3663-62-M10-40-5.5	62	M10	40	19	33	54	15.5	5.5	-
GN 3663-62-M10-50-3	62	M10	50	19	33	54	15.5	3	-
GN 3663-62-M10-50-4	62	M10	50	19	33	54	15.5	4	-
GN 3663-62-M10-50-5.5	62	M10	50	19	33	54	15.5	5.5	-
GN 3663-62-M10-63-3	62	M10	63	19	33	54	15.5	3	-
GN 3663-62-M10-63-4	62	M10	63	19	33	54	15.5	4	-
GN 3663-62-M10-63-5.5	62	M10	63	19	33	54	15.5	5.5	-
GN 3663-62-M12-63-3	62	M12	25	19	33	54	15.5	3	-
GN 3663-62-M12-63-4	62	M12	25	19	33	54	15.5	4	-
GN 3663-62-M12-63-5.5	62	M12	25	19	33	54	15.5	5.5	-
GN 3663-62-M12-32-3	62	M12	32	19	33	54	15.5	3	-
GN 3663-62-M12-32-4	62	M12	32	19	33	54	15.5	4	-
GN 3663-62-M12-32-5.5	62	M12	32	19	33	54	15.5	5.5	-
GN 3663-62-M12-40-3	62	M12	40	19	33	54	15.5	3	-
GN 3663-62-M12-40-4	62	M12	40	19	33	54	15.5	4	-
GN 3663-62-M12-40-5.5	62	M12	40	19	33	54	15.5	5.5	-
GN 3663-62-M12-50-3	62	M12	50	19	33	54	15.5	3	-
GN 3663-62-M12-50-4	62	M12	50	19	33	54	15.5	4	-
GN 3663-62-M12-50-5.5	62	M12	50	19	33	54	15.5	5.5	-
GN 3663-62-M12-63-3	62	M12	63	19	33	54	15.5	3	-
GN 3663-62-M12-63-4	62	M12	63	19	33	54	15.5	4	-
GN 3663-62-M12-63-5.5	62	M12	63	19	33	54	15.5	5.5	-



STANDARD MACHINE ELEMENTS WORLDWIDE