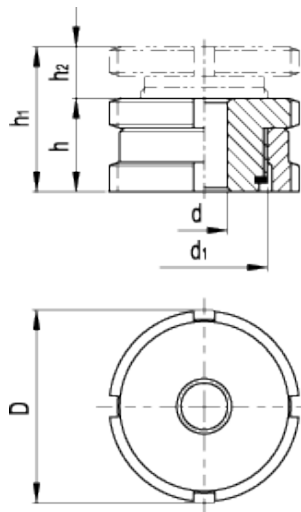


# GN 350.1

Levelling sets



## technical informations

### Material

Zinc-plated steel.

$F_1$ : max. total load.

$F_2$ : max. load after deduction of the max. preload for screws 8.8,  $\mu = 0,125$ .

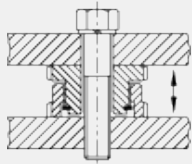
### Standard executions available

Version A: without locknut.

### Applications

Levelling sets GN 350.1 are used for levelling, adjusting and linking operations if small dimensions are given. They comprise a threaded upper sleeve and a female threaded lower sleeve. The fine thread allows a stepless and precise setting and locking using the C-Spanner DIN 1810. An anti-rotation disc serves as a height limiter for the max. height.

Application example



Standard Elements	Main dimensions						for screw	Static load		Weight g	C-Spanner DIN 1810
	Description	D	d	d <sub>1</sub>	h	h <sub>1</sub>		h <sub>2</sub>	Max. load F <sub>1</sub> [kN]		
GN 350.1-25-6.6-A-ST	25	6.6	M15x1	15	19	4	M6	40	30.7	43	A25-28
GN 350.1-32-6.6-A-ST	32	6.6	M20x1	18	23	5	M6	65	55.7	93	A30-32
GN 350.1-32-9-A-ST	32	9	M20x1	18	23	5	M8	65	48	87	A30-32
GN 350.1-32-11-A-ST	32	11	M20x1	18	23	5	M10	65	37.9	83	A30-32
GN 350.1-45-11-A-ST	45	11	M30x1	22	29	7	M10	120	92.9	216	A45-50
GN 350.1-45-13.5-A-ST	45	13.5	M30x1	22	29	7	M12	120	80.4	207	A45-50
GN 350.1-45-17.5-A-ST	45	17.5	M30x1	22	29	7	M16	120	45.5	188	A45-50
GN 350.1-58-17.5-A-ST	58	17.5	M40x1	28	37	9	M16	210	136	450	A58-62
GN 350.1-58-22-A-ST	58	22	M40x1	28	37	9	M20	210	90	418	A58-62
GN 350.1-58-26-A-ST	58	26	M40x1	28	37	9	M24	210	37	386	A58-62
GN 350.1-70-22-A-ST	70	22	M50x1.5	33	43	10	M20	330	210	788	A68-75
GN 350.1-70-26-A-ST	70	26	M50x1.5	33	43	10	M24	330	157	744	A68-75
GN 350.1-70-33-A-ST	70	33	M50x1.5	33	43	10	M30	330	53	668	A68-75
GN 350.1-80-26-A-ST	80	26	M60x2	38	50	12	M24	495	322	1135	A80-90
GN 350.1-80-33-A-ST	80	33	M60x2	38	50	12	M30	495	218	1060	A80-90
GN 350.1-80-39-A-ST	80	39	M60x2	38	50	12	M36	495	101	965	A80-90



STANDARD MACHINE ELEMENTS WORLDWIDE