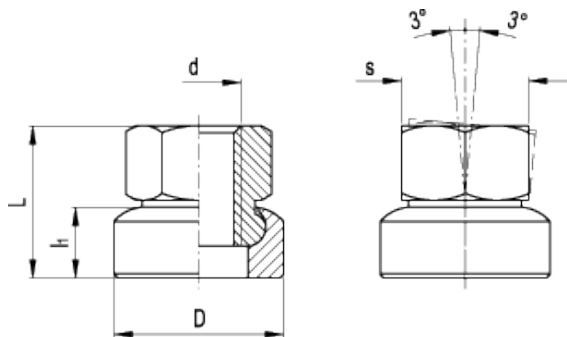


GN 347

Hexagon nuts with levelling base



technical informations

Base

Black-oxide steel.

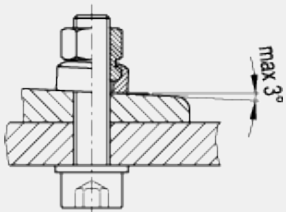
Nut

Black-oxide steel.

Features and applications

GN 347 hexagon nuts with ball socket can be used to clamp slanting surfaces up to 3° without transmitting the nut rotation to the clamped surface.

Application example



Standard Elements	Main dimensions					Weight
Description	D	d	L	l ₁	s	g
GN 347-17-M8	17	M8	14	7.5	13	12
GN 347-21-M10	21	M10	17.5	8	16	24
GN 347-24-M12	24	M12	21.5	11	18	37
GN 347-30-M16	30	M16	28	12.5	24	75
GN 347-36-M20	36	M20	35	16	30	140
GN 347-44-M24	44	M24	42.5	20.5	36	261



STANDARD MACHINE ELEMENTS WORLDWIDE