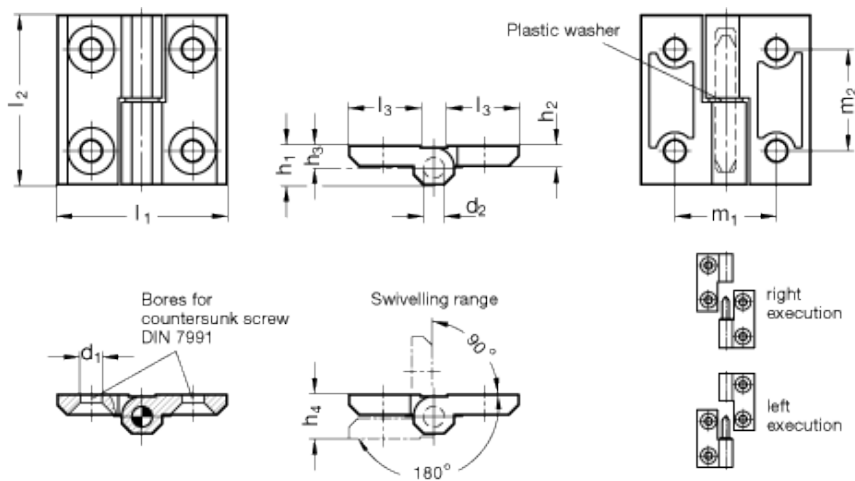


GN 337

Hinges



INOX
Stainless Steel



technical informations

Material

AISI CF-8 Stainless Steel NI, matte finish.

Finish

Version GS: sand-blasted, matte finish.

Rotation pin

AISI 303 stainless steel.

- Identification no. 1: fixed bearing (pin) right.
- Identification no. 2: fixed bearing (pin) left.

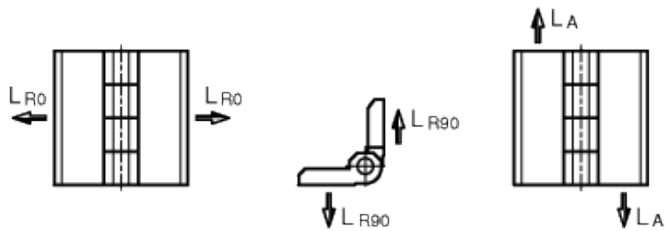
Assembly

Version A: two couples of through holes for countersunk-head screws.

Rotation angle

Max. 270°, between 0° and -90° and between 0° and 180°.

Standard Elements	Main dimensions											Weight
	Description	l_1	l_2	d_1	d_2	h_1	h_2	h_3	$h_{4+0.5}$	l_3	m_1	
GN 337-NI-40-40-A-1-GS	40	40	5.3	4	9	5	5.5	11	16	25	25	40
GN 337-NI-40-40-A-2-GS	40	40	5.3	4	9	5	5.5	11	16	25	25	41
GN 337-NI-50-50-A-1-GS	50	50	6.4	6	11.5	6	6.5	13	21	30	30	80
GN 337-NI-50-50-A-2-GS	50	50	6.4	6	11.5	6	6.5	13	21	30	30	83
GN 337-NI-60-60-A-1-GS	60	60	8.3	8	15	8	8.5	17	26	36	36	153
GN 337-NI-60-60-A-2-GS	60	60	8.3	8	15	8	8.5	17	26	36	36	156



Standard Elements	Radial load in N		Axial load in N
	Description	L_{R0}	L_{R90}
GN 337-NI-40-40-A-GS	3000	3500	2000
GN 337-NI-50-50-A-GS	5000	3500	2500
GN 337-NI-60-60-A-GS	6000	6000	5000



STANDARD MACHINE ELEMENTS WORLDWIDE