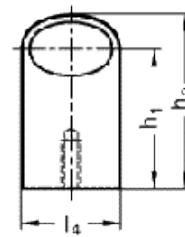
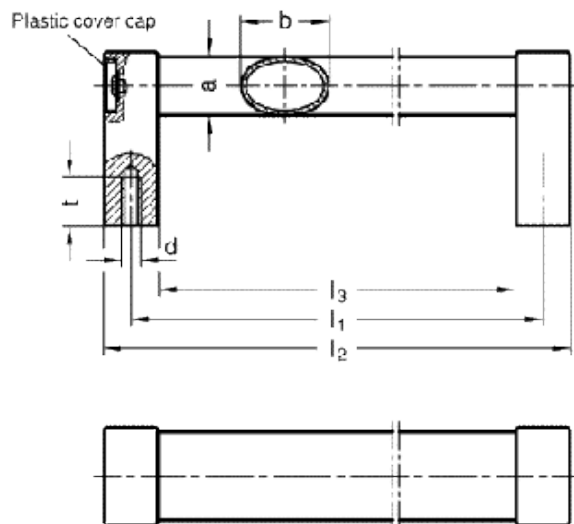


GN 334

Oval tubular handles



technical informations

Material

Tube: Aluminium

Handle shanks: Die-cast zinc alloy

Finish

Version SW:

- Tube: RAL 9005 black colour, matte finish, epoxy resin coating
- Handle shanks: RAL 9005 black colour, matte finish, epoxy resin coating

Version EL:

- Tube: anodised, natural colour
- Handle shanks: RAL 9005 black colour, matte finish, epoxy resin coating

Version ES:

- Tube: anodised, natural colour
- Handle shanks: silver RAL 9006, matte finish

End caps

Polyamide based (PA) technopolymer, light grey colour.
Resistant to solvents, oils, greases and other chemical agents.

Special executions on request (For sufficient quantities)

Different lengths.

Features and applications

Oval tubular handles GN 334 are attractive in design and highly stable.
The tube and the shank are interlocked and the mounting screws are covered.

Standard Elements	Main dimensions								Mounting holes		Weight
Description	b	l ₁	a	h ₁	h ₂	l ₂	l ₃	l ₄	d	t _{min.}	g
GN 334-36-200-SW	36	200	24	57	71	222	178	40	M8	15	490
GN 334-36-200-EL	36	200	24	57	71	222	178	40	M8	15	490
GN 334-36-200-ES	36	200	24	57	71	222	178	40	M8	15	490
GN 334-36-250-SW	36	250	24	57	71	272	228	40	M8	15	540
GN 334-36-250-EL	36	250	24	57	71	272	228	40	M8	15	540
GN 334-36-250-ES	36	250	24	57	71	272	228	40	M8	15	540
GN 334-36-300-SW	36	300	24	57	71	322	278	40	M8	15	563
GN 334-36-300-EL	36	300	24	57	71	322	278	40	M8	15	563
GN 334-36-300-ES	36	300	24	57	71	322	278	40	M8	15	563
GN 334-36-350-SW	36	350	24	57	71	372	328	40	M8	15	590
Gn 334-36-350-EL	36	350	24	57	71	372	328	40	M8	15	590
Gn 334-36-350-ES	36	350	24	57	71	372	328	40	M8	15	590
GN 334-36-400-SW	36	400	24	57	71	422	378	40	M8	15	650
GN 334-36-400-EL	36	400	24	57	71	422	378	40	M8	15	650
GN 334-36-400-ES	36	400	24	57	71	422	378	40	M8	15	650
GN 334-36-500-SW	36	500	24	57	71	522	478	40	M8	15	720
GN 334-36-500-EL	36	500	24	57	71	522	478	40	M8	15	720
GN 334-36-500-ES	36	500	24	57	71	522	478	40	M8	15	720
GN 334-36-600-SW	36	600	24	57	71	622	578	40	M8	15	791
GN 334-36-600-EL	36	600	24	57	71	622	578	40	M8	15	791
GN 334-36-600-ES	36	600	24	57	71	622	578	40	M8	15	791
GN 334-36-800-SW	36	800	24	57	71	822	778	40	M8	15	940
GN 334-36-800-EL	36	800	24	57	71	822	778	40	M8	15	940
GN 334-36-800-ES	36	800	24	57	71	822	778	40	M8	15	940



ELESA and GANTER models all rights reserved in accordance with the law. Always mention the source when reproducing our drawings.

STANDARD MACHINE ELEMENTS WORLDWIDE