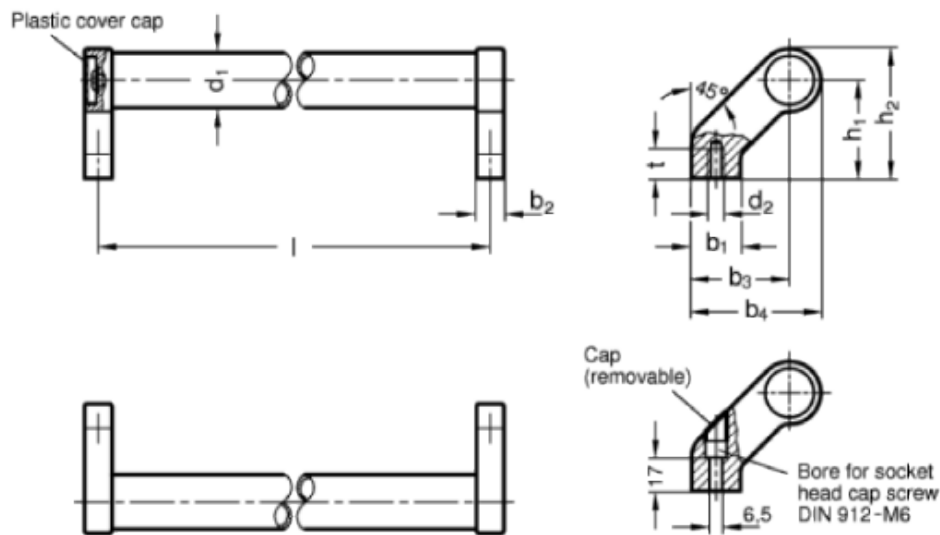


GN 333

Inclined tubular handles



technical informations

Tube

Aluminium, wall thickness 1.5 mm.

Handle shanks

Die-cast zinc alloy, RAL 9005 black colour, matte finish, epoxy resin coating, fitted to the tube by means of a screw.

Tube end caps

Polyamide based (PA) technopolymer.

Finish

- Version SW:

Tube / Handle shanks: RAL 9005 black colour, matte finish, epoxy resin coating

- Version EL:

- Tube: anodised, natural colour

- Handle shanks: RAL 9005 black colour, matte finish, epoxy resin coating.

Version ES:

- Tube: anodised, natural colour

- Handle shanks: RAL 9006 silver colour, matte finish epoxy resin coating.

Assembly

- Type A: back mounting, tapped blind holes.

- Type B: front mounting, through holes for cylindrical-head screws with hexagon socket, DIN 912-M6.

Special executions on request (For sufficient quantities)

Different lengths.

Features and applications

GN 333 inclined tubular handles are characterised by a high stability thanks to the assembly of the handle shanks to the tube by means of two screws.

These handles are typically used on turning or rolling doors for machines and equipment.

Standard Elements	Main dimensions							Mounting holes			Weight
Description	$l \pm 0.25$	h_1	h_2	b_1	b_2	b_3	b_4	d_1	d_2	$t_{min.}$	g
GN 333-20-180-A-SW	180	42	54	24	12	42	54	20	M6	12	242
GN 333-20-180-A-EL	180	42	54	24	12	42	54	20	M6	12	242
GN 333-20-180-A-ES	180	42	54	24	12	42	54	20	M6	12	242
GN 333-20-200-A-SW	200	42	54	24	12	42	54	20	M6	12	246
GN 333-20-200-A-EL	200	42	54	24	12	42	54	20	M6	12	246
GN 333-20-200-A-ES	200	42	54	24	12	42	54	20	M6	12	246
GN 333-20-250-A-SW	250	42	54	24	12	42	54	20	M6	12	265
GN 333-20-250-A-EL	250	42	54	24	12	42	54	20	M6	12	265
GN 333-20-250-A-ES	250	42	54	24	12	42	54	20	M6	12	265
GN 333-20-300-A-SW	300	42	54	24	12	42	54	20	M6	12	283
GN 333-20-300-A-EL	300	42	54	24	12	42	54	20	M6	12	283
GN 333-20-300-A-ES	300	42	54	24	12	42	54	20	M6	12	283
GN 333-20-350-A-SW	350	42	54	24	12	42	54	20	M6	12	302
GN 333-20-350-A-EL	350	42	54	24	12	42	54	20	M6	12	302
GN 333-20-350-A-ES	350	42	54	24	12	42	54	20	M6	12	302
GN 333-20-400-A-SW	400	42	54	24	12	42	54	20	M6	12	321
GN 333-20-400-A-EL	400	42	54	24	12	42	54	20	M6	12	321
GN 333-20-400-A-ES	400	42	54	24	12	42	54	20	M6	12	321
GN 333-28-200-A-SW	200	50	66	25	14	50	66	28	M8	15	432
GN 333-28-200-A-EL	200	50	66	25	14	50	66	28	M8	15	432
GN 333-28-200-A-ES	200	50	66	25	14	50	66	28	M8	15	432
GN 333-28-250-A-SW	250	50	66	25	14	50	66	28	M8	15	455
GN 333-28-250-A-EL	250	50	66	25	14	50	66	28	M8	15	455
GN 333-28-250-A-ES	250	50	66	25	14	50	66	28	M8	15	455
GN 333-28-300-A-SW	300	50	66	25	14	50	66	28	M8	15	470
GN 333-28-300-A-EL	300	50	66	25	14	50	66	28	M8	15	470
GN 333-28-300-A-ES	300	50	66	25	14	50	66	28	M8	15	470

GN 333-28-350-A-SW	350	50	66	25	14	50	66	28	M8	15	490
GN 333-28-350-A-EL	350	50	66	25	14	50	66	28	M8	15	490
GN 333-28-350-A-ES	350	50	66	25	14	50	66	28	M8	15	490
GN 333-28-400-A-SW	400	50	66	25	14	50	66	28	M8	15	500
GN 333-28-400-A-EL	400	50	66	25	14	50	66	28	M8	15	500
GN 333-28-400-A-ES	400	50	66	25	14	50	66	28	M8	15	500
GN 333-28-500-A-SW	500	50	66	25	14	50	66	28	M8	15	535
GN 333-28-500-A-EL	500	50	66	25	14	50	66	28	M8	15	535
GN 333-28-500-A-ES	500	50	66	25	14	50	66	28	M8	15	535
GN 333-28-600-A-SW	600	50	66	25	14	50	66	28	M8	15	620
GN 333-28-600-A-EL	600	50	66	25	14	50	66	28	M8	15	620
GN 333-28-600-A-ES	600	50	66	25	14	50	66	28	M8	15	620
GN 333-30-200-A-SW	200	51	68	27	17	51	68	30	M8	15	430
GN 333-30-200-A-EL	200	51	68	27	17	51	68	30	M8	15	430
GN 333-30-200-A-ES	200	51	68	27	17	51	68	30	M8	15	430
GN 333-30-300-A-SW	300	51	68	27	17	51	68	30	M8	15	480
GN 333-30-300-A-EL	300	51	68	27	17	51	68	30	M8	15	480
GN 333-30-300-A-ES	300	51	68	27	17	51	68	30	M8	15	480
GN 333-30-350-A-SW	350	51	68	27	17	51	68	30	M8	15	520
GN 333-30-350-A-EL	350	51	68	27	17	51	68	30	M8	15	520
GN 333-30-350-A-ES	350	51	68	27	17	51	68	30	M8	15	520
GN 333-30-400-A-SW	400	51	68	27	17	51	68	30	M8	15	650
GN 333-30-400-A-EL	400	51	68	27	17	51	68	30	M8	15	650
GN 333-30-400-A-ES	400	51	68	27	17	51	68	30	M8	15	650
GN 333-30-500-A-SW	500	51	68	27	17	51	68	30	M8	15	680
GN 333-30-500-A-EL	500	51	68	27	17	51	68	30	M8	15	680
GN 333-30-500-A-ES	500	51	68	27	17	51	68	30	M8	15	680
GN 333-30-600-A-SW	600	51	68	27	17	51	68	30	M8	15	790
GN 333-30-600-A-EL	600	51	68	27	17	51	68	30	M8	15	790
GN 333-30-600-A-ES	600	51	68	27	17	51	68	30	M8	15	790
GN 333-30-1000-A-SW	1000	51	68	27	17	51	68	30	M8	15	920
GN 333-30-1000-A-EL	1000	51	68	27	17	51	68	30	M8	15	920
GN 333-30-1000-A-ES	1000	51	68	27	17	51	68	30	M8	15	920
GN 333-28-200-B-SW	200	50	66	25	14	50	66	28	-	-	420
GN 333-28-200-B-EL	200	50	66	25	14	50	66	28	-	-	420
GN 333-28-200-B-ES	200	50	66	25	14	50	66	28	-	-	420
GN 333-28-250-B-SW	250	50	66	25	14	50	66	28	-	-	450
GN 333-28-250-B-EL	250	50	66	25	14	50	66	28	-	-	450
GN 333-28-250-B-ES	250	50	66	25	14	50	66	28	-	-	450
GN 333-28-300-B-SW	300	50	66	25	14	50	66	28	-	-	470
GN 333-28-300-B-EL	300	50	66	25	14	50	66	28	-	-	470
GN 333-28-300-B-ES	300	50	66	25	14	50	66	28	-	-	470
GN 333-28-350-B-SW	350	50	66	25	14	50	66	28	-	-	480
GN 333-28-350-B-EL	350	50	66	25	14	50	66	28	-	-	480
GN 333-28-350-B-ES	350	50	66	25	14	50	66	28	-	-	480

GN 333-28-400-B-SW	400	50	66	25	14	50	66	28	-	-	478
GN 333-28-400-B-EL	400	50	66	25	14	50	66	28	-	-	478
GN 333-28-400-B-ES	400	50	66	25	14	50	66	28	-	-	478
GN 333-28-500-B-SW	500	50	66	25	14	50	66	28	-	-	520
GN 333-28-500-B-EL	500	50	66	25	14	50	66	28	-	-	520
GN 333-28-500-B-ES	500	50	66	25	14	50	66	28	-	-	520
GN 333-28-600-B-SW	600	50	66	25	14	50	66	28	-	-	590
GN 333-28-600-B-EL	600	50	66	25	14	50	66	28	-	-	590
GN 333-28-600-B-ES	600	50	66	25	14	50	66	28	-	-	590



ELESA and GANTER models all rights reserved in accordance with the law. Always mention the source when reproducing our drawings.

STANDARD MACHINE ELEMENTS WORLDWIDE