

GN 333.6



GN 333.7



Stainless Steel-Tubular handles

SPECIFICATION

- Tube \varnothing 28 x 2
- Stainless Steel
- AISI 304
- ground, matte shiny finish
- Handle legs
- Stainless Steel-precision casting
- AISI CF-8
- matte shot-blasted

INFORMATION

With the Stainless Steel-Tubular handles GN 333.6, the handle legs and the handle tube are pressed together.
A typical application for tubular handles is on double-winged doors for machines or devices.

TECHNICAL INFORMATION

- Stainless Steel characteristics (see page A26)

Stainless Steel-Tubular handles

SPECIFICATION

- Handle tube \varnothing 28 x 2
- Stainless Steel
- AISI 304
- ground, matte shiny finish
- Handle legs
- Stainless Steel-precision casting
- AISI CF-8
- matte shot-blasted

INFORMATION

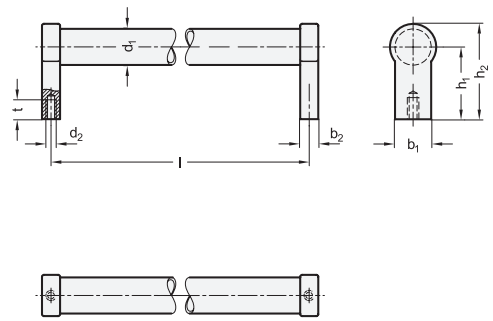
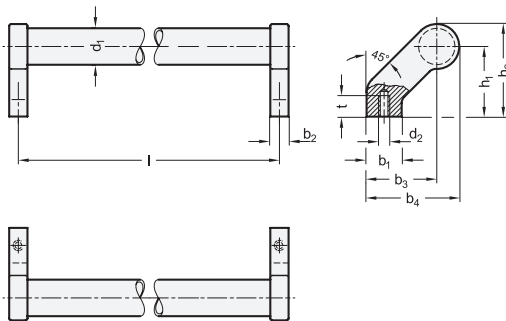
With the Stainless Steel-Tubular handles GN 333.7, the handle legs and the handle tube are pressed together.

TECHNICAL INFORMATION

- Stainless Steel characteristics (see page A26)

ON REQUEST

- Stainless Steel-Tubular handles GN 333.5 (see page 506) (Handle tube and handle legs are gap-free and tight fit connected by laser welding)



GN 333.6

STAINLESS STEEL

Description	d1	l	b1	b2	b3	b4	d2	h1	h2	t	Δ
	± 0.5									min.	
GN 333.6-28-200	28	200	25	14	50	66	M 8	50	66	15	605
GN 333.6-28-250	28	250	25	14	50	66	M 8	50	66	15	670
GN 333.6-28-300	28	300	25	14	50	66	M 8	50	66	15	730
GN 333.6-28-400	28	400	25	14	50	66	M 8	50	66	15	845
GN 333.6-28-500	28	500	25	14	50	66	M 8	50	66	15	980
GN 333.6-28-600	28	600	25	14	50	66	M 8	50	66	15	1060

GN 333.7

STAINLESS STEEL

Description	d1	l	b1	b2	d2	h1	h2	t	Δ
	± 0.5							min.	
GN 333.7-28-200	28	200	25	14	M 8	50	66	15	514
GN 333.7-28-250	28	250	25	14	M 8	50	66	15	560
GN 333.7-28-300	28	300	25	14	M 8	50	66	15	626
GN 333.7-28-400	28	400	25	14	M 8	50	66	15	766
GN 333.7-28-500	28	500	25	14	M 8	50	66	15	881
GN 333.7-28-600	28	600	25	14	M 8	50	66	15	990

