

GN 332



Tubular handles with power switching function

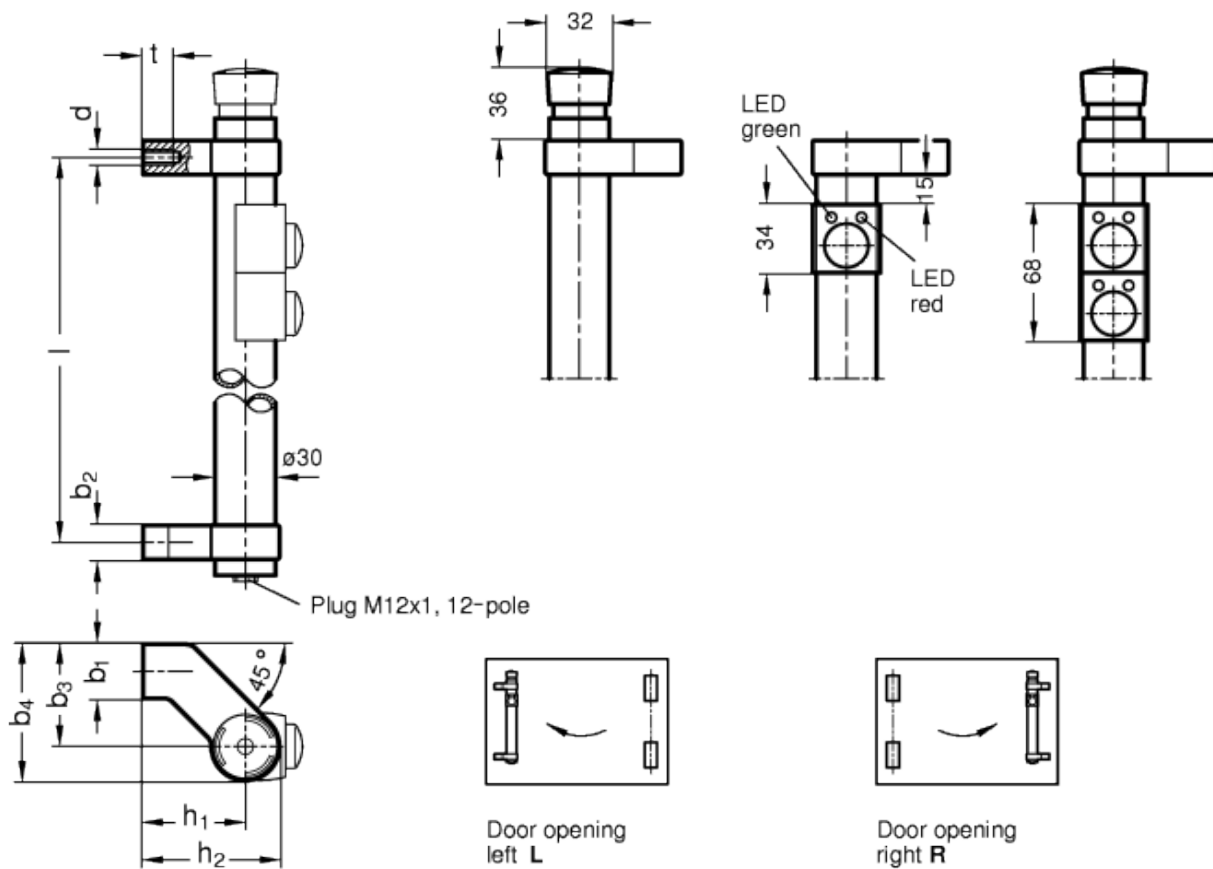


Application example (Door with right opening):

with emergency stop

with one button

with emergency stop
and 2 buttons



Aluminium tube

- Version SW: RAL 9005 black, matte finish, epoxy resin coating.
- Version EL: anodised, natural colour, matte finish.

Handle shanks

Zinc alloy die-cast, RAL 9005 black colour, matte finish, epoxy resin coating.

Cover caps

Plastic, light grey (for version without emergency stop).

Types

- Type T0: without button.
- Type T1: with one button.
- Type T2: with two buttons.

Emergency stop

- Identification no. 1: without emergency stop.
- Identification no. 2: with emergency stop.

Door opening

- Left L.
- Right R.

Features and applications

Tubular handles GN 332 with power switching function are suitable for unlocking safety tumblers in rotating, detachable or side-sliding safety devices which must be closed in order to safeguard the required operational safety.

By integrating functions such as emergency stop, start, release, reset and LED status display, this tubular handle allows the machine to be monitored and operated directly at the door or gate.

Tubular handles GN 332 save mounting and installation work, are attractively designed and optimise ergonomics: the switching and operating functions are located precisely where they are needed.

Characteristics of the standard executions GN 332

The tubular handles have the CE marking
low voltage guideline 06 / 95 / EG

Emergency stop:	2 channel		
1. Button: Release button:	Changeover contact		
	2 LED, red and green		
2. Button: Start button:	Maker		
Button colour:	for each button a set of caps is included, in this colours: red, green, blue		
Switching voltage:	max. 30 V AC max. 1,5 A		
Operating voltage (LEDs):	24 V DC ± 15%		
Contact termination:	M12x1, 12-pole		
Pin configuration:			
Protection class:	IP 67		
Connection cable:	Socket for plug connection M12x1, 12-pole PUR-cable (12 x 0,14 mm²)		

straight G	
angled W	
Lenghts 5 meters	
10 meters	

How to order

Connection cable
GN 330-M12x1-12-G- 5
G-10

Connection cable
GN 330-M12x1-12-W- 5
W-10

Additional variations as special application

Emergency stop:	1 channel		
Number of buttons > 2			
Button optional with	Maker		
	Breaker		
	Changeover contact		
Button with labelling area			

Standard Elements	Main dimensions									Weight
Description	Length l ± 0.25	d	b ₁	b ₂	b ₃	b ₄	h ₁	h ₂	t _{min.}	g
GN 332-200-SW-T0-1-R	200	M8	27	17	51	68	51	68	15	430
GN 332-200-SW-T0-1-L	200	M8	27	17	51	68	51	68	15	574
GN 332-200-EL-T0-1-R	200	M8	27	17	51	68	51	68	15	550
GN 332-200-EL-T0-1-L	200	M8	27	17	51	68	51	68	15	480
GN 332-200-SW-T0-2-R	200	M8	27	17	51	68	51	68	15	450
GN 332-200-SW-T0-2-L	200	M8	27	17	51	68	51	68	15	500
GN 332-200-EL-T0-2-R	200	M8	27	17	51	68	51	68	15	570
GN 332-200-EL-T0-2-L	200	M8	27	17	51	68	51	68	15	500
GN 332-200-SW-T1-1-R	200	M8	27	17	51	68	51	68	15	500
GN 332-200-SW-T1-1-L	200	M8	27	17	51	68	51	68	15	540
GN 332-200-EL-T1-1-R	200	M8	27	17	51	68	51	68	15	700
GN 332-200-EL-T1-1-L	200	M8	27	17	51	68	51	68	15	570
GN 332-200-SW-T1-2-R	200	M8	27	17	51	68	51	68	15	561
GN 332-200-SW-T1-2-L	200	M8	27	17	51	68	51	68	15	590
GN 332-200-EL-T1-2-R	200	M8	27	17	51	68	51	68	15	580
GN 332-200-EL-T1-2-L	200	M8	27	17	51	68	51	68	15	588
GN 332-200-SW-T2-1-R	200	M8	27	17	51	68	51	68	15	468
GN 332-200-SW-T2-1-L	200	M8	27	17	51	68	51	68	15	650
GN 332-200-EL-T2-1-R	200	M8	27	17	51	68	51	68	15	604
GN 332-200-EL-T2-1-L	200	M8	27	17	51	68	51	68	15	600
GN 332-200-SW-T2-2-R	200	M8	27	17	51	68	51	68	15	470
GN 332-200-SW-T2-2-L	200	M8	27	17	51	68	51	68	15	700
GN 332-200-EL-T2-2-R	200	M8	27	17	51	68	51	68	15	604
GN 332-200-EL-T2-2-L	200	M8	27	17	51	68	51	68	15	605
GN 332-300-SW-T0-1-R	300	M8	27	17	51	68	51	68	15	750
GN 332-300-SW-T0-1-L	300	M8	27	17	51	68	51	68	15	760
GN 332-300-EL-T0-1-R	300	M8	27	17	51	68	51	68	15	660
GN 332-300-EL-T0-1-L	300	M8	27	17	51	68	51	68	15	680
GN 332-300-SW-T0-2-R	300	M8	27	17	51	68	51	68	15	770
GN 332-300-SW-T0-2-L	300	M8	27	17	51	68	51	68	15	760
GN 332-300-EL-T0-2-R	300	M8	27	17	51	68	51	68	15	670
GN 332-300-EL-T0-2-L	300	M8	27	17	51	68	51	68	15	695
GN 332-300-SW-T1-1-R	300	M8	27	17	51	68	51	68	15	749
GN 332-300-SW-T1-1-L	300	M8	27	17	51	68	51	68	15	561
GN 332-300-EL-T1-1-R	300	M8	27	17	51	68	51	68	15	700
GN 332-300-EL-T1-1-L	300	M8	27	17	51	68	51	68	15	720
GN 332-300-SW-T1-2-R	300	M8	27	17	51	68	51	68	15	770
GN 332-300-SW-T1-2-L	300	M8	27	17	51	68	51	68	15	780
GN 332-300-EL-T1-2-R	300	M8	27	17	51	68	51	68	15	730
GN 332-300-EL-T1-2-L	300	M8	27	17	51	68	51	68	15	740
GN 332-300-SW-T2-1-R	300	M8	27	17	51	68	51	68	15	790
GN 332-300-SW-T2-1-L	300	M8	27	17	51	68	51	68	15	780

GN 332-300-EL-T2-1-R	300	M8	27	17	51	68	51	68	15	752
GN 332-300-EL-T2-1-L	300	M8	27	17	51	68	51	68	15	752
GN 332-300-SW-T2-2-R	300	M8	27	17	51	68	51	68	15	800
GN 332-300-SW-T2-2-L	300	M8	27	17	51	68	51	68	15	800
GN 332-300-EL-T2-2-R	300	M8	27	17	51	68	51	68	15	770
GN 332-300-EL-T2-2-L	300	M8	27	17	51	68	51	68	15	770



STANDARD MACHINE ELEMENTS WORLDWIDE