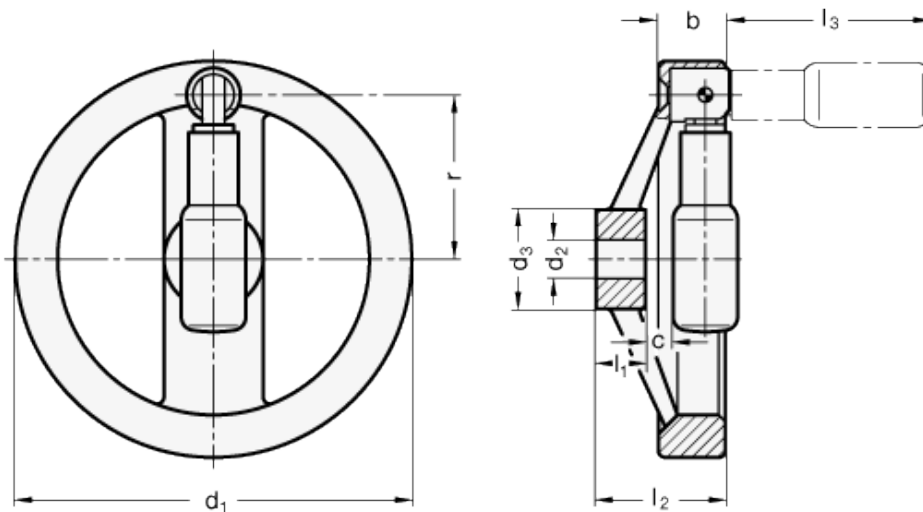


GN 322.7

Spoked handwheels with safety fold-away handle



technical informations

Material

Aluminium, fine sandblasted matte surface, turned and mirror-polished rim.

Fold-away handle

[GN 598.7](#) (type KU) phenolic based (PF) Duroplast, black colour. Resistant to solvents, oils, greases and other chemical agents.

Assembly

- Version B: hub with H7 tolerance plain hole.
 - Version K: hub with H7 reamed hole with keyway in compliance with [DIN 6885/1 P9 tolerance](#).
- For fixing GN 322.7 on shafts by a grub screw see [Technical Data](#).
- Type R: with revolving retractable handle

Accessories on request

Axial retaining washer type [GN 184](#).

Technical data

Axial and radial runout lower than 0.4.

Standard Elements	Main dimensions										Weight
Description	d ₁	d _{2 H7}	d ₃	b	c	l ₁	l ₂	l ₃	r	Ø	g
GN 322.7-125-B12-R	125	B 12	31	24.5	7.5	18	44	61.5	50	22	456
GN 322.7-125-K12-R	125	K 12	31	24.5	7.5	18	44	61.5	50	22	454
GN 322.7-140-B14-R	140	B 14	36	24.5	7	19	45.5	76.5	57.5	24	540
GN 322.7-140-K14-R	140	K 14	36	24.5	7	19	45.5	76.5	57.5	24	538
GN 322.7-160-B14-R	160	B 14	36	25	7.5	20	47	76.5	67.5	24	671
GN 322.7-160-K14-R	160	K 14	36	25	7.5	20	47	76.5	67.5	24	669
GN 322.7-160-B16-R	160	B 16	36	25	7.5	20	47	76.5	67.5	24	667
GN 322.7-160-K16-R	160	K 16	36	25	7.5	20	47	76.5	67.5	24	665
GN 322.7-200-B18-R	200	B 18	42	25	8.5	24	52.5	86.5	84	25	952
GN 322.7-200-K18-R	200	K 18	42	25	8.5	24	52.5	86.5	84	25	949
GN 322.7-200-B20-R	200	B 20	42	25	8.5	24	52.5	86.5	84	25	947
GN 322.7-200-K20-R	200	K 20	42	25	8.5	24	52.5	86.5	84	25	944
GN 322.7-250-B22-R	250	B 22	48	26.5	13	28	61	86.5	111	25	1362
GN 322.7-250-K22-R	250	K 22	48	26.5	13	28	61	86.5	111	25	1358



STANDARD MACHINE ELEMENTS WORLDWIDE