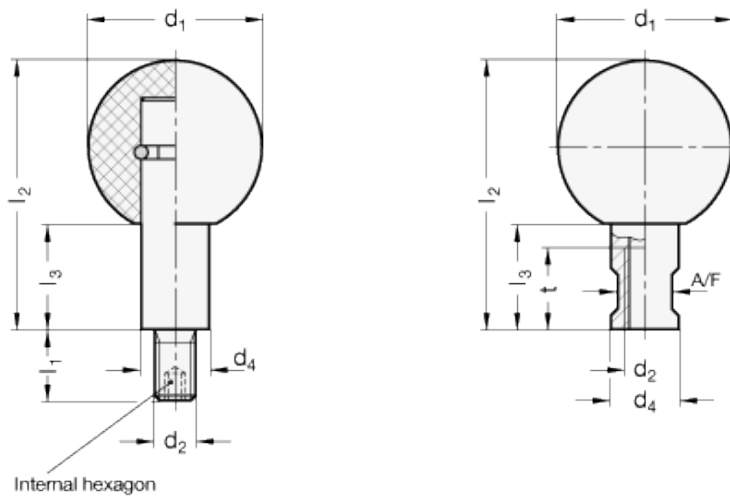


GN 319.5

Revolving ball knobs



technical informations

Knob

Phenolic based (PF) Duroplast. Temperature resistant up to 110 °C. Resistant to solvents, oils, greases and other chemical agents.

Colour

Black, glossy shiny finish.

Shaft

AISI 303 stainless steel, matte shot-blasted.

Features and applications

Revolving ball knobs GN 319.5 can be utilized instead of revolving handles i.e. with handwheels.

Description	d ₁	d ₂	d ₄	l ₁	l _{2 ±1}	l _{3 ±1}	A/F	t _{min.}	g
GN 319.5-25-M6-A	25	M6	10	11	37.5	15	8	-	29
GN 319.5-25-M6-B	25	M6	10	-	37.5	15	8	10	24
GN 319.5-32-M8-A	32	M8	13	13	48	19	10	-	52
GN 319.5-32-M8-B	32	M8	13	-	48	19	10	12	52
GN 319.5-40-M10-A	40	M10	16	14	61	24	14	-	120
GN 319.5-40-M10-B	40	M10	16	-	61	24	14	16	100
GN 319.5-50-M12-A	50	M12	20	21	78	31	17	-	120
GN 319.5-50-M12-B	50	M12	20	-	78	31	17	16	110



STANDARD MACHINE ELEMENTS WORLDWIDE