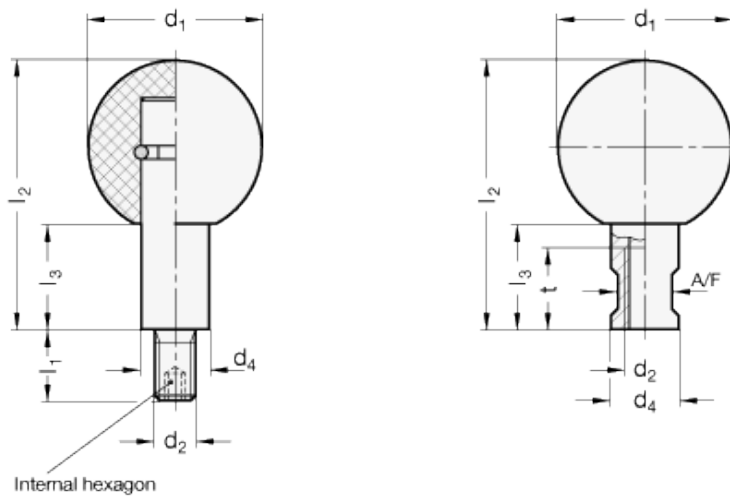


# GN 319.2

Revolving ball knobs



## technical informations

### Knob

Phenolic based (PF) Duroplast. Temperature resistant up to 110 °C. Resistant to solvents, oils, greases and other chemical agents.

### Colour

Black, glossy finish.

### Shaft

Zinc-plated steel, blue passivated.

### Features and applications

Revolving ball knobs GN 319.2 can be utilized instead of revolving handles i.e. with handwheels.

Description	d <sub>1</sub>	d <sub>2</sub>	d <sub>4</sub>	l <sub>1</sub>	l <sub>2 ±1</sub>	l <sub>3 ±1</sub>	A/F	t <sub>min.</sub>	g
GN 319.2-25-M6-A	25	M6	10	11	37.5	15	8	-	29
GN 319.2-25-M6-B	25	M6	10	-	37.5	15	8	10	24
GN 319.2-32-M8-A	32	M8	13	13	48	19	10	-	63
GN 319.2-32-M8-B	32	M8	13	-	48	19	10	12	63
GN 319.2-40-M10-A	40	M10	16	14	61	24	14	-	120
GN 319.2-40-M10-B	40	M10	16	-	61	24	14	16	99
GN 319.2-50-M12-A	50	M12	20	21	78	31	17	-	237
GN 319.2-50-M12-B	50	M12	20	-	78	31	17	16	229



STANDARD MACHINE ELEMENTS WORLDWIDE