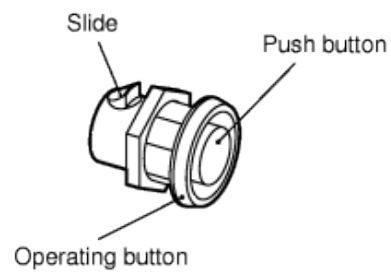
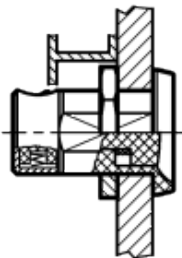
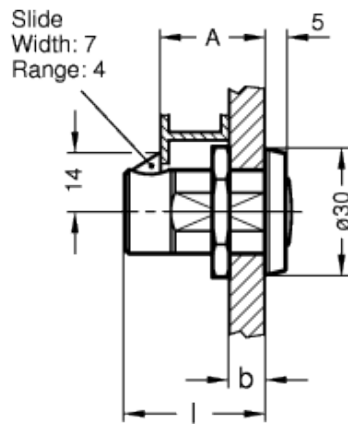


GN 315.1

Snap locks



technical informations

Lock housing

Zinc pressure die-cast, corrosion-resistant ZNDG Pass. nano@-coating , anthracite coloured.

Locating ring

Additionally plastic coated black, textured finish.

Slide

Polyamide based (PA) technopolymer, plastic, black.

Push button

Polyamide based (PA) technopolymer, plastic, light grey.

Hexagon nut

Zinc-plated steel.

Features and applications

Snap locks GN 315.1 are characterised by a radial, spring-loaded slide causing the locking action. When the door is closed, the locking action sets in automatically: the chamfered slide is first pushed back via an appropriately arranged lug and then moved into the locking position by the pressure spring.

The door is unlocked via the push button.

To operate the doors, these snap locks are fitted with an operating button.

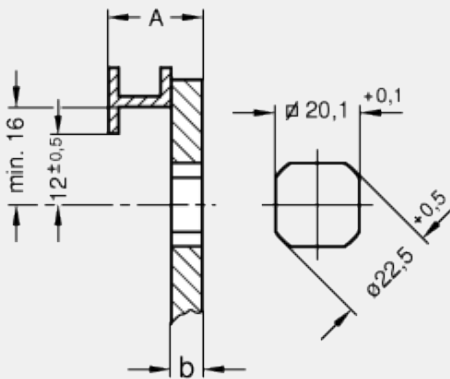
If no operating element is needed to operate the door or if such element is arranged separately, GN 315.1 snap locks are used in every other instance.

Assembly instructions

With these snap locks, doors or flaps can be locked but not clamped in place. For this reason it is important that the closing distance A (door + sash width) is accurately positioned.

To mount, set a borehole in the door as shown in the outline drawing opposite. The snap lock can be pushed through the borehole from the front, the hex nut can be fitted from the back.

For bringing in the assembly drilling, the sheet metal punch [GN 123](#) is suitable.



Standard Elements	Main dimensions			Weight
	A	b	l	
Description				g
GN 315.1-20	20	12	28.5	60
GN 315.1-25	25	17	33.5	79

