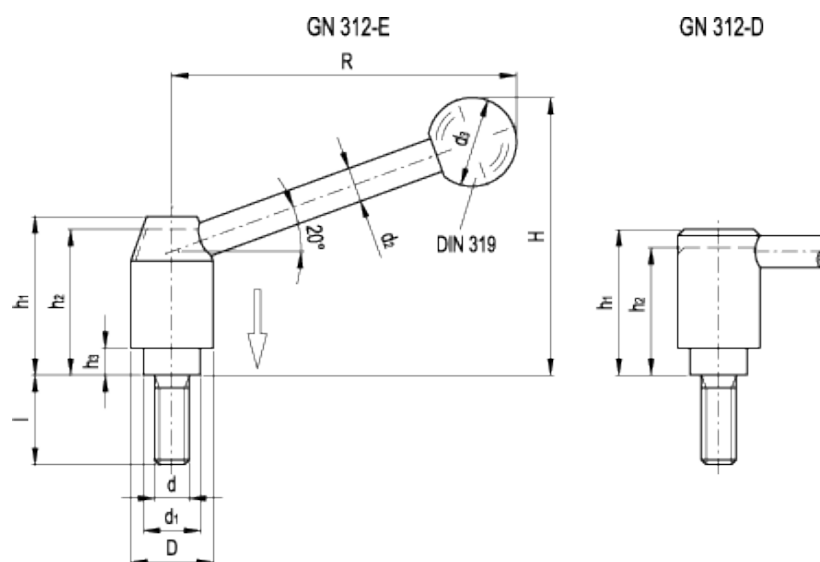


GN 312

Safety tension levers



technical informations

Material

Black-oxide steel.

Handle

Plastic ball knob [DIN 319](#), black colour.

Clamping element

Black-oxide steel threaded stud with return spring and toothed element for coupling to the lever body.

Standard executions available

- Execution E: angled lever.
- Execution D: straight lever.

Features and applications

Safety tension levers GN 312 are used on such applications where a thoughtless or mistaken releasing or re-positioning of the tension lever could lead to an accident.

The lever in its rest position is not connected with the internal spindle and can be rotated unhindered.

The tension lever engages in the serration only after pushing it down, thus allowing clamping or unclamping.

The "freewheel" position is re-established as soon as the handle is released.

Standard Elements	Main dimensions									Thread		Weight
Description	D	R	H~	h ₁	h ₂	h ₃	d ₁	d ₂	d ₃	d	l	g
GN 312-21-M8-16-E	21	75.5	62	37	34	4.5	13.5	8	20	M8	16	108
GN 312-21-M8-16-D	21	80.5	-	34.5	31.5	4.5	13.5	8	20	M8	16	108
GN 312-21-M8-20-E	21	75.5	62	37	34	4.5	13.5	8	20	M8	20	109
GN 312-21-M8-20-D	21	80.5	-	34.5	31.5	4.5	13.5	8	20	M8	20	109
GN 312-21-M8-25-E	21	75.5	62	37	34	4.5	13.5	8	20	M8	25	111
GN 312-21-M8-25-D	21	80.5	-	34.5	31.5	4.5	13.5	8	20	M8	25	111
GN 312-21-M8-32-E	21	75.5	62	37	34	4.5	13.5	8	20	M8	32	113
GN 312-21-M8-32-D	21	80.5	-	34.5	31.5	4.5	13.5	8	20	M8	32	113
GN 312-21-M8-40-E	21	75.5	62	37	34	4.5	13.5	8	20	M8	40	116
GN 312-21-M8-40-D	21	80.5	-	34.5	31.5	4.5	13.5	8	20	M8	40	116
GN 312-21-M8-50-E	21	75.5	62	37	34	4.5	13.5	8	20	M8	50	118
GN 312-21-M8-50-D	21	80.5	-	34.5	31.5	4.5	13.5	8	20	M8	50	118
GN 312-21-M8-63-E	21	75.5	62	37	34	4.5	13.5	8	20	M8	63	123
GN 312-21-M8-63-D	21	80.5	-	34.5	31.5	4.5	13.5	8	20	M8	63	123
GN 312-24-M10-20-E	24	101	79	44	40.5	6.5	16	10	25	M10	20	179
GN 312-24-M10-20-D	24	108	-	41	37.5	6.5	16	10	25	M10	20	181
GN 312-24-M10-25-E	24	101	79	44	40.5	6.5	16	10	25	M10	25	181
GN 312-24-M10-25-D	24	108	-	41	37.5	6.5	16	10	25	M10	25	183
GN 312-24-M10-32-E	24	101	79	44	40.5	6.5	16	10	25	M10	32	184
GN 312-24-M10-32-D	24	108	-	41	37.5	6.5	16	10	25	M10	32	186
GN 312-24-M10-40-E	24	101	79	44	40.5	6.5	16	10	25	M10	40	188
GN 312-24-M10-40-D	24	108	-	41	37.5	6.5	16	10	25	M10	40	190
GN 312-24-M10-50-E	24	101	79	44	40.5	6.5	16	10	25	M10	50	194
GN 312-24-M10-50-D	24	108	-	41	37.5	6.5	16	10	25	M10	50	196
GN 312-24-M10-63-E	24	101	79	44	40.5	6.5	16	10	25	M10	63	201
GN 312-24-M10-63-D	24	108	-	41	37.5	6.5	16	10	25	M10	63	203
GN 312-24-M10-80-E	24	101	79	44	40.5	6.5	16	10	25	M10	80	208
GN 312-24-M10-80-D	24	108	-	41	37.5	6.5	16	10	25	M10	80	210
GN 312-28-M12-20-E	28	116	93	53	49	8.5	19	12	30	M12	20	299
GN 312-28-M12-20-D	28	124	-	49	45	8.5	19	12	30	M12	20	296
GN 312-28-M12-25-E	28	116	93	53	49	8.5	19	12	30	M12	25	304
GN 312-28-M12-25-D	28	124	-	49	45	8.5	19	12	30	M12	25	301
GN 312-28-M12-32-E	28	116	93	53	49	8.5	19	12	30	M12	32	309
GN 312-28-M12-32-D	28	124	-	49	45	8.5	19	12	30	M12	32	306
GN 312-28-M12-40-E	28	116	93	53	49	8.5	19	12	30	M12	40	314
GN 312-28-M12-40-D	28	124	-	49	45	8.5	19	12	30	M12	40	311
GN 312-28-M12-50-E	28	116	93	53	49	8.5	19	12	30	M12	50	321

GN 312-28-M12-50-D	28	124	-	49	45	8.5	19	12	30	M12	50	318
GN 312-28-M12-63-E	28	116	93	53	49	8.5	19	12	30	M12	63	331
GN 312-28-M12-63-D	28	124	-	49	45	8.5	19	12	30	M12	63	328
GN 312-28-M12-80-E	28	116	93	53	49	8.5	19	12	30	M12	80	342
GN 312-28-M12-80-D	28	124	-	49	45	8.5	19	12	30	M12	80	339
GN 312-33-M16-32-E	33	131.5	105	60	55.5	10.5	23	12	32	M16	32	466
GN 312-33-M16-32-D	33	140.5	-	56	51.5	10.5	23	12	32	M16	32	458
GN 312-33-M16-40-E	33	131.5	105	60	55.5	10.5	23	12	32	M16	40	477
GN 312-33-M16-40-D	33	140.5	-	56	51.5	10.5	23	12	32	M16	40	469
GN 312-33-M16-50-E	33	131.5	105	60	55.5	10.5	23	12	32	M16	50	492
GN 312-33-M16-50-D	33	140.5	-	56	51.5	10.5	23	12	32	M16	50	484
GN 312-33-M16-63-E	33	131.5	105	60	55.5	10.5	23	12	32	M16	63	508
GN 312-33-M16-63-D	33	140.5	-	56	51.5	10.5	23	12	32	M16	63	500
GN 312-33-M16-80-E	33	131.5	105	60	55.5	10.5	23	12	32	M16	80	530
GN 312-33-M16-80-D	33	140.5	-	56	51.5	10.5	23	12	32	M16	80	522



STANDARD MACHINE ELEMENTS WORLDWIDE