

Adjustable hand levers

for set collars

SPECIFICATION

Handle
 Zinc die casting
 plastic coated
 black, RAL 9005, textured finish **SW**
 Threaded insert
 Stainless Steel AISI 303
 Retaining screw
 Stainless Steel AISI 304

INFORMATION

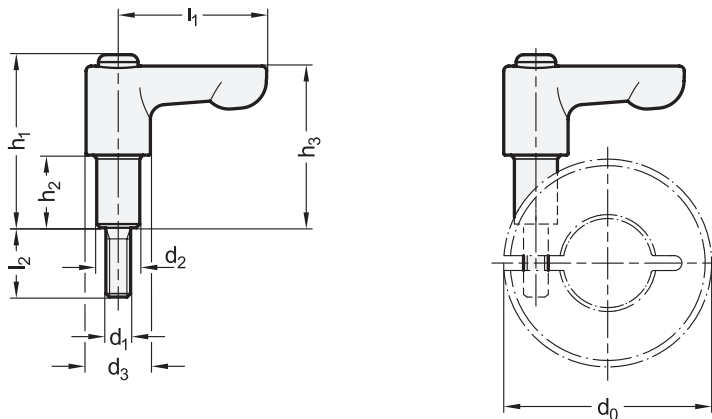
For set collars of the standard families GN 706... and GN 707..., the clamping kits GN 311 replace the hexagon socket screw DIN 912. That allows the set collars to be adjusted easily and quickly without tools.
 The table of dimensions of the set collars shows the corresponding hand lever for the respective set collar size d1.
 Under GN 706.4 (see page 959), semi-split set collars GN 706.2 (see page 954) are generally offered with clamping levers.

TECHNICAL INFORMATION

- Stainless Steel characteristics (see page A26)

ACCESSORY

- Adjustable hand lever GN 311 (see page)
 - Damping washer GN 7062.30 (see page)



GN 311

Description	d0	l1	d1	h2	d2	d3	l2	h1	h3	⚖
GN 311-30-M4-12-SW	30 / 32	30	M 4	12	7.2	13	12	32	30	29
GN 311-30-M5-13-SW	36	30	M 5	13	8.7	13	14	33.5	31	32
GN 311-30-M5-15-SW	42	30	M 5	15	8.7	13	14	35	33	34
GN 311-45-M5-16-SW	48	45	M 5	16	8.7	13	16	36.5	34	40
GN 311-45-M6-18-SW	55	45	M 6	18	10	13	16	38.5	36	45
GN 311-45-M6-19-SW	60	45	M 6	19	10	13	16	39.5	37	46
GN 311-45-M6-20-SW	65	45	M 6	20	10	13	18	40.5	38	47